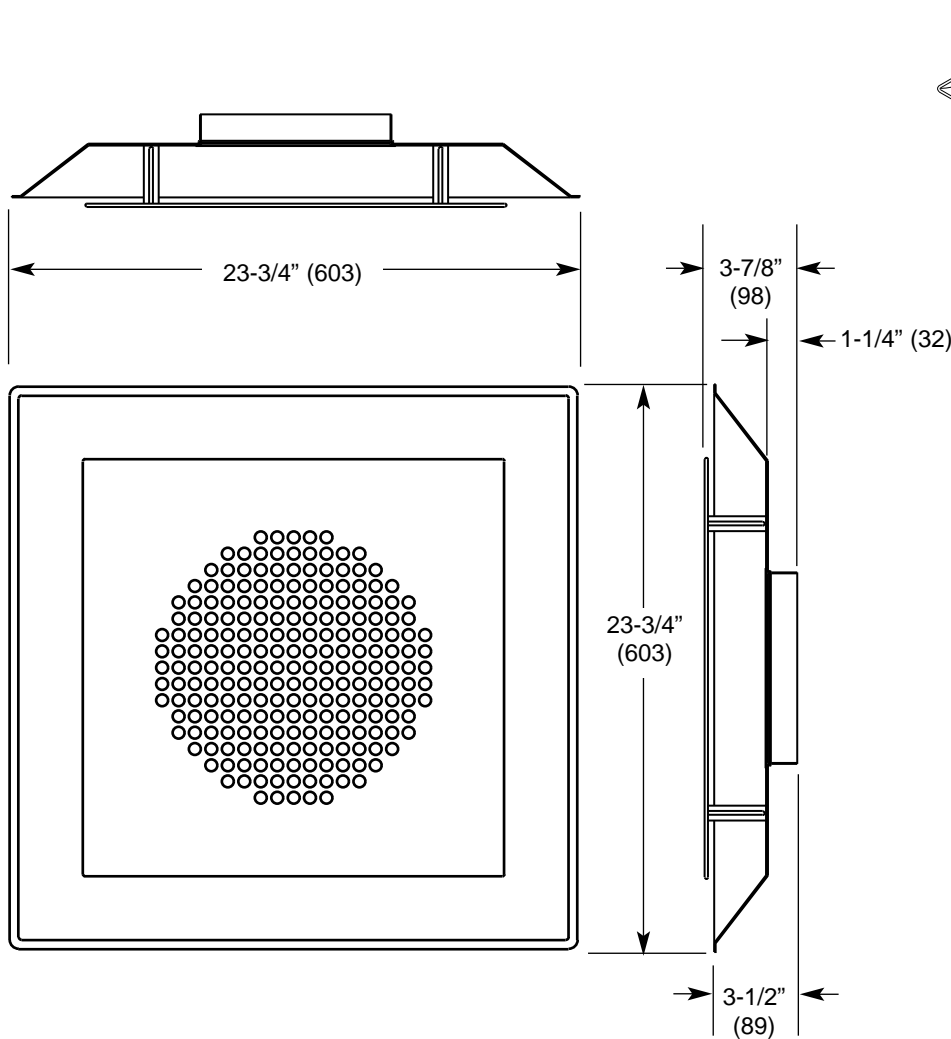


## Plaque Diffuser With Perforated Face Steel Round Neck T-Bar Mount

Imperial [IP] Dimensions  
Metric (SI) in Parentheses

CARNES COMPANY 448 S. Main St., P. O. Box 930040, Verona, WI 53593-0040 Phone: (608)845-6411 Fax: (608)845-6504 www.carnes.com



**Notes:**

1. The core is easily removable by compressing the locking spring and rotating the core counter-clockwise.
2. The standard finish is electrocoat acrylic baked enamel. Other finishes are available upon request.
3. The standard color is #11 Bright White. Other colors are available on request.
4. Inlet is undersized by 1/8" (3) to fit into the duct.
5. To mount this diffuser in a plaster ceiling, use KXFA Auxiliary Frame.
6. The holes in the plaque face are 1/2" (13) diameter round holes on 3/4" (19) centers. The pattern is designed to give 50% horizontal flow and 50% vertical flow.
7. The size of the hole pattern varies with the size of the inlet. Inlet size 12 is shown above.

Metric Dimensions are in Millimeters		
Model	Nominal Duct Diameter	Inlet O. D. (Dim. A)
SFHA 2406	6" (152)	5-7/8" (149)
SFHA 2408	8" (203)	7-7/8" (200)
SFHA 2410	10" (254)	9-7/8" (251)
SFHA 2412	12" (305)	11-7/8" (302)
SFHA 2414	14" (356)	13-7/8" (352)
SFHA 2416	16" (406)	15-7/8" (403)