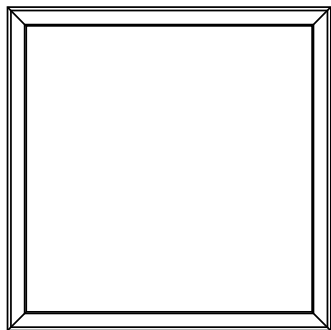
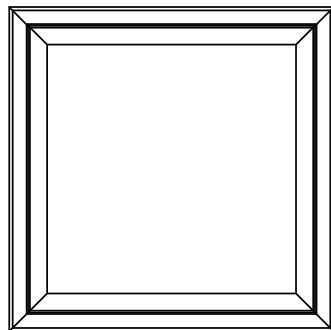


Imperial [IP] Dimensions
Metric (SI) in Parentheses

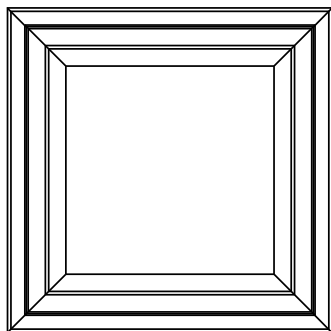
CARNES COMPANY 448 S. Main St., P. O. Box 930040, Verona, WI 53593-0040 Phone: (608)845-6411 Fax: (608)845-6504 www.carnes.com



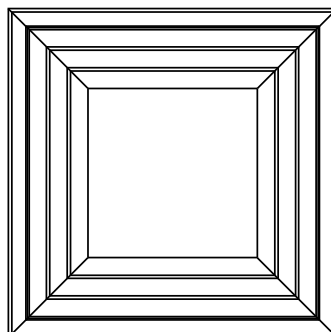
1-Slot



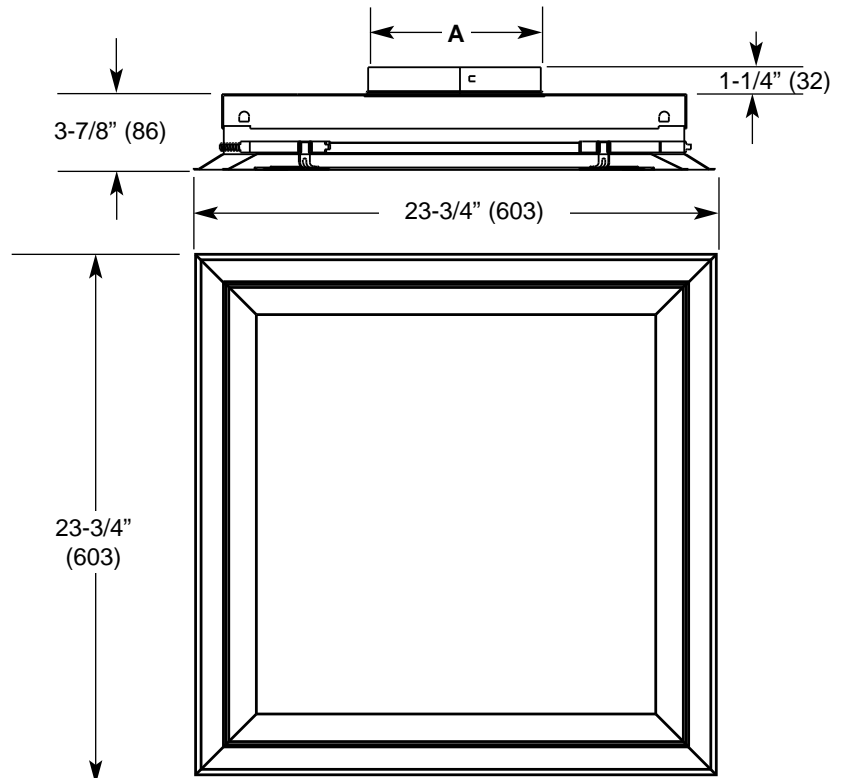
2-Slot



3-Slot



4-Slot



Notes:

1. Standard Color is #11 Bright White. Other colors are available on request.
2. Standard Finish is electrocoat acrylic baked enamel. Other finishes are available on request.
3. Material is steel.
4. Round inlet is Listed Size minus 1/8" (3) to fit inside duct.
5. 2-slot unit shown above.

METRIC DIMENSIONS ARE IN MILLIMETERS

Model	Nominal Neck Size	Neck O. D. (Dim. A)
SKPB_21211106	6" (152)	5-7/8" (149)
SKPB_21211108	8" (203)	7-7/8" (200)
SKPB_21211110	10" (254)	9-7/8" (251)
SKPB_21211112	12" (305)	11-7/8" (302)
SKPB_21211114	14" (356)	13-7/8" (352)