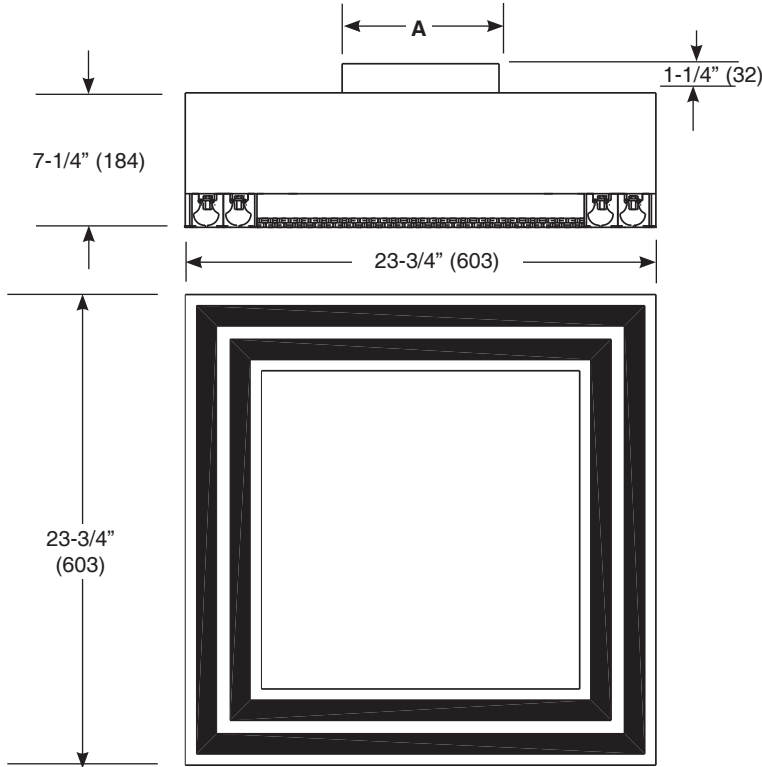
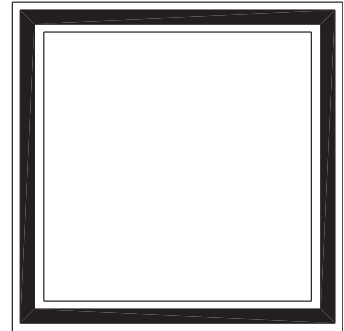


**Imperial [IP] Dimensions**  
**Metric (SI) in Parentheses**

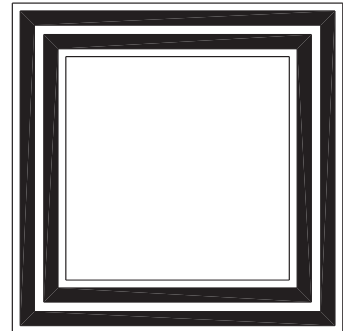
CARNES COMPANY, 448 S. Main St., P. O. Box 930040, Verona, WI 53593-0040 Phone (608) 845-6411 Fax: (608) 845-6504 carnes@carnes.com



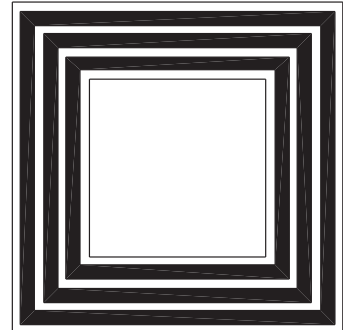
1-Slot



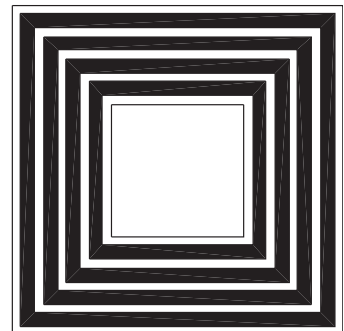
2-Slot



3-Slot



4-Slot



**NOTES:**

1. Standard Color is #11 Bright White. Other colors are available on request.
2. Standard Finish is electrocoat acrylic baked enamel. Other finishes are available on request.
3. Frame pattern controls are extruded aluminum construction, while backpan is made of steel.
4. Backpan is easily removable for installation of acoustic ceiling tile.
5. Acoustic ceiling tile is to be furnished by others.

Metric Dimensions are in Millimeters		
Model	Nominal Neck Size	Neck O. D. (Dim. A)
SJSM__0611	6" (152)	5-7/8" (149)
SJSM__0811	8" (203)	7-7/8" (200)
SJSM__1011	10" (254)	9-7/8" (251)
SJSM__1211	12" (305)	11-7/8" (302)
SJSM__1411	14" (356)	13-7/8" (352)