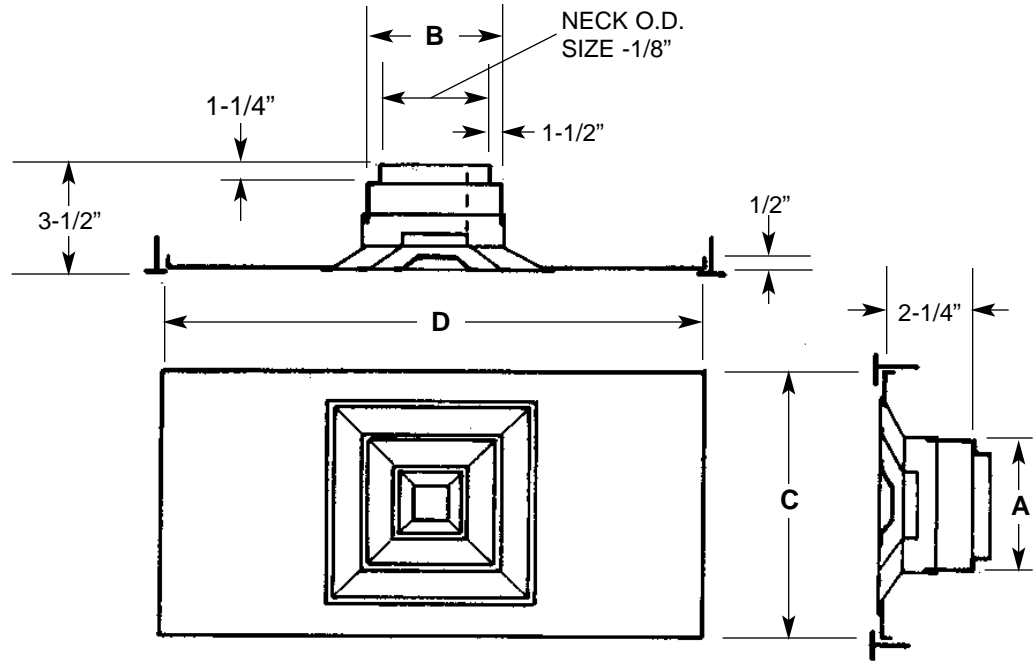
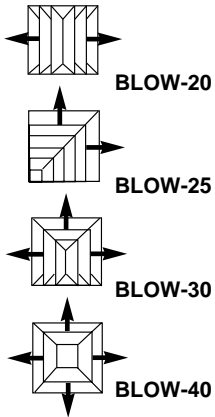


Imperial [IP] Dimensions  
Metric (SI) on Reverse

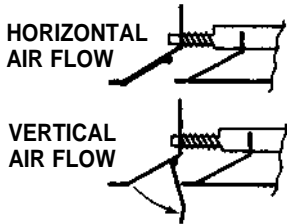
## Square and Rectangular Diffusers Adjustable with Round Neck Option — T-Bar Lay In

CARNES COMPANY 448 S. Main St., P. O. Box 930040, Verona, WI 53593-0040 Phone: (608)845-6411 Fax: (608)845-6504 www.carnes.com

### SQUARE



### ADJUSTMENT



Two spring loaded pins, four pin suspension to ceiling plate. Removable and interchangeable center core assembly.

### Notes:

- ① Order standard SKEJ which has an outside of 11-13/16" x 11-13/16".
- ② Order standard SKEJ which has an outside of 23-13/16" x 23-13/16".
- ③ Standard finish is Carnes No. 11 White electrocoat.

For other sizes and panel sizes contact Carnes Company Sales Department.

### DIMENSIONS LISTED IN INCHES

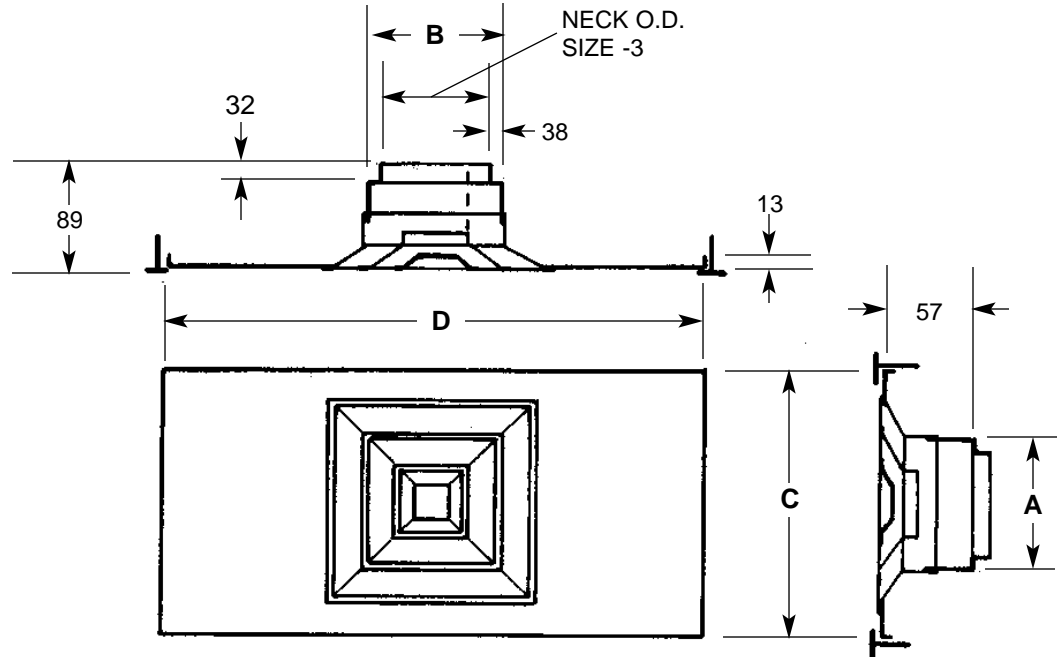
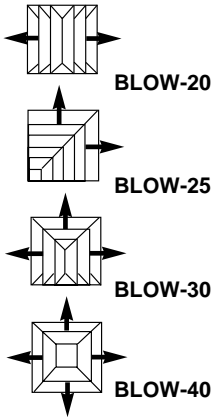
NECK SIZE	SIZE A x B	PANEL - C x D				
		11-3/4 x 11-3/4	11-3/4 x 23-3/4	23-3/4 x 23-3/4	23-3/4 x 47-3/4	47-3/4 x 47-3/4
4	6 x 6					
5	6 x 6					
6	6 x 6					
6	9 x 9			NA = Not Available		
8	9 x 9	①				
9	9 x 9	①				
10	12 x 12	NA	NA			
12	12 x 12	NA	NA			
12	15 x 15	NA	NA			
14	15 x 15	NA	NA			
15	15 x 15	NA	NA			
16	18 x 18	NA	NA			
18	18 x 18	NA	NA			
18	21 x 21	NA	NA	②		
20	21 x 21	NA	NA	②		
21	21 x 21	NA	NA	②		
22	24 x 24	NA	NA	NA	NA	
24	24 x 24	NA	NA	NA	NA	

Metric (SI) Dimensions  
Imperial [IP] on Reverse

### Square and Rectangular Diffusers Adjustable with Round Neck Option — T-Bar Lay In

CARNES COMPANY 448 S. Main St., P. O. Box 930040, Verona, WI 53593-0040 Phone: (608)845-6411 Fax: (608)845-6504 www.carnes.com

#### SQUARE

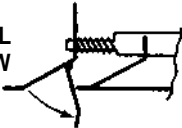


#### ADJUSTMENT

HORIZONTAL  
AIR FLOW



VERTICAL  
AIR FLOW



Two spring loaded pins,  
four pin suspension to  
ceiling plate. Removable  
and interchangeable  
center core assembly.

#### Notes:

- ① Order standard SKEJ which has an outside of 299mm x 299mm.
- ② Order standard SKEJ which has an outside of 603mm x 603mm.
- ③ Standard finish is Carnes No. 11 White electrocoat.

For other sizes and panel sizes contact  
Carnes Company Sales Department.

#### DIMENSIONS LISTED IN MILLIMETERS

NECK SIZE	SIZE A x B	PANEL - C x D				
		299 x 299	299 x 603	603 x 603	603 x 1213	1213 x 1213
102	6 x 6					
127	6 x 6					
152	6 x 6					
152	9 x 9					
203	9 x 9	①				NA = Not Available
229	9 x 9	①				
254	12 x 12	NA	NA			
305	12 x 12	NA	NA			
305	15 x 15	NA	NA			
356	15 x 15	NA	NA			
381	15 x 15	NA	NA			
406	18 x 18	NA	NA			
457	18 x 18	NA	NA			
457	21 x 21	NA	NA	②		
508	21 x 21	NA	NA	②		
533	21 x 21	NA	NA	②		
559	24 x 24	NA	NA	NA	NA	
610	24 x 24	NA	NA	NA	NA	