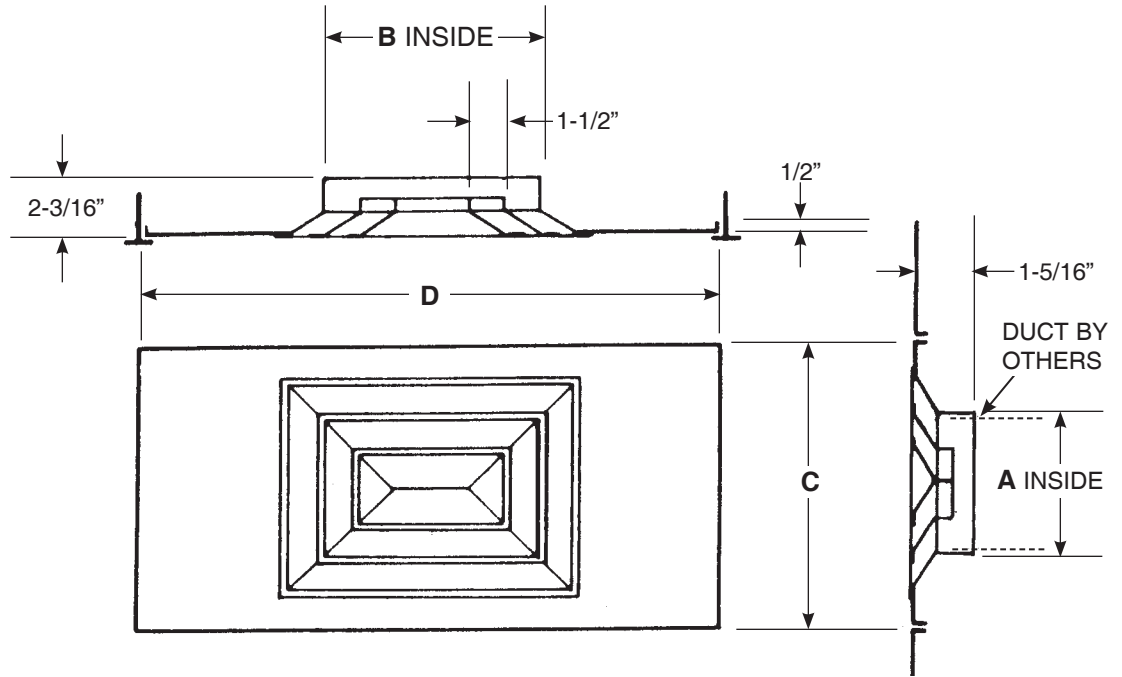
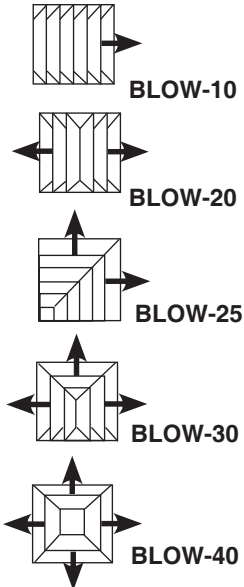


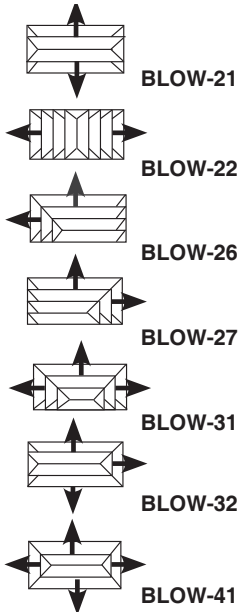
Imperial [IP] Dimensions
Metric (SI) on Reverse

CARNES COMPANY 448 S. Main St., P. O. Box 930040, Verona, WI 53593-0040 Phone: (608)845-6411 Fax: (608)845-6504 www.carnes.com

SQUARE



RECTANGULAR



Notes:

- ① Order standard SKEA which has an outside of 11-13/16" x 11-13/16".
- ② Order standard SKEA which has an outside of 11-13/16" x 23-13/16".
- ③ Order standard SKEA which has an outside of 23-13/16" x 23-13/16".

- ④ Standard finish is Carnes No. 11 White electrocoat.

For other sizes and panel sizes contact Carnes Company Sales Dept.

X = Sizes Available

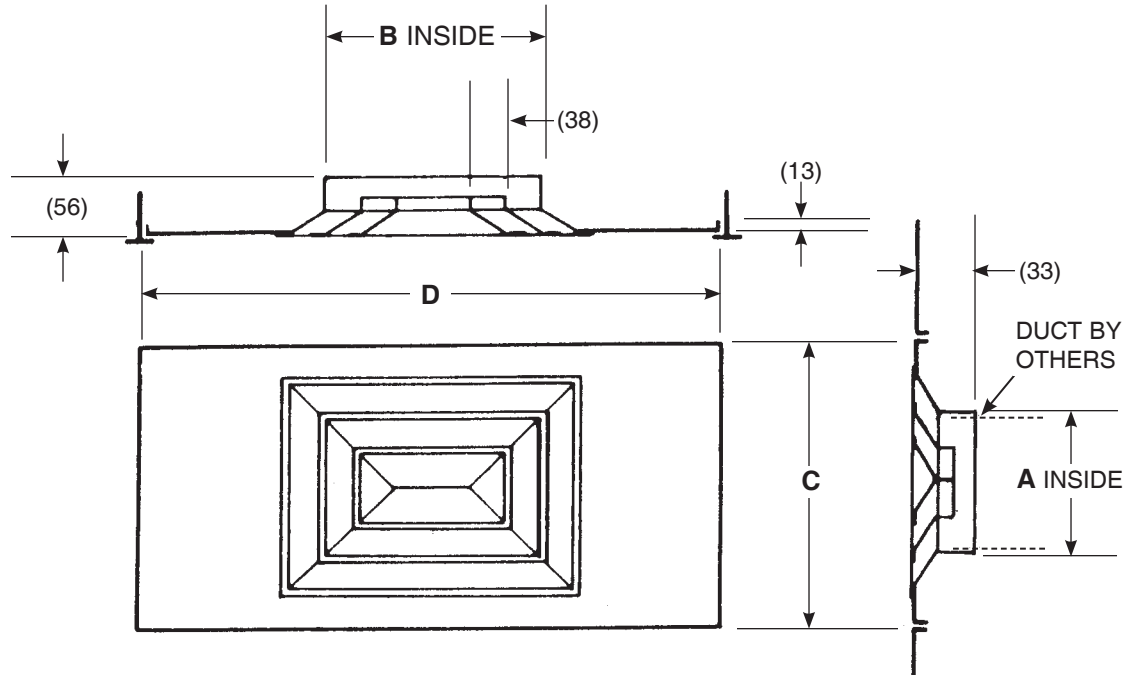
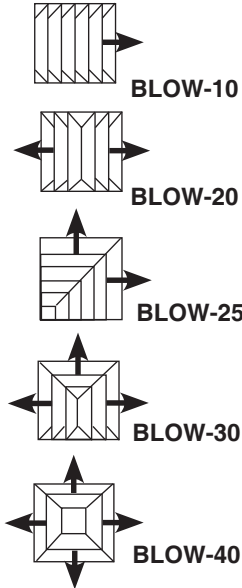
DIMENSIONS LISTED IN INCHES

SIZE A x B	PANEL - C x D				
	11-3/4 x 11-3/4	11-3/4 x 23-3/4	23-3/4 x 23-3/4	23-3/4 x 47-3/4	47-3/4 x 47-3/4
6 x 6	X	X	X	X	X
6 x 9	X	X	X	X	X
6 x 12	—	X	X	X	X
6 x 15	—	X	X	X	X
6 x 18	—	X	X	X	X
6 x 21	—	X	X	X	X
9 x 9	①	X	X	X	X
9 x 12	—	X	X	X	X
9 x 15	—	X	X	X	X
9 x 18	—	X	X	X	X
9 x 21	—	②	X	X	X
12 x 12	—	—	X	X	X
12 x 15	—	—	X	X	X
12 x 18	—	—	X	X	X
12 x 21	—	—	X	X	X
15 x 15	—	—	X	X	X
15 x 18	—	—	X	X	X
15 x 21	—	—	X	X	X
18 x 18	—	—	X	X	X
18 x 21	—	—	X	X	X
21 x 21	—	—	③	X	X

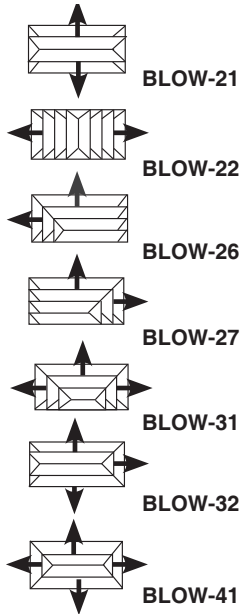
Metric (SI) Dimensions
Imperial [IP] on Reverse

CARNES COMPANY 448 S. Main St., P. O. Box 930040, Verona, WI 53593-0040 Phone: (608)845-6411 Fax: (608)845-6504 www.carnes.com

SQUARE



RECTANGULAR



Notes:

- ① Order standard SKEA which has an outside of 300mm x 300mm.
- ② Order standard SKEA which has an outside of 300mm x 605mm.
- ③ Order standard SKEA which has an outside of 605mm x 605mm.

- ④ Standard finish is Carnes No. 11 White electrocoat.

For other sizes and panel sizes contact Carnes Company Sales Dept.

X = Sizes Available

DIMENSIONS LISTED IN MILLIMETERS

SIZE A x B	PANEL - C x D				
	299 x 299	299 x 603	603 x 603	603 x 1213	1213 x 1213
152 x 152	X	X	X	X	X
152 x 229	X	X	X	X	X
152 x 305	—	X	X	X	X
152 x 381	—	X	X	X	X
152 x 457	—	X	X	X	X
152 x 533	—	X	X	X	X
229 x 229	①	X	X	X	X
229 x 305	—	X	X	X	X
229 x 381	—	X	X	X	X
229 x 457	—	X	X	X	X
229 x 533	—	②	X	X	X
305 x 305	—	—	X	X	X
305 x 381	—	—	X	X	X
305 x 457	—	—	X	X	X
305 x 533	—	—	X	X	X
381 x 381	—	—	X	X	X
381 x 457	—	—	X	X	X
381 x 533	—	—	X	X	X
457 x 457	—	—	X	X	X
457 x 533	—	—	X	X	X
533 x 533	—	—	③	X	X