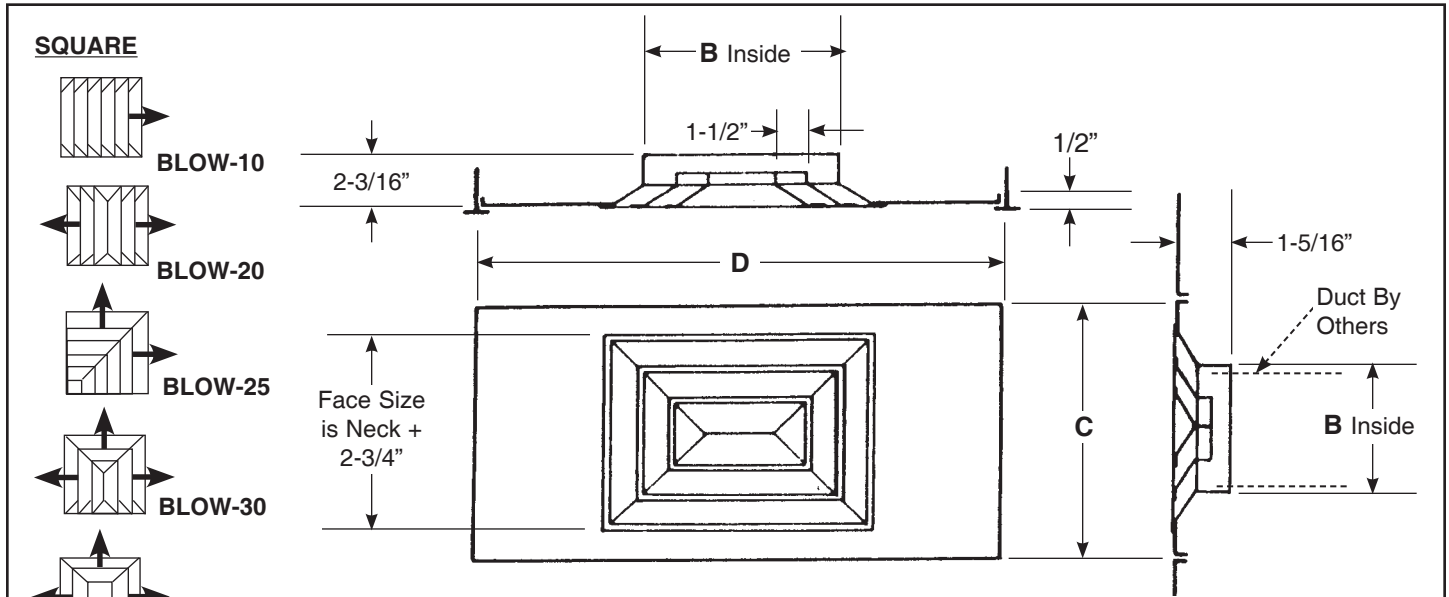


Standard Dimensions
(Metric on Reverse Size)

CARNES COMPANY 448 S. Main St., P. O. Box 930040, Verona, WI 53593-0040 Phone: (608)845-6411 Fax: (608)845-6504 www.carnes.com



SQUARE

- BLOW-10
- BLOW-20
- BLOW-25
- BLOW-30
- BLOW-40

RECTANGULAR

- BLOW-11
- BLOW-12
- BLOW-21
- BLOW-22
- BLOW-26
- BLOW-27
- BLOW-31
- BLOW-32
- BLOW-41

X = Sizes Available

Notes:

- ① Order standard SEEA which has an outside of 11-13/16" x 11-13/16".
- ② Order standard SEEA which has an outside of 11-13/16" x 23-13/16".
- ③ Order standard SEEA which has an outside of 23-13/16" x 23-13/16".
- ④ Standard finish is Carnes #11 White electrocoat.

For other sizes and panel sizes contact Carnes Company Sales Department.

ADJUSTMENT



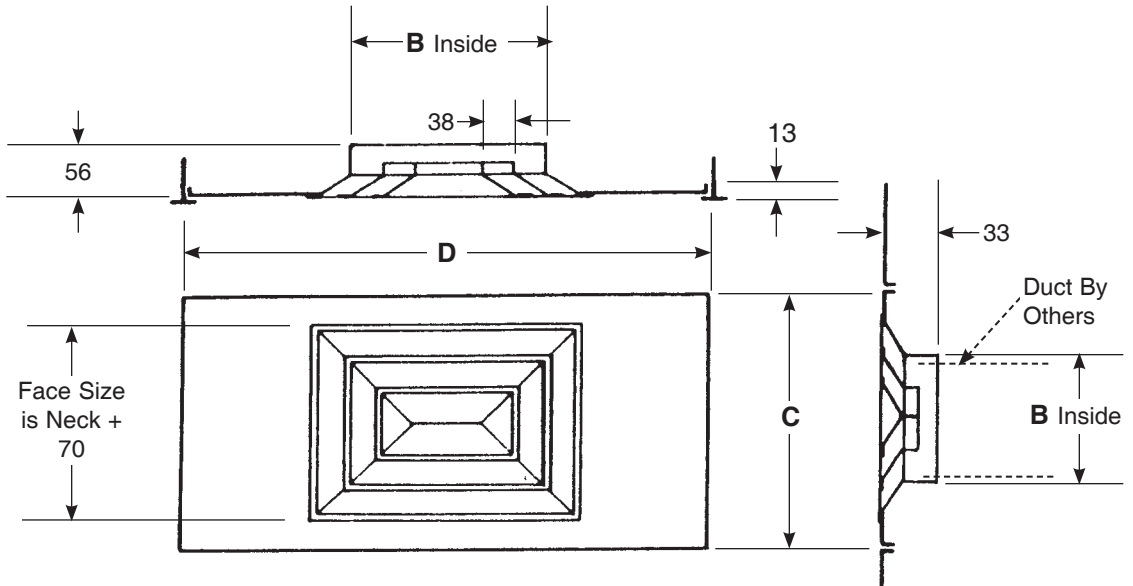
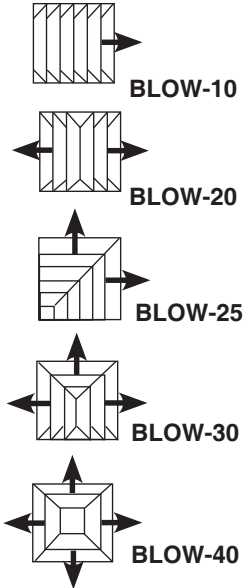
Two spring loaded pins, four pin suspension to ceiling plate. Removable and interchangeable center core assembly.

SIZE A x B	DIMENSIONS LISTED IN INCHES				
	PANEL - C x D				
	11-3/4 x 11-3/4	11-3/4 x 23-3/4	23-3/4 x 23-3/4	23-3/4 x 47-3/4	47-3/4 x 47-3/4
6 x 6	X	X	X	X	X
6 x 9	X	X	X	X	X
6 x 12	—	X	X	X	X
6 x 15	—	X	X	X	X
6 x 18	—	X	X	X	X
6 x 21	—	X	X	X	X
9 x 9	①	X	X	X	X
9 x 12	—	X	X	X	X
9 x 15	—	X	X	X	X
9 x 18	—	X	X	X	X
9 x 21	—	②	X	X	X
12 x 12	—	—	X	X	X
12 x 15	—	—	X	X	X
12 x 18	—	—	X	X	X
12 x 21	—	—	X	X	X
15 x 15	—	—	X	X	X
15 x 18	—	—	X	X	X
15 x 21	—	—	X	X	X
18 x 18	—	—	X	X	X
18 x 21	—	—	X	X	X
21 x 21	—	—	③	X	X
21 x 24	—	—	—	X	X
24 x 24	—	—	—	—	X

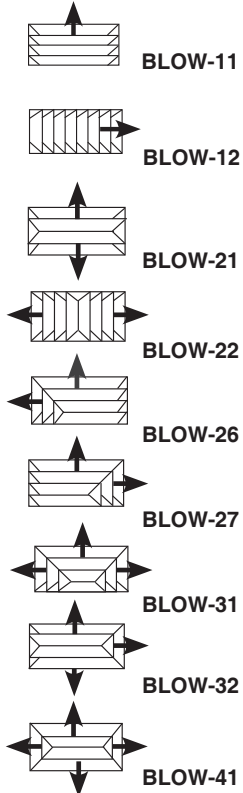
Metric Dimensions
(Standard on Reverse Size)

CARNES COMPANY 448 S. Main St., P. O. Box 930040, Verona, WI 53593-0040 Phone: (608)845-6411 Fax: (608)845-6504 www.carnes.com

SQUARE



RECTANGULAR



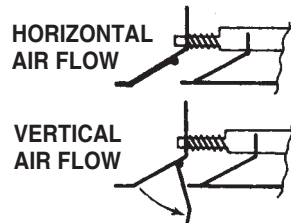
X = Sizes Available

Notes:

- ① Order standard SEEA which has an outside of 300mm x 300mm.
- ② Order standard SEEA which has an outside of 300mm x 605mm.
- ③ Order standard SEEA which has an outside of 605mm x 605mm.
- ④ Standard finish is Carnes #11 White electrocoat.

For other sizes and panel sizes contact Carnes Company Sales Department.

ADJUSTMENT



Two spring loaded pins, four pin suspension to ceiling plate. Removable and interchangeable center core assembly.

DIMENSIONS LISTED IN MILLIMETERS

SIZE A x B	PANEL - C x D				
	299 x 299	299 x 603	603 x 603	603 x 1213	1213 x 1213
152 x 152	X	X	X	X	X
152 x 229	X	X	X	X	X
152 x 305	—	X	X	X	X
152 x 381	—	X	X	X	X
152 x 457	—	X	X	X	X
152 x 533	—	X	X	X	X
229 x 229	①	X	X	X	X
229 x 305	—	X	X	X	X
229 x 381	—	X	X	X	X
229 x 457	—	X	X	X	X
229 x 533	—	②	X	X	X
305 x 305	—	—	X	X	X
305 x 381	—	—	X	X	X
305 x 457	—	—	X	X	X
305 x 533	—	—	X	X	X
381 x 381	—	—	X	X	X
381 x 457	—	—	X	X	X
381 x 533	—	—	X	X	X
457 x 457	—	—	X	X	X
457 x 533	—	—	X	X	X
533 x 533	—	—	③	X	X
533 x 610	—	—	—	X	X
610 x 610	—	—	—	—	X