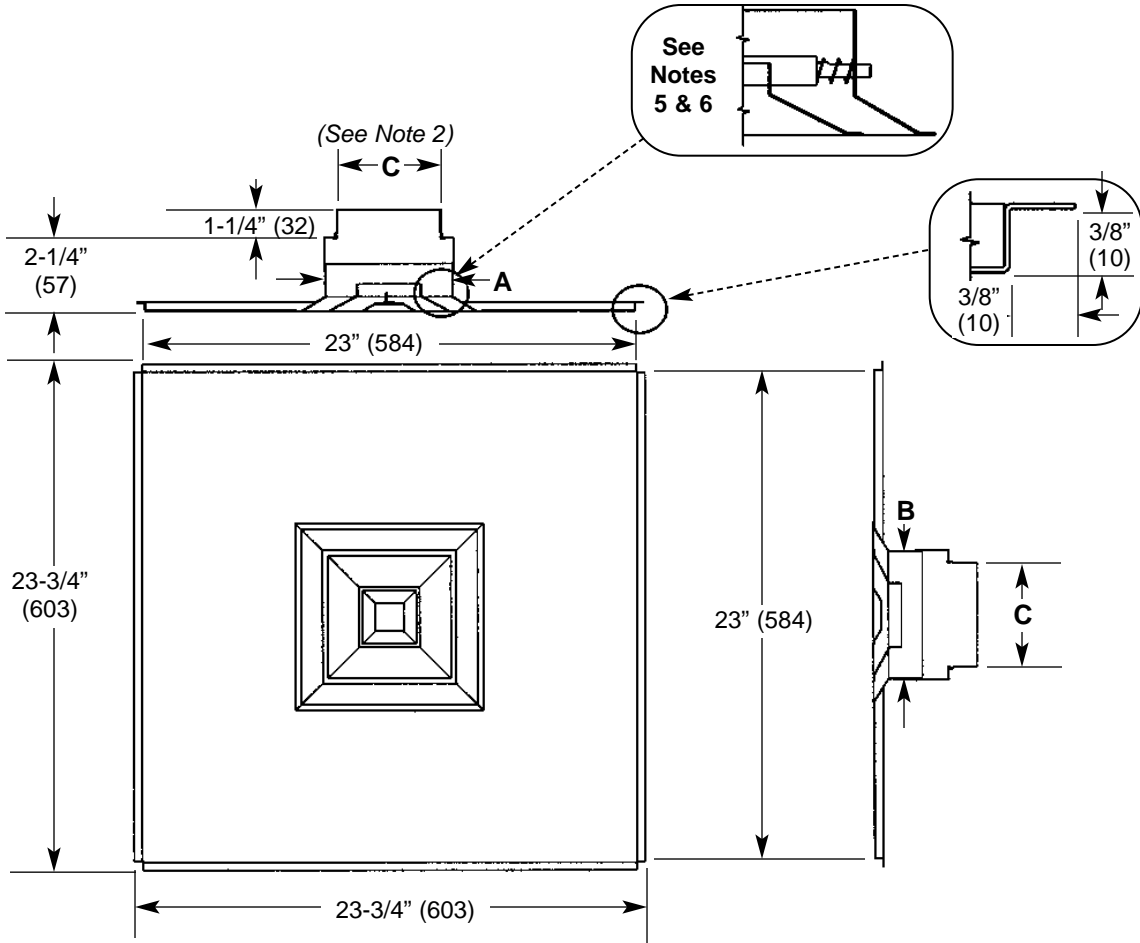
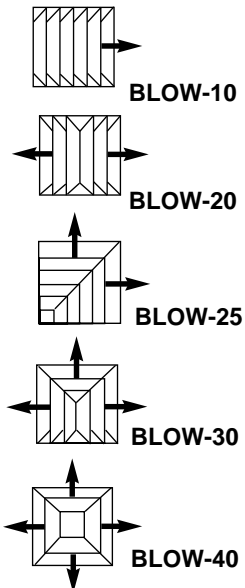


Imperial [IP] Dimensions
Metric (SI) in Parentheses

CARNES COMPANY 448 S. Main St., P. O. Box 930040, Verona, WI 53593-0040 Phone: (608)845-6411 Fax: (608)845-6504 www.carnes.com



SQUARE BLOW PATTERNS



Notes:

1. The standard finish is #11 White Electrocoat baked enamel.
2. The inlet is nominal size plus 1/4" (6) to fit over the duct.
3. This tegular panel is sized for 15/16" (24) T-bar.
4. Panels to fit 9/16" (14) T-bar are available.
5. Core is held in by 4-pin, spring loaded attachment.
6. Cores are removable and interchangeable with other blow patterns of the same size and shape.

DIMENSIONS LIST IN INCHES (Millimeters)	
A x B	C
6 x 6 (152 x 152)	5 (127)
	6 (152)
9 x 9 (229 x 229)	6 (152)
	8 (203)
	9 (229)
12 x 12 (205 x 305)	10 (254)
	12 (305)
15 x 15 (381 x 381)	14 (256)
	15 (381)
18 x 18 (457 x 457)	16 (406)
	18 (457)