

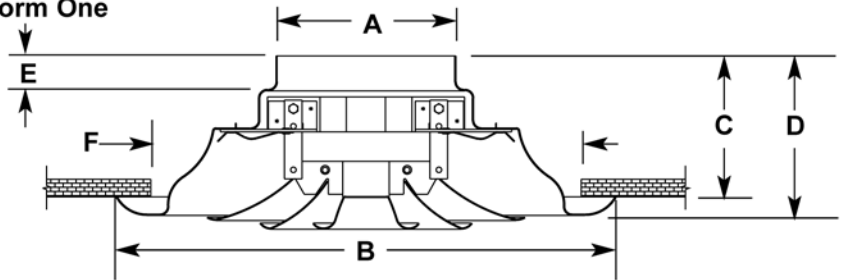
Imperial [IP] Dimensions  
Metric [SI] on Reverse Side

CARNES COMPANY 448 S. Main St., P. O. Box 930040, Verona, WI 53593-0040 Phone: (608)845-6411 Fax: (608)845-6504 www.carnes.com

#### Notes:

1. Steel construction.
2. Standard finish is electrocoat acrylic baked enamel. Other finishes are available on request.
3. Standard color is #11 Bright White. Other colors are available on request.
4. Discharge is adjusted by unbolting core from the strut assembly, then raising or lowering to the proper setting, and rebolting it in the new position.
5. Collar is oversized to fit over standard duct.

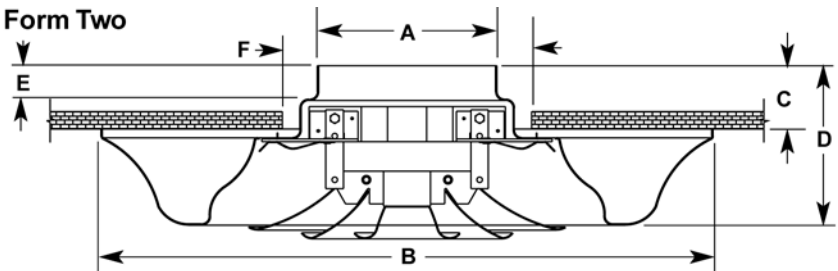
#### Form One



Dim	Description	5	6	8	10	12	14	16
A	Collar ID	5-1/16	6-1/16	8-1/16	10-1/16	12-1/16	14-1/16	16-1/8
B	Form OD	14-1/4	14-1/4	18-3/4	23-1/8	27-1/4	31-7/16	37-1/2
C	Projection from Ceiling	4-1/16	3-1/4	4-1/8	4-7/16	4-7/8	5-1/4	7-1/2
D	Unit Height	4-9/16	3-3/4	4-5/8	4-15/16	5-5/8	6	8-5/8
E	Collar Height	3/4	1	1	1	1	1	2
F	Rec. Ceiling Opening	11-3/4	11-3/4	15-1/2	19-1/2	23-1/4	27-1/4	31-3/4

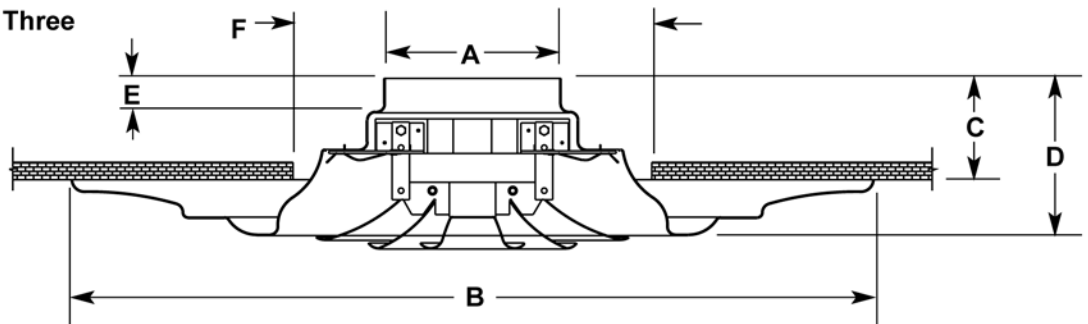
Dim	Description	18	20	24	28	32	36	38
A	Collar ID	18-1/8	20-1/8	24-1/8	28-1/8	32-3/16	36-3/16	38-3/16
B	Form OD	40-15/16	45-3/16	53	61	70	70	70
C	Projection from Ceiling	7-7/8	8-1/4	9-13/16	11-3/8	12-1/4	12-1/4	12-1/4
D	Unit Height	9	9-3/8	11-3/16	12-3/4	13-1/2	13-1/2	13-1/2
E	Collar Height	2	2	3	3	3	3	3
F	Rec. Ceiling Opening	35	39	46	55	63	63	63

#### Form Two



Dim	Description	5	6	8	10	12	14	16	18	20	24	28
A	Collar ID	5-1/16	6-1/16	8-1/16	10-1/16	12-1/16	14-1/16	16-1/8	18-1/8	20-1/8	24-1/8	28-1/8
B	Form OD	17-1/2	17-1/2	23-1/4	27-7/8	34-1/4	38	44-1/2	51-1/4	56	65-1/2	76
C	Projection from Ceiling	1-13/16	1	1	1	1	1	2-5/8	2-1/2	2-1/2	3-7/8	3-1/2
D	Unit Height	4-9/16	3-3/4	4-5/8	4-15/16	5-5/8	6	8-5/8	9	9-3/8	11-13/16	12-3/4
E	Collar Height	3/4	1	1	1	1	1	2	2	2	3	3
F	Rec. Ceiling Opening	6-1/4	6-1/4	8-1/4	10-1/4	12-1/4	14-1/4	16-3/8	18-3/8	20-3/8	24-3/8	28-3/8

#### Form Three



Dim	Description	5	6	8	10	12	14	16	18	20	24
A	Collar ID	5-1/16	6-1/16	8-1/16	10-1/16	12-1/16	14-1/16	16-1/8	18-1/8	20-1/8	24-1/8
B	Form OD	23-1/4	23-1/4	30	35	43-1/2	48	55-1/2	57-1/2	61-1/2	65-1/2
C	Projection from Ceiling	2-15/16	2-1/8	2-1/4	2-7/16	2-3/4	3	4-5/8	5	5-3/8	8-1/16
D	Unit Height	4-9/16	3-3/4	4-5/8	4-15/16	5-5/8	6	8-5/8	9	9-3/8	11-13/16
E	Collar Height	3/4	1	1	1	1	1	2	2	2	3
F	Rec. Ceiling Opening	11	11	14-1/2	18-1/2	21-1/2	25	28-1/4	32-1/2	37	47

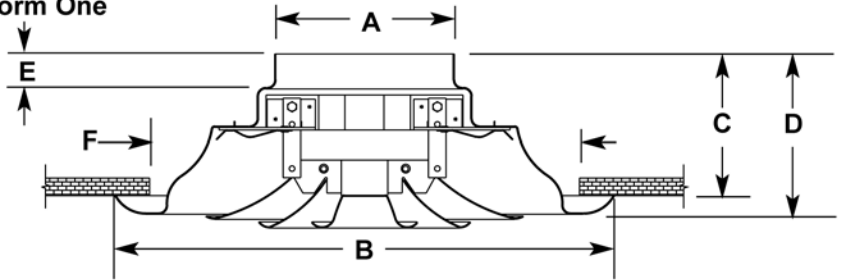
Metric (SI) on Reverse Side  
Imperial [IP] Dimensions

CARNES COMPANY 448 S. Main St., P. O. Box 930040, Verona, WI 53593-0040 Phone: (608)845-6411 Fax: (608)845-6504 www.carnes.com

#### Notes:

1. Steel construction.
2. Standard finish is electrocoat acrylic baked enamel. Other finishes are available on request.
3. Standard color is #11 Bright White. Other colors are available on request.
4. Discharge is adjusted by unbolting core from the strut assembly, then raising or lowering to the proper setting, and rebolting it in the new position.
5. Collar is oversized to fit over standard duct.

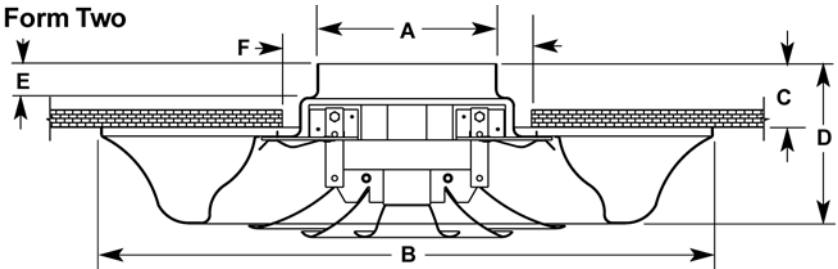
#### Form One



Dim	Description	5	6	8	10	12	14	16
A	Collar ID	129	154	205	256	306	357	410
B	Form OD	362	362	476	587	692	799	953
C	Projection from Ceiling	103	83	105	113	124	133	191
D	Unit Height	116	95	117	125	143	152	219
E	Collar Height	19	25	25	25	25	25	51
F	Rec. Ceiling Opening	298	298	394	495	591	692	806

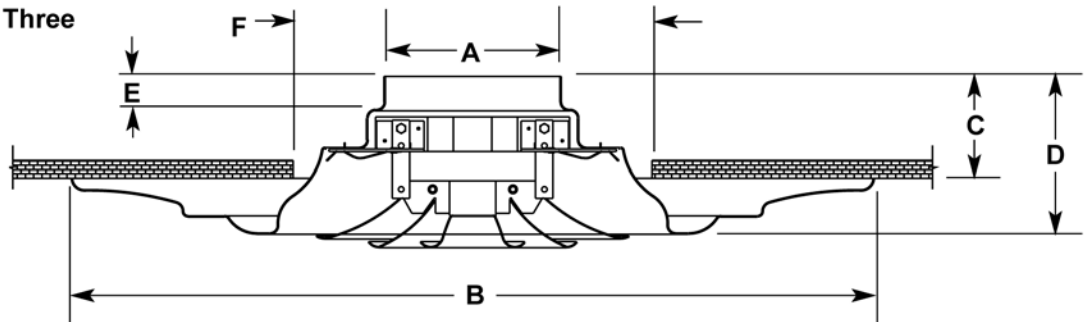
Dim	Description	18	20	24	28	32	36	38
A	Collar ID	460	511	613	714	818	919	970
B	Form OD	1040	1148	1346	1549	1778	1778	1778
C	Projection from Ceiling	200	210	249	289	331	311	311
D	Unit Height	229	238	284	324	343	343	343
E	Collar Height	51	51	76	76	76	76	76
F	Rec. Ceiling Opening	889	991	1168	1397	1600	1600	1600

#### Form Two



Dim	Description	5	6	8	10	12	14	16	18	20	24	28
A	Collar ID	129	154	205	256	306	357	410	460	511	613	714
B	Form OD	445	445	591	708	870	965	1130	1302	1422	1664	1930
C	Projection from Ceiling	46	25	25	25	25	25	67	64	64	98	89
D	Unit Height	116	95	117	125	143	152	219	229	238	284	324
E	Collar Height	19	25	25	25	25	25	51	51	51	76	76
F	Rec. Ceiling Opening	159	159	210	260	311	362	416	467	518	619	721

#### Form Three



Dim	Description	5	6	8	10	12	14	16	18	20	24
A	Collar ID	129	154	205	256	306	357	410	460	511	613
B	Form OD	591	591	762	889	1105	1219	1410	1461	1562	1664
C	Projection from Ceiling	75	54	57	62	70	76	117	127	137	205
D	Unit Height	116	95	117	125	143	152	219	229	238	300
E	Collar Height	19	25	25	25	25	25	51	51	51	76
F	Rec. Ceiling Opening	279	279	368	470	546	635	718	826	940	1194