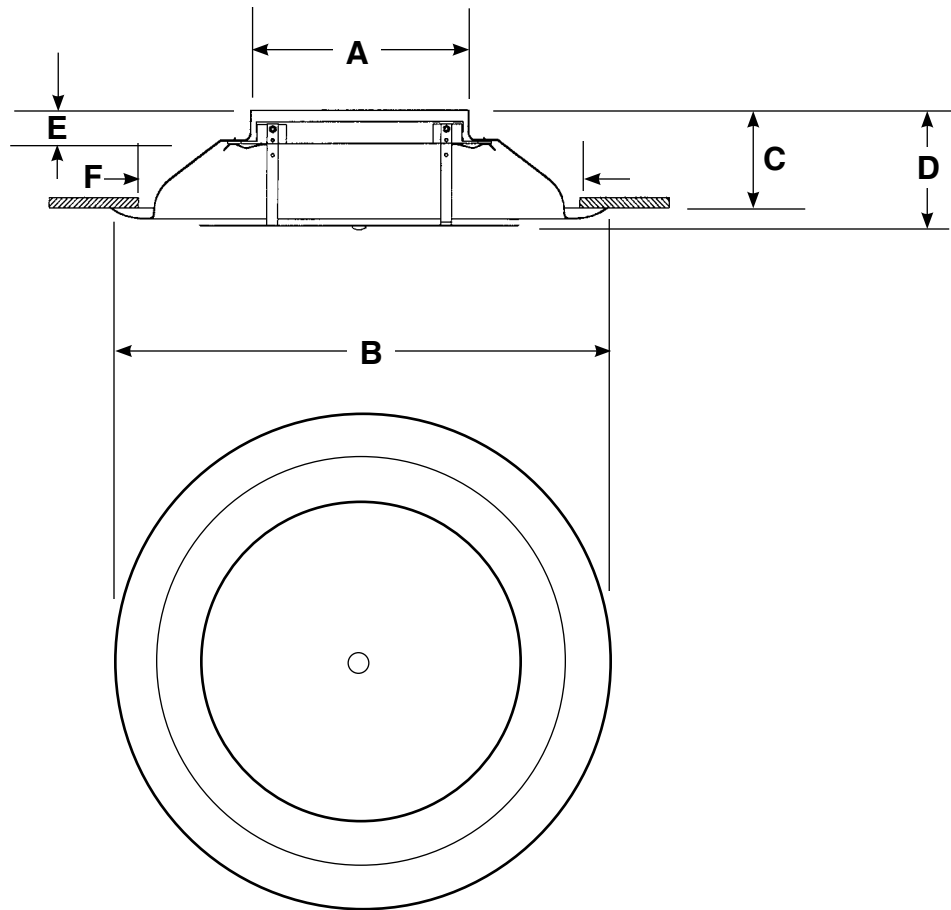


Imperial [IP] Dimensions
Metric (SI) on Reverse

CARNES COMPANY 448 S. Main St., P. O. Box 930040, Verona, WI 53593-0040 Phone: (608)845-6411 Fax: (608)845-6504 www.carnes.com



Notes:

1. Construction is steel.
2. Standard finish is electrocoat acrylic baked enamel.
3. Standard color is #11 Bright White.
4. Discharge is adjusted by unbolting the core from the strut assembly, then raising or lowering it to the proper setting, and rebolting it in the new position.
5. Form 1 ceiling plate standard.
6. Collar is oversized to fit over standard duct.

Dim.	Description	6"	8"	10"	12"	14"	16"
A	Collar ID	6-1/16"	8-1/16"	10-1/16"	12-1/16"	14-1/16"	16-1/8"
B	Form OD	14-1/14"	18-3/4"	23-1/8"	27-1/4"	31-7/16"	37-1/2"
C	Projection from Ceiling	3-1/4"	4-1/8"	4-7/16"	4-7/8"	5-1/4"	7-1/2"
D	Unit Height	3-3/4"	4-5/8"	4-15/16"	5-5/8"	6"	8-5/8"
E	Collar Height	1"	1"	1"	1"	1"	2"
F	Rec. Ceiling Opening	11-3/4"	15-1/2"	19-1/2"	23-1/4"	27-1/4"	31-3/4"