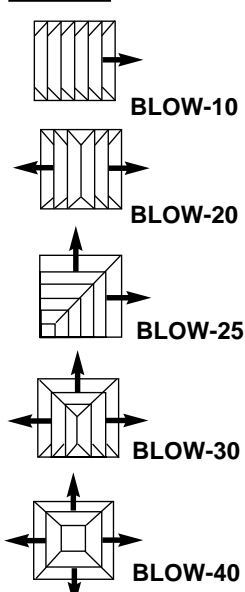


## SQUARE and RECTANGULAR EXTRUDED ALUMINUM DIFFUSERS with DROP BOXES

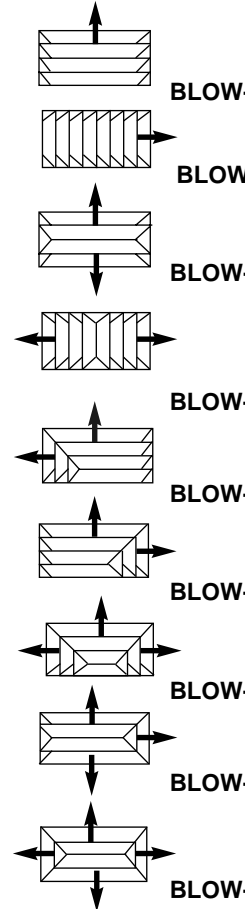
Imperial [IP] Dimensions  
Metric (SI) in Parentheses

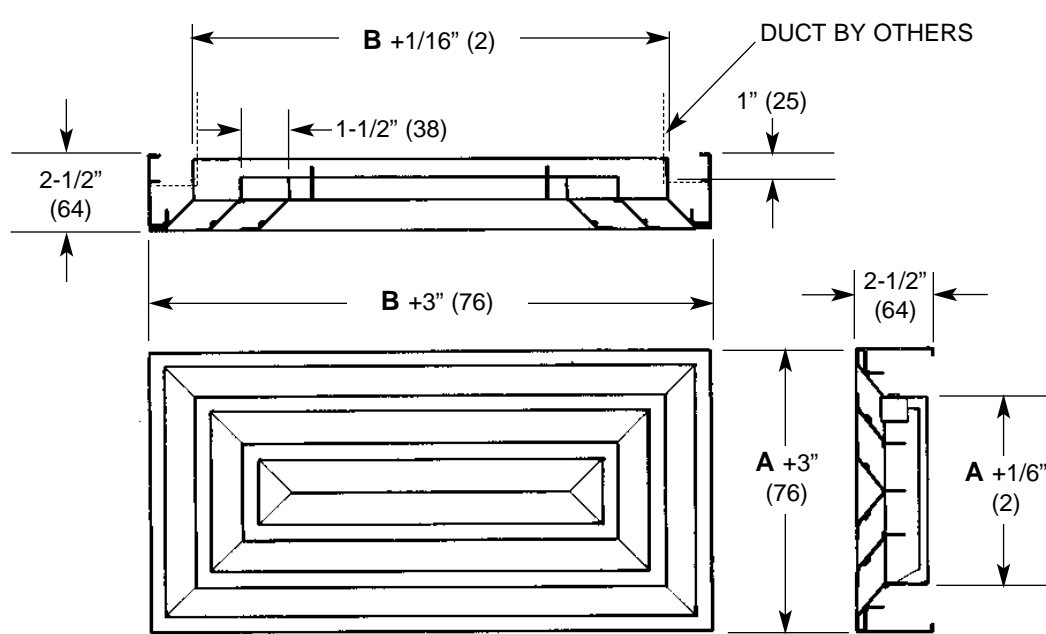
CARNES COMPANY 448 S. Main St., P. O. Box 930040, Verona, WI 53593-0040 Phone: (608)845-6411 Fax: (608)845-6504 www.carnes.com

**SQUARE**



**RECTANGULAR**





**MINIMUM CEILING OPENING**  
**A + 1/4" (6) x B + 1/4" (6)**

**DIMENSIONS LISTED IN INCHES (Millimeters)**

Size A x B	Size A x B
6x 6 (152x152)	12x12 (305x305)
6x9 (152x229)	12x15 (305x381)
6x12 (152x305)	12x18 (305x457)
6x15 (152x381)	12x21 (305x533)
6x18 (152x457)	15x15 (381x381)
6x21 (152x533)	15x18 (381x533)
9x9 (229x229)	15x21 (381x533)
9x12 (229x305)	18x18 (457x457)
9x15 (229x381)	18x21 (457x533)
9x18 (229x457)	21x21 (533x533)
9x21 (229x533)	

**Note:** Standard finish #24 etch and lacquer.  
#11 white is optional