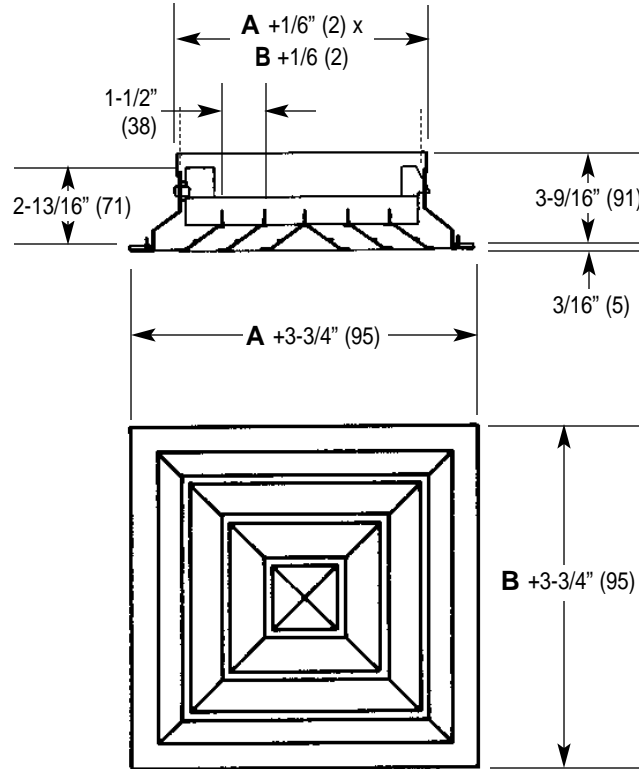


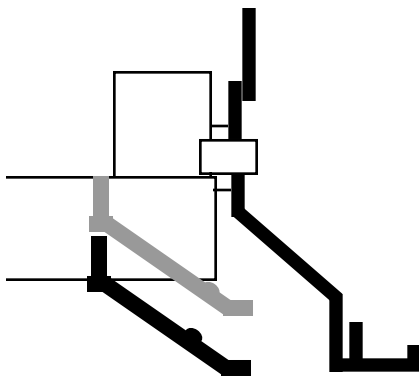
Square Extruded Alum. Diffusers — Adjustable Surface Mount

Imperial [IP] Dimensions
Metric (SI) in Parentheses

CARNES COMPANY 448 S. Main St., P. O. Box 930040, Verona, WI 53593-0040 Phone: (608)845-6411 Fax: (608)845-6504 www.carnes.com



MINIMUM CEILING OPENING $A + 2-1/2''$ (64) x $B + 2-1/2''$ (64)
AVAILABLE IN FOUR-WAY BLOW ONLY



Adjustment detail for two positions
up position for vertical throw.

| DIMENSIONS LISTED IN INCHES (Millimeters) | |
|---|---------------------|
| Model | Size |
| | A x B |
| SAAM | 6 x 6 (152 x 152) |
| SAAM | 9 x 9 (229 x 229) |
| SAAM | 12 x 12 (305 x 305) |
| SAAM | 15 x 15 (381 x 381) |
| SAAM | 18 x 18 (457 x 457) |
| SAAM | 21 x 21 (533 x 533) |

Note: Standard finish #24 etch and lacquer.
#01 white is optional.