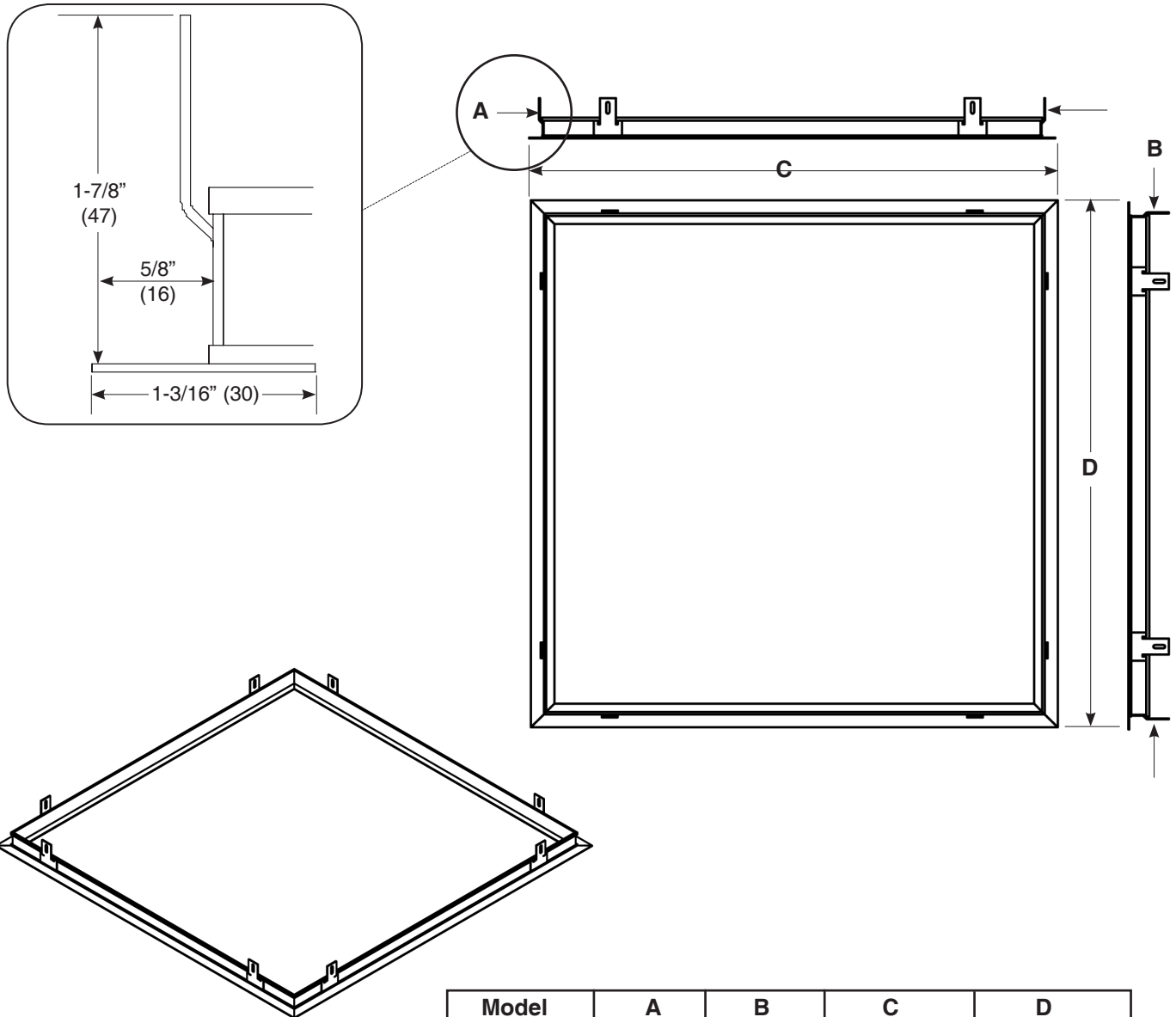


Imperial [IP] Dimensions
Metric (SI) in Parentheses

CARNES COMPANY 448 S. Main St., P. O. Box 930040, Verona, WI 53593-0040 Phone: (608)845-6411 Fax: (608)845-6504 www.carnes.com



Model	A	B	C	D
KXFAA 1212	12" (305)	12" (305)	13-7/16" (341)	13-7/16" (341)
KXFAA 1224	12" (305)	24" (610)	13-7/16" (341)	25-7/16" (646)
KXFAA 2424	24" (610)	24" (610)	25-7/16" (646)	25-7/16" (646)
KXFAA 2448	24" (610)	48" (1219)	25-7/16" (646)	49-7/16" (1255)

Notes:

1. Recommended minimum ceiling opening: $A + 1/4"$ x $B + 1/4"$.
2. Mounting kit included (angles and screws).
3. Standard color is No. 11 Bright White.
4. Metric dimensions are listed in millimeters.