

SPECIFICATION SHEET

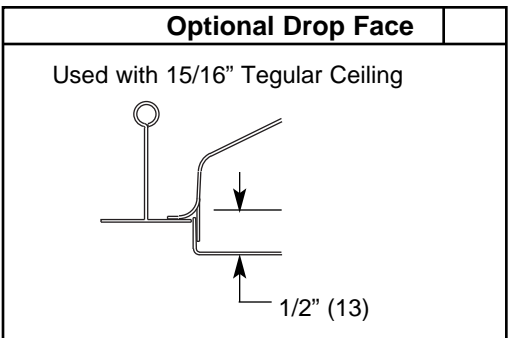
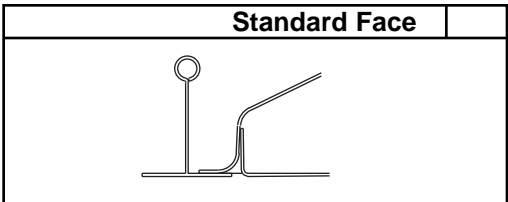
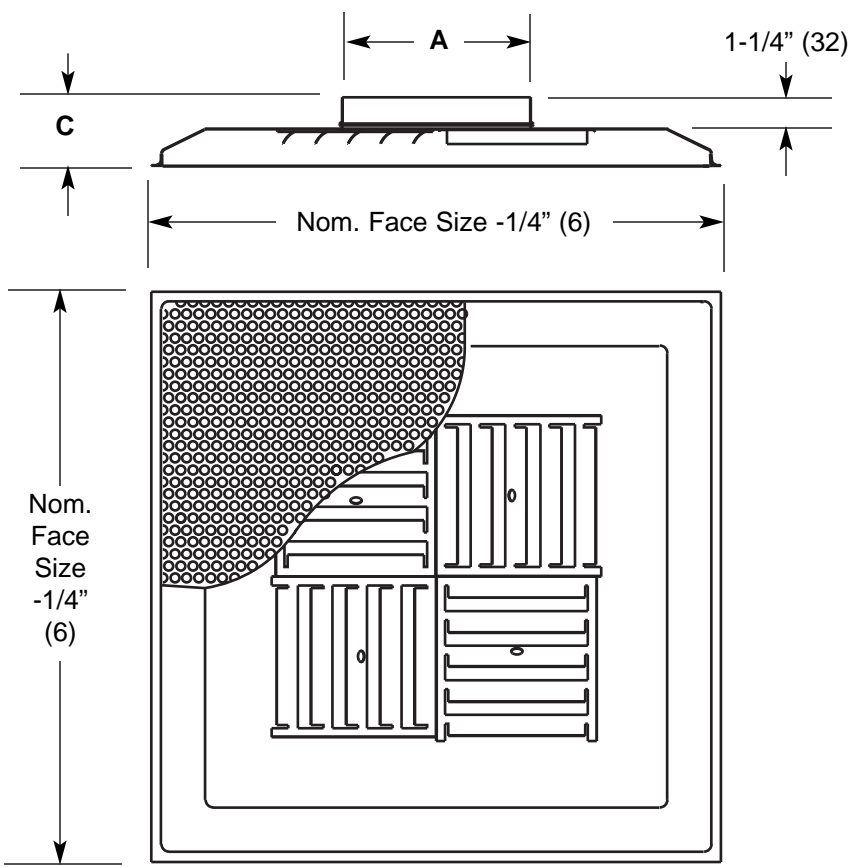
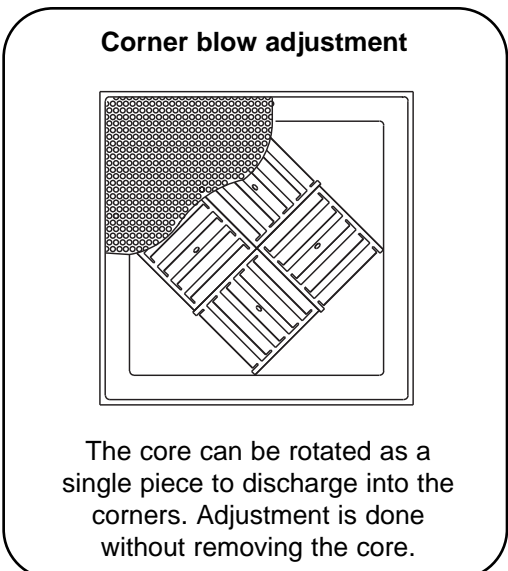
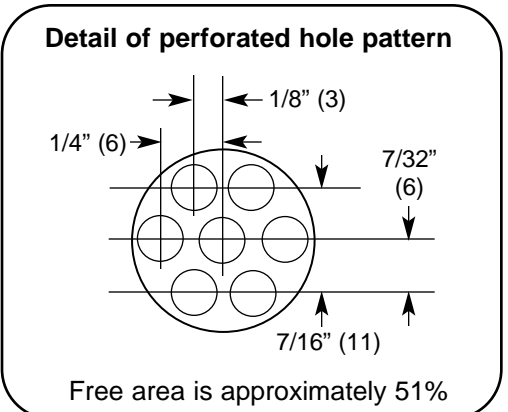
Model SPXC (Steel), SLXC (Aluminum)

Perforated Face Rotating Core Supply Diffuser

Round Neck, T-bar Mount

Imperial [IP] Dimensions
Metric (SI) in Parentheses

CARNES COMPANY 448 S. Main St., P. O. Box 930040, Verona, WI 53593-0040 Phone: (608)845-6411 Fax: (608)845-6504 www.carnes.com



NOTES:

1. Standard construction on SP model is steel. Aluminum face plate is available on request (Options A & B).
2. Standard construction on SL model is aluminum ceiling plate and face plate.
3. Standard finish is electrocoat acrylic baked enamel.
4. Standard color is #11 Bright White.
5. Round neck is undersized by 1/8" (3) to fit inside the duct.
6. Recommended balancing damper is Model KXMB Opposed Blade Damper.
7. Metric dimensions are given in millimeters.

Model Number	Nom. Face Size	Round Neck Nom. Size (A)	Unit Height (C)
SPXC or SLXC 114 06	12" x 12"	6" (152)	2-1/2"
SPXC or SLXC 114 08	(305 x 305)	8" (203)	(64)
SPXC or SLXC 224 06	24" x 24" (610 x 610)	6" (152)	2-3/4" (70)
SPXC or SLXC 224 08		8" (203)	
SPXC or SLXC 224 10		10" (254)	
SPXC or SLXC 224 12		12" (305)	
SPXC or SLXC 224 14		14" (356)	
SPXC or SLXC 224 16		16" (406)	