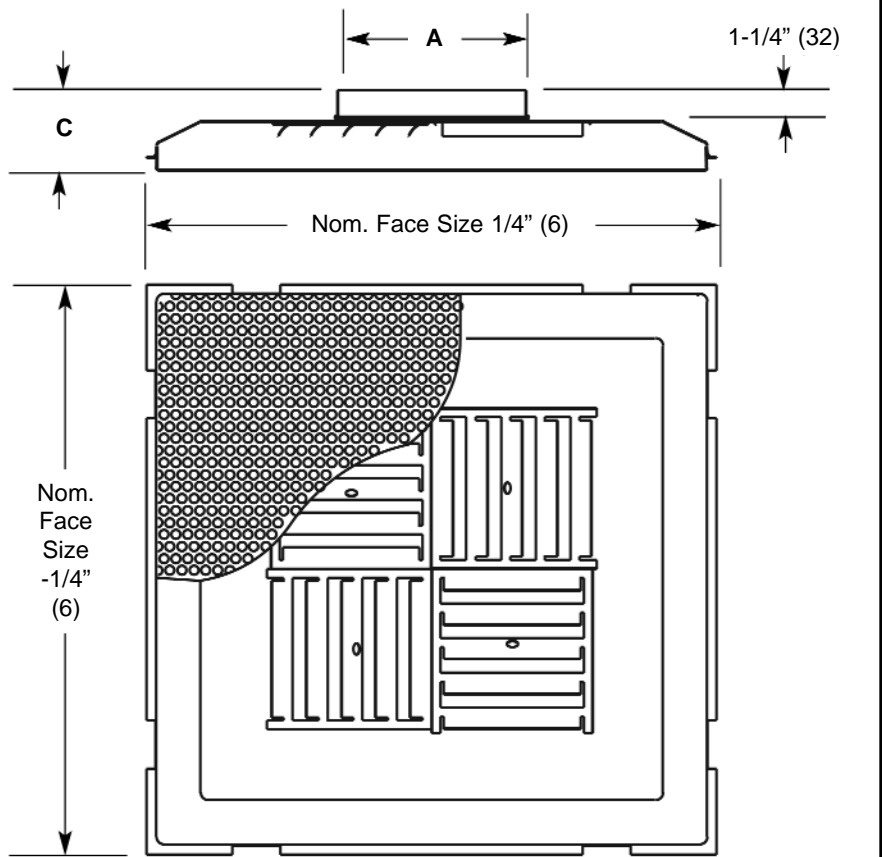
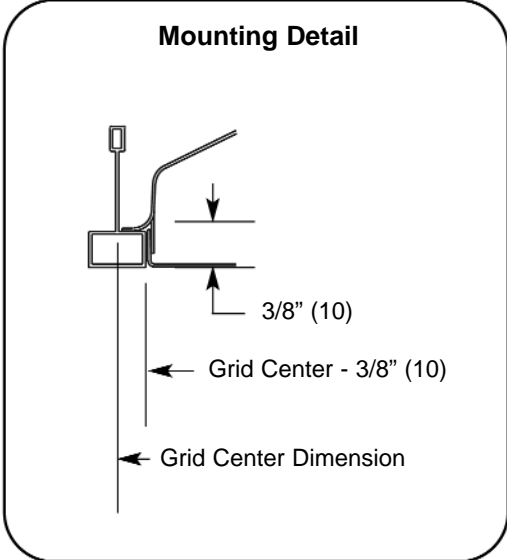
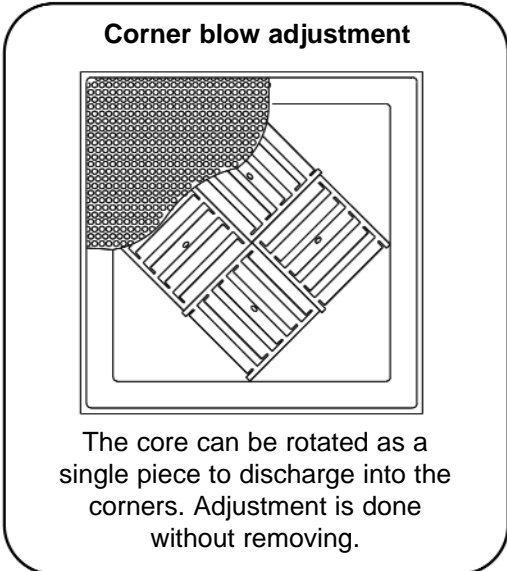
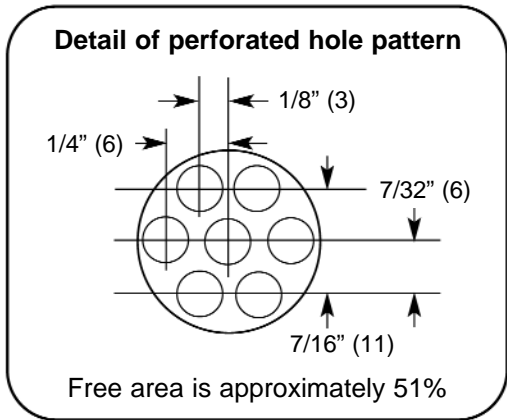


Imperial [IP] Dimensions  
Metric (SI) in Parentheses

CARNES COMPANY 448 S. Main St., P. O. Box 930040, Verona, WI 53593-0040 Phone: (608)845-6411 Fax: (608)845-6504 www.carnes.com



**NOTES:**

1. Standard construction on SP model is steel. Aluminum face plate is available on request (Options A & B).
2. Standard construction on SL model is aluminum ceiling plate and face plate.
3. Standard finish is electrocoat acrylic baked enamel.
4. Standard color is #11 Bright White.
5. Round neck is undersized by 1/8" (3) to fit inside the duct.
6. Recommended balancing damper is model KXMB damper.
7. Metric dimensions are given in millimeters.
8. "Donn" and "Fineline" are Registered Trademarks of USG, Inc.

Model Number	Nom. Face Size	Round Neck Nom. Size (A)	Unit Height (C)
S_XC 119 06	12" x 12"	6" (152)	2-7/8"
S_XC 119 08	(305 X 305)	8" (203)	(73)
S_XC 229 06		6" (152)	
S_XC 229 08		8" (203)	
S_XC 229 10	24" X 24"	10" (254)	3-1/8"
S_XC 229 12	(610 X 610)	12" (305)	(79)
S_XC 229 14		14" (356)	
S_XC 229 16		16" (406)	