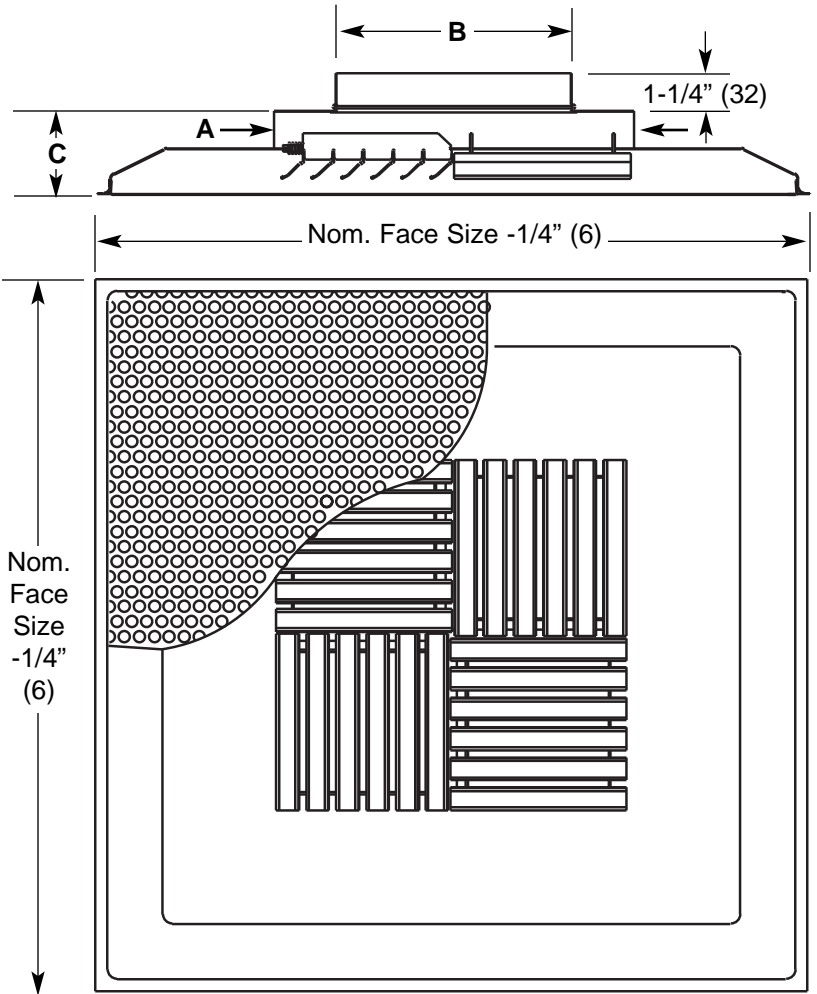
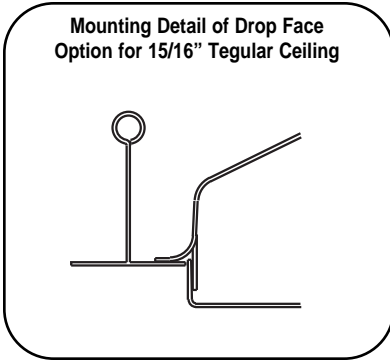
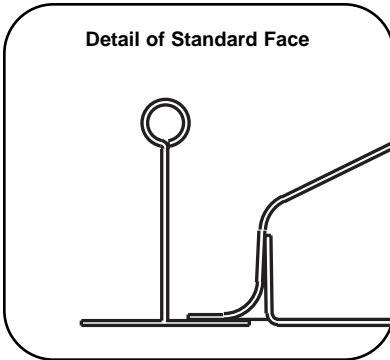
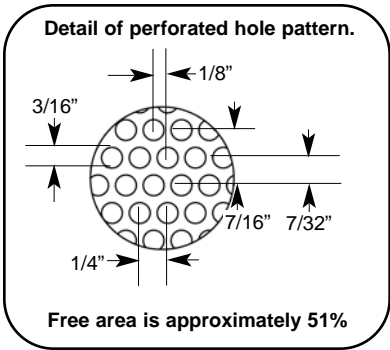


Imperial [IP] Dimensions  
Metric (SI) in Parentheses

CARNES COMPANY 448 S. Main St., P. O. Box 930040, Verona, WI 53593-0040 Phone: (608)845-6411 Fax: (608)845-6504 www.carnes.com



**Notes:**

1. Standard construction on SP model is steel. Aluminum face plate is available on request (Options A & B).
2. Standard construction on SL model is aluminum ceiling plate, cores and face plate. The springs are steel.
3. Standard finish is electrocoat acrylic baked enamel.
4. Standard color is #11 Bright White. Other colors are available on request.
5. Round inlet is undersized by 1/8" (3) to fit inside the duct.
6. Recommended balancing damper is Model KXMB.
7. Metric dimensions are given in millimeters.

Nom. Face Size	Square Neck Nom. Size (AxA)	Available Round Neck Nom. Size (B)	Unit Height (C)
12" x 12" (305 x 305)	6" x 6" (152 x 152) 8" x 8" (203 x 203)	5" (127), 6" (152) 6" (152), 7" (178), 8" (203)	3-1/16" (78)
24" x 24" (610 x 610)	6" x 6" (152 x 152) 8" x 8" (203 x 203) 10" x 10" (254 x 254) 12" x 12" (305 x 305) 14" x 14" (356 x 356) 16" x 16" (406 x 406) 18" x 18" (457 x 457)	5" (127), 6" (152) 6" (152), 7" (178), 8" (203) 8" (203), 10" (254) 10" (254), 12" (305) 12" (305), 14" (356) 14" (356), 16" (406) 16" (406), 18" (457)	3-5/16" (84)