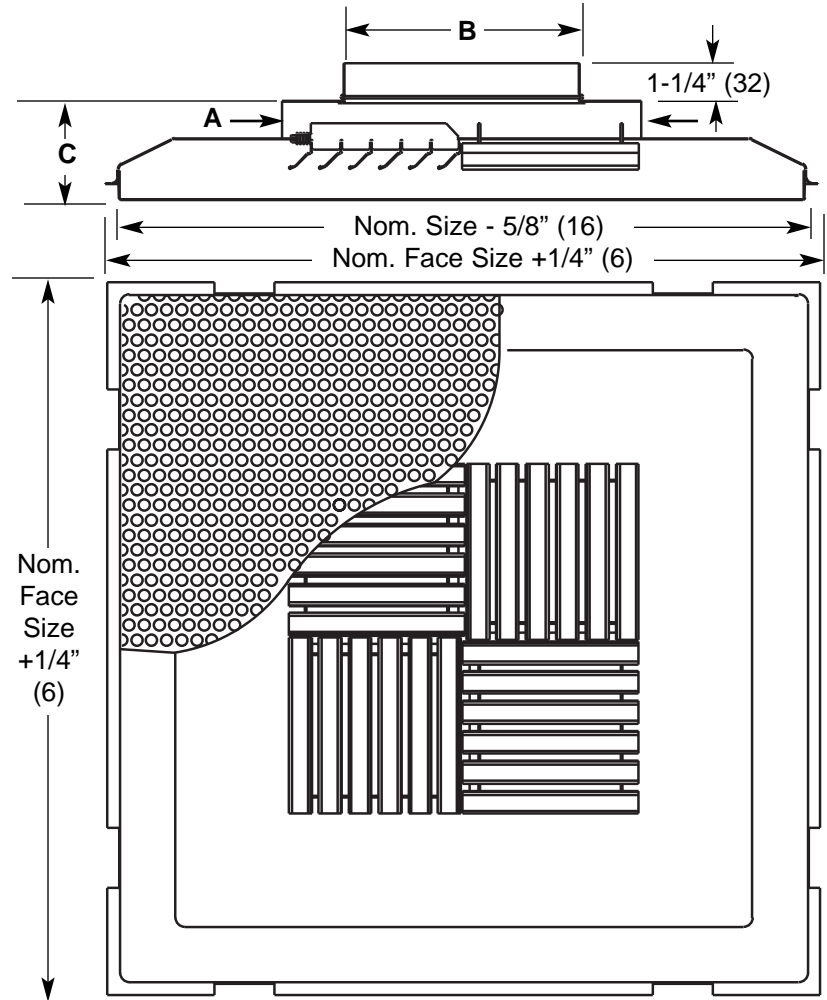
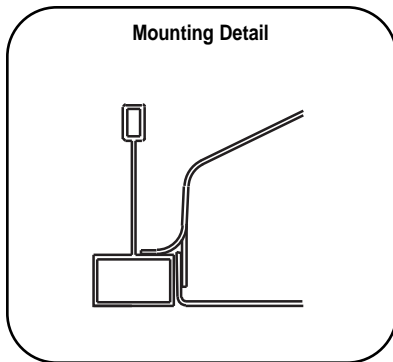
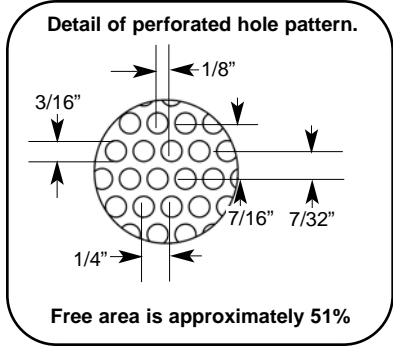


Imperial [IP] Dimensions
Metric (SI) in Parentheses

Perforated Face Modular Core Supply Diffuser Square Neck, w/Optional Round Inlet, Donn® Finline® Mount

CARNES COMPANY 448 S. Main St., P. O. Box 930040, Verona, WI 53593-0040 Phone: (608)845-6411 Fax: (608)845-6504 www.carnes.com



Notes:

- Standard construction on SP model is steel. Aluminum face plate is available on request (Option A).
- Standard construction on SL model is aluminum ceiling plate, cores and face plate. The springs are steel.
- Standard finish is electrocoat acrylic baked enamel.
- Standard color is #11 Bright White. Other colors are available on request.
- Round inlet is undersized by 1/8" (3) to fit inside the duct.
- Recommended balancing damper is Model KXMB.
- Metric dimensions are given in millimeters.

Nom. Face Size	Square Neck Nom. Size (AxA)	Available Round Neck Nom. Size (B)	Unit Height (C)
12" x 12" (305 x 305)	6" x 6" (152 x 152) 8" x 8" (203 x 203)	5" (127), 6" (152) 6" (152), 7" (178), 8" (203)	3-3/8" (86)
24" x 24" (610 x 610)	6" x 6" (152 x 152) 8" x 8" (203 x 203) 10" x 10" (254 x 254) 12" x 12" (305 x 305) 14" x 14" (356 x 356) 16" x 16" (406 x 406) 18" x 18" (457 x 457)	5" (127), 6" (152) 6" (152), 7" (178), 8" (203) 8" (203), 10" (254) 10" (254), 12" (305) 12" (305), 14" (356) 14" (356), 16" (406) 16" (406), 18" (457)	3-5/8" (92)