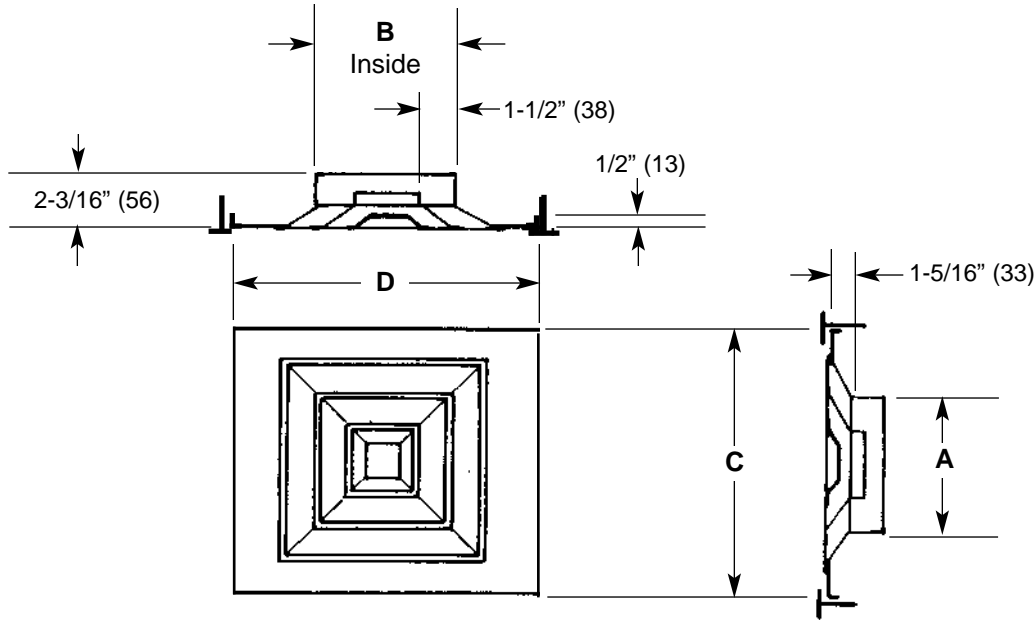
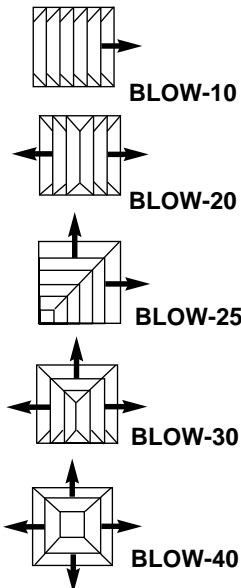


Imperial [IP] Dimensions
Metric (SI) in Parentheses

CARNES COMPANY 448 S. Main St., P. O. Box 930040, Verona, WI 53593-0040 Phone: (608)845-6411 Fax: (608)845-6504 www.carnes.com



SQUARE



AVAILABLE SIZES	
A x B	Metric A x B
6 x 6	152 x 152
9 x 9	229 x 229
12 x 12	305 x 305
15 x 15	381 x 381
18 x 18	457 x 457

Notes:

- Standard SETM has an outside dimension of 23-3/4" x 23-3/4" (603 x 603).
- Standard Finish is Bright White Powder Coat.

For other sizes and panel sizes contact Carnes Company Sales Department.