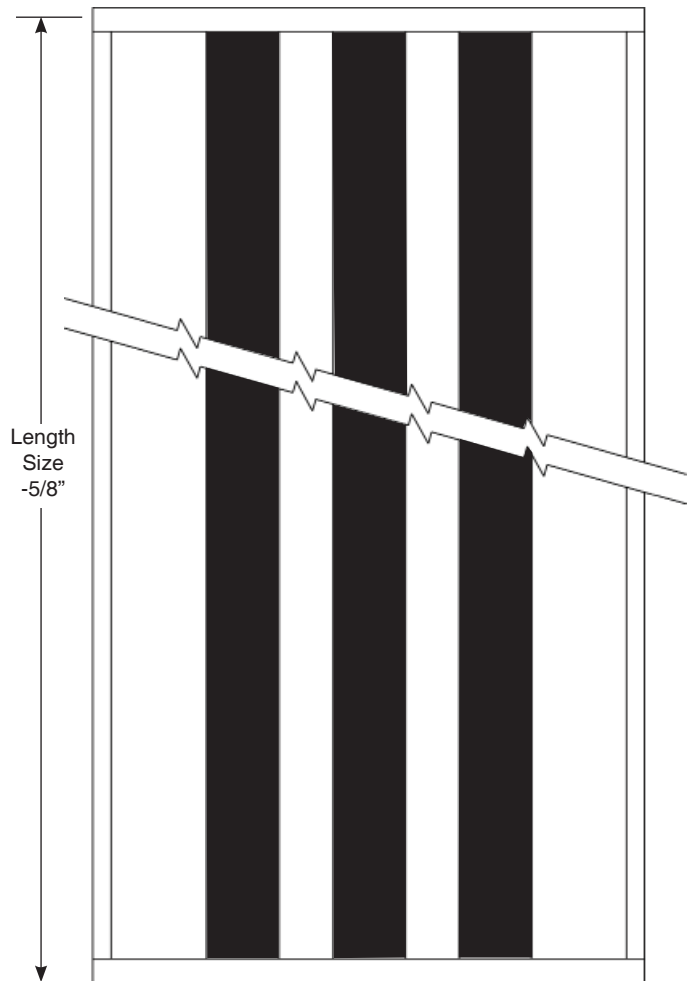
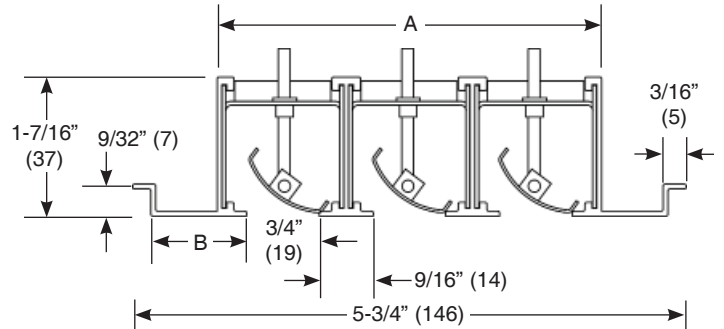
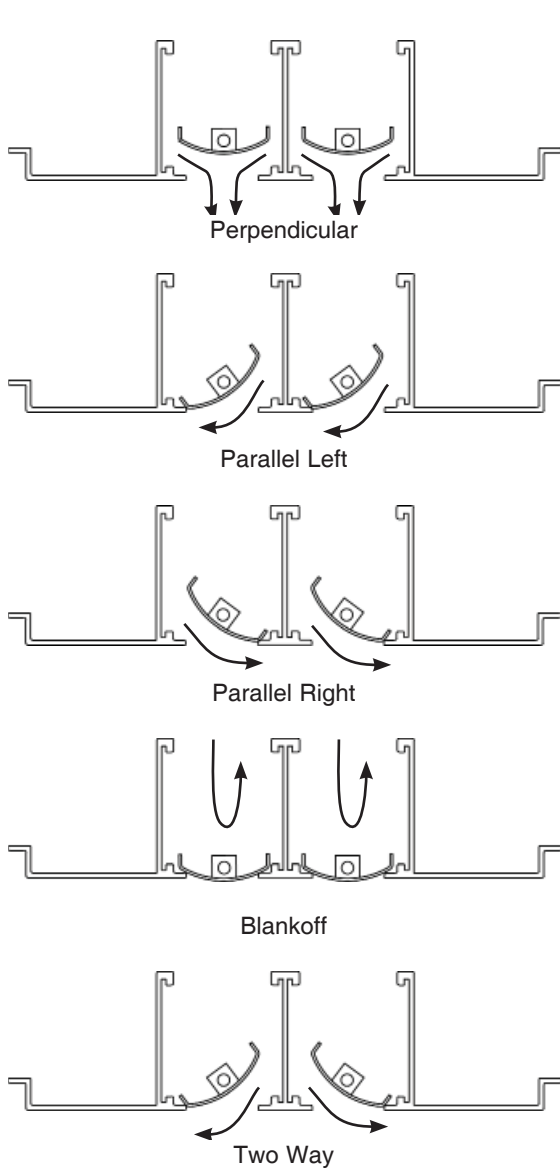


Imperial [IP] Dimensions Metric (SI) in Parentheses

CARNES COMPANY 448 S. Main St., P. O. Box 930040, Verona, WI 53593-0040 Phone: (608)845-6411 Fax: (608)845-6504 www.carnes.com

### Slot Pattern Adjustments



### Dimensions List in Inches (Millimeters)

DIM	No. of Slots			
	1	2	3	4
A	1-3/8 (35)	2-11/16 (66)	4 (102)	5-5/16 (135)
B	2-5/16 (59)	1-21/32 (42)	1 (25)	11/32 (9)

## Performance Data - USG Logix™ Compatible Linear Supply Diffuser (Models DT, DG, DH)

### Correction Factors for Lengths Other than Shown.

Performance data is given for a 4-foot long diffuser. When other lengths are used, apply these corrections to the table data below.

Length	24"	36"	48"	60"	72"
Pressure Correction	No pressure correction is necessary				
NC Correction (Add)	-3	-1	0	1	3
Throw Correction (Multiply)	0.75	0.88	1	1.12	1.25

### Correction Factors for Vertical Discharge Adjustment of Models DT, DG, DH.

Performance data is given for horizontal discharge. When the deflector is set for vertical discharge, apply these corrections to the table data below.

NC/RC Correction (Add)	-3
Throw Correction (Multiply)	No Correction Necessary
Pressure Correction (Multiply)	0.8

### Correction Factors for Cold Air Performance.

Performance data is based on tests conducted in isothermal conditions. When 20°ΔT cooling conditions exist, horizontal throw (assuming the presence of a ceiling) is reduced by approximately 35%. To get horizontal throws corrected for 20°ΔT cooling conditions, multiply the table throw data by .65.

This correction does not apply in vertical discharge situations.

### Return Air Factors

When Channelaire is used as an air return, either ducted or plenum, the pattern control is used for dampering only. With pattern control set at wide open these correction factors apply to the performance data.

NC/RC Correction (Add)	-3
Throw Correction (Multiply)	Not Applicable
Pressure Correction (Multiply)	0.8

<b>One Slot</b>	<b>Airflow per foot</b>	<b>10</b>	<b>15</b>	<b>20</b>	<b>25</b>	<b>30</b>	<b>40</b>	<b>50</b>	<b>60</b>		
	Static Pressure	0.008	0.018	0.032	0.050	0.072	0.128	0.202	0.288		
	Sound (NC)	~	~	~	13	17	25	31	37		
	Throw	1 2 5	3 5 10	5	8 12 19	11 15 23	15 20 28	18 23 32	20 25 35		
<b>Two Slot</b>	<b>Airflow per foot</b>	<b>15</b>	<b>30</b>	<b>45</b>	<b>60</b>	<b>75</b>	<b>90</b>	<b>105</b>	<b>120</b>		
	Static Pressure	0.005	0.017	0.040	0.072	0.115	0.162	0.222	0.291		
	Sound (NC)	~	~	12	20	28	31	36	40		
	Throw	1 1 3	5 8 16	10 14 23	13 18 28	16 22 32	19 25 36	22 27 38	24 31 42		
<b>Three Slot</b>	<b>Airflow per foot</b>	<b>20</b>	<b>40</b>	<b>60</b>	<b>80</b>	<b>100</b>	<b>120</b>	<b>140</b>	<b>160</b>	<b>180</b>	
	Static Pressure	0.003	0.012	0.030	0.054	0.087	0.127	0.173	0.231	0.294	
	Sound (NC)	~	~	10	17	24	29	34	38	42	
	Throw	1 2 5	5 9 18	9 15 25	14 19 30	17 23 34	20 26 38	22 28 40	24 30 43	26 32 46	
<b>Four Slot</b>	<b>Airflow per foot</b>	<b>40</b>	<b>60</b>	<b>80</b>	<b>100</b>	<b>120</b>	<b>140</b>	<b>160</b>	<b>180</b>	<b>200</b>	<b>240</b>
	Static Pressure	0.008	0.017	0.031	0.049	0.070	0.098	0.127	0.162	0.198	0.288
	Sound (NC)	~	~	13	19	23	27	31	34	38	43
	Throw	4 6 15	7 11 22	10 16 28	13 20 32	16 23 35	19 26 38	21 28 40	23 30 42	24 31 44	27 35 48

### Notes on Performance Data

- Performance data is based on tests conducted in accordance with ANSI/ASHRAE Standard 70-1991.
- Actual performance in the field may vary.
- Tests were conducted in isothermal conditions.
- Sound levels are based on a room absorption of 10 db re 10<sup>-12</sup> watts.

### Notes on Units of Measure Used

- Air flow is given in cubic feet per minute (CFM).
- Static Pressure is given in inches of water (w.g.).
- Sound data is given in NC.
- Throws are given in feet to terminal velocities of 150, 100 and 50 fpm, respectively.