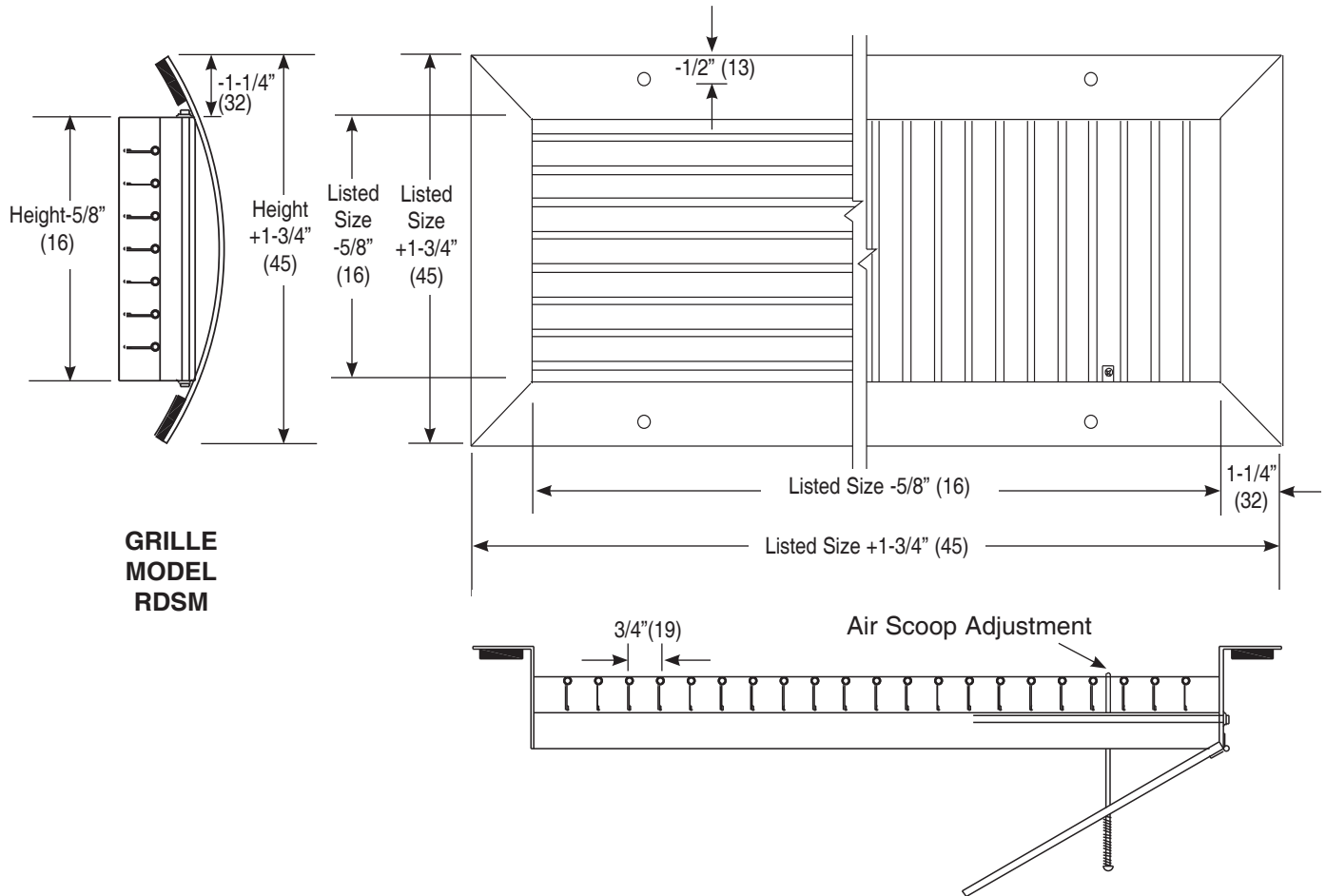


**Imperial [IP] Dimensions**  
**Metric (SI) in Parentheses**

CARNES COMPANY, 448 S. Main St., P. O. Box 930040, Verona, WI 53593-0040 Phone (608) 845.6411 Fax: (608) 845.6504 carnes@carnes.com



**GRILLE  
MODEL  
RDSM**

**NOTES:**

- Standard screws are #6 x 1 1/4" (32) phillips countersunk screws.
- Standard color is Carnes Bright White. Other colors are available on request.
- Blades can be aligned either horizontally or vertically, and are individually adjustable.
- Standard sizing is in even inch increments in both dimensions.
- The standard operator on the damper takes a medium size screwdriver.
- Metric dimensions are given in millimeters.
- Optional air scoop damper available.
- Thick foam gasket standard.
- Blades are individually adjustable.
- Larger sizes available upon request.
- Gasketing on frame is standard.
- Max 36" length in one piece.

Dimensions Listed In Inches						
Height	3	4	6	8	10	12
Duct Diameter (Min/Max)	6 / 36	8 / 36	10 / 36	12 / 36	14 / 36	16 / 36
Width (Min/Max)	10 / 36		14 / 36		16 / 36	18 / 36