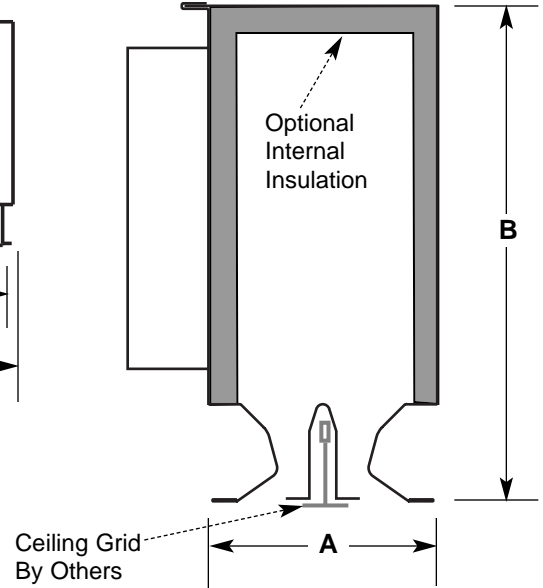
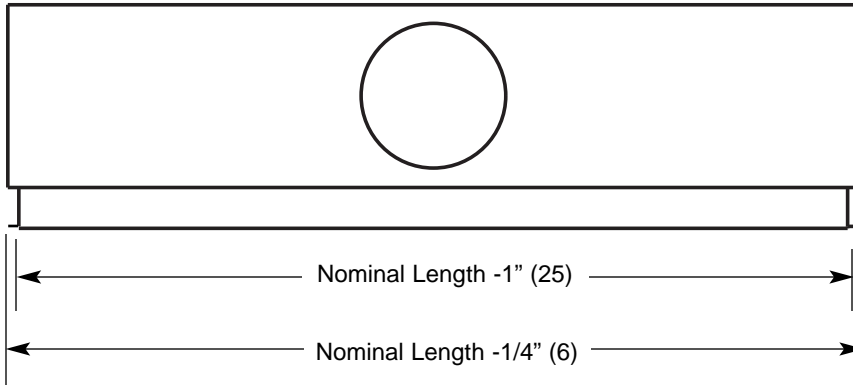


Fixed Discharge Plenum Slot Diffuser To Fit 15/16" (24) Flat Face T-bar

Imperial [IP] Dimensions
Metric (SI) in Parentheses

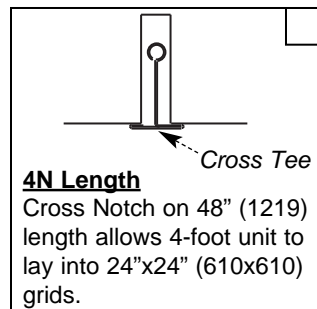
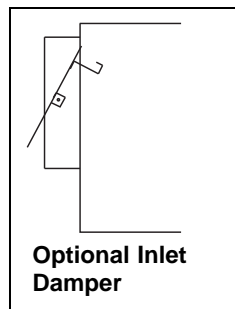
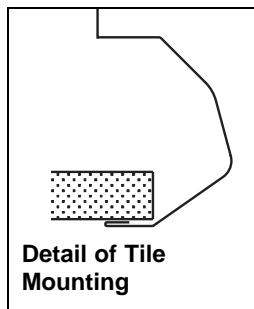
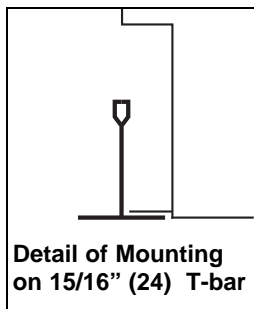
CARNES COMPANY 448 S. Main St., P. O. Box 930040, Verona, WI 53593-0040 Phone: (608)845-6411 Fax: (608)845-6504 www.carnes.com



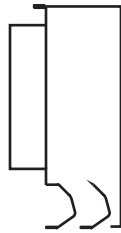
Notes:

- Standard lengths are nominal size 24" (610), 36" (914), 48" (1219) and 60" (1524).
- Construction is 24 gauge galvaneal steel.
- Blade edge is folded to double thickness for extra strength.
- Standard color is #11 Bright White.
- When specified, insulation is 1/2" (13), 2-pound density matte-finish fiberglass, internally mounted.
- Metric (SI) dimensions are shown in millimeters.
- For surface mounting use model KXFBA Auxiliary Mounting Frame.

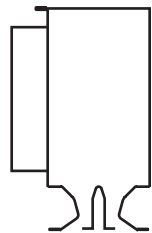
Nominal Inlet Size	Height (B)
5" (127), 6" (152)	9-1/4" (235)
7" (178), 8" (203), 9" (229)	12-7/16" (316)
10" (254)	14" (356)
12" (305)	15" (381)



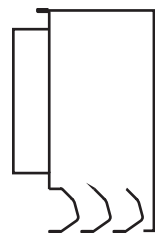
1-Slot
1-Way
A = 1-13/16"
(46)



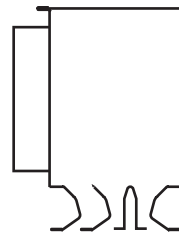
2-Slot
1-Way
A = 3-1/16"
(78)



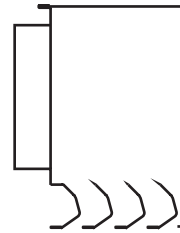
2-Slot
2-Way
A = 4-1/8"
(105)



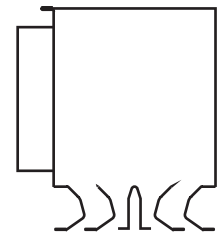
3-Slot
1-Way
A = 4-5/16"
(110)



3-Slot
2-Way
A = 5-3/8"
(137)



4-Slot
1-Way
A = 5-9/16"
(141)



4-Slot
2-Way
A = 6-5/8"
(168)