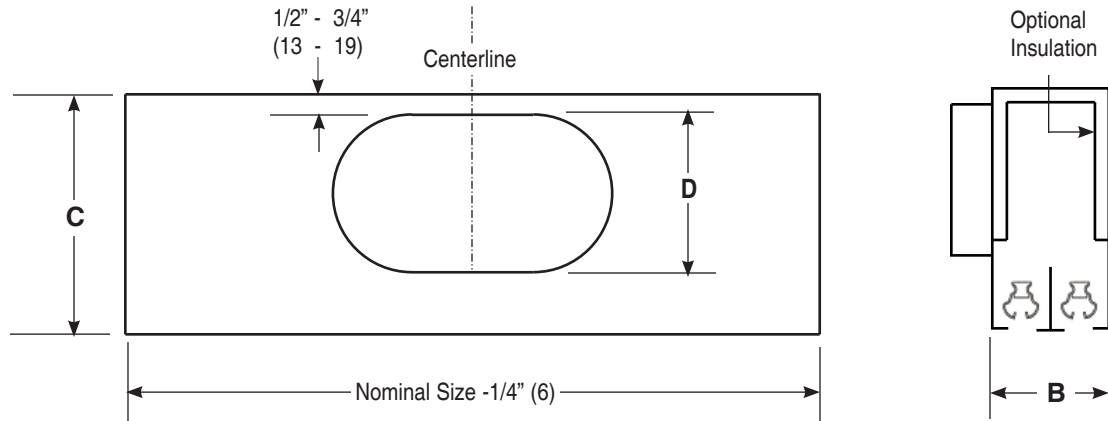


Imperial [IP] Dimensions  
Metric (SI) in Parentheses

CARNES COMPANY 448 S. Main St., P. O. Box 930040, Verona, WI 53593-0040 Phone: (608)845-6411 Fax: (608)845-6504 www.carnes.com

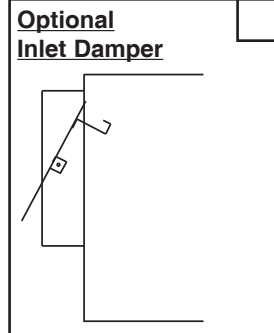
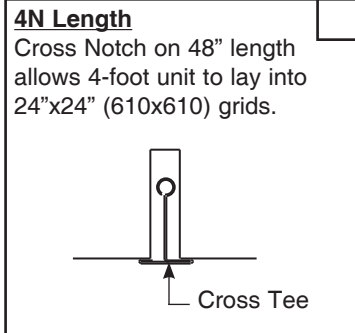


**Notes:**

- 24 gauge galvaneal steel construction.
- Face of unit is painted black as standard, with White Tees. Other finishes are available on request.
- For surface mounting use model KXFBA Auxiliary Mounting Frame.
- Metric (SI) dimensions are shown in millimeters.
- Adjustable pattern controllers allow 180 degree adjustment of discharge direction as well as volume control.
- When specified, insulation is 1/2" (13), 2-pound density matte-finish fiberglass, internally mounted.

Nominal Inlet Size	Dim. D
6" (152)	3-1/2" (89)
7" (178)	5-1/4" (133)
8" (203)	5-1/4" (133)
10" (254)	5-1/4" (133)
12" (305)	5-1/4" (133)

Slot Qty	Nominal Inlet Sizes	Dim. C
1-Slot	6" (152), 8" (203), 10" (254)	8" (203)
	12" (305)	11" (279)
2-Slot	6" (152), 8" (203), 10" (254)	8" (203)
	12" (305)	11" (279)
3-Slot	6" (152), 8" (203), 10" (254), 12" (305)	11" (279)
4-Slot	6" (152), 8" (203), 10" (254), 12" (305)	11" (279)



	Diffuser Width (Dimension B)		
	Slot Width (Dim. A)		
	3/4" (19)	1" (25)	1-1/2" (38)
1-Slot	2-1/8" (54)	2-1/4" (57)	2-3/4" (70)
2-Slot	3-3/4" (95)	4-1/4" (108)	5-1/4" (133)
3-Slot	5-1/2" (140)	6-1/4" (159)	7-3/4" (197)
4-Slot	7-1/2" (191)	8-1/4" (210)	10-1/4" (260)

