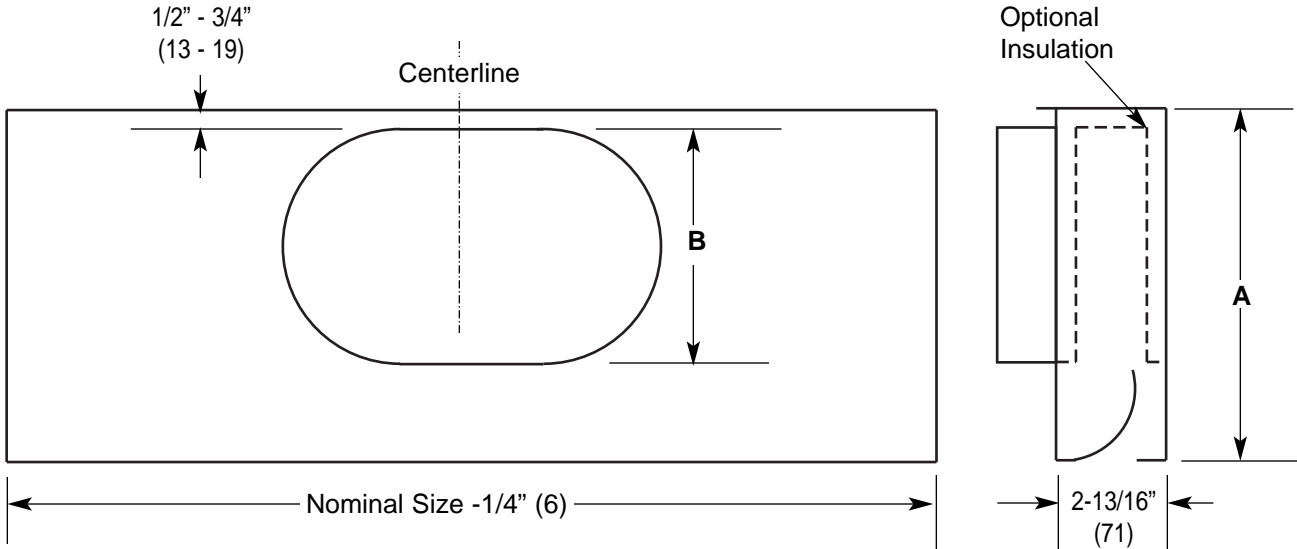


Imperial [IP] Dimensions
Metric (SI) in Parentheses

CARNES COMPANY 448 S. Main St., P. O. Box 930040, Verona, WI 53593-0040 Phone: (608)845-6411 Fax: (608)845-6504 www.carnes.com



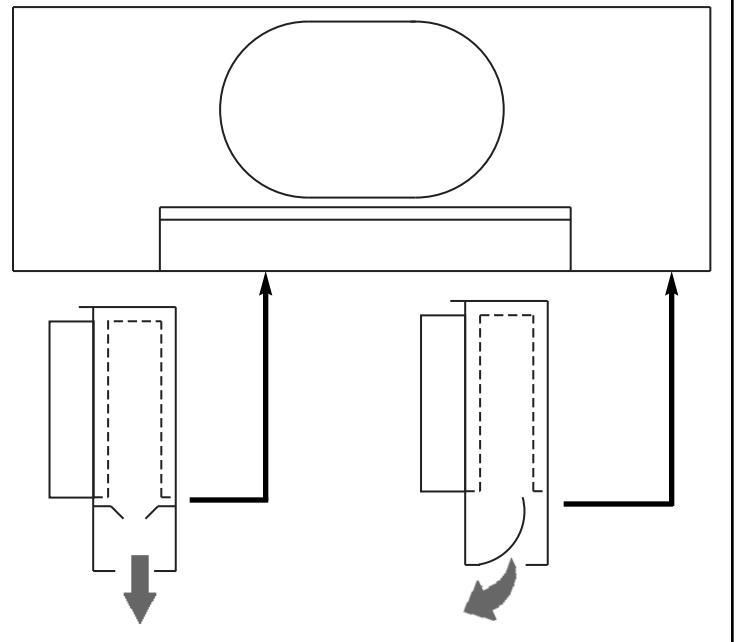
Nom. Neck Size	Inlet Height (Dim. B)	Unit Height (Dim. A)
5" (127)		
6" (152)	3-1/2" (89)	8" (203)
7" (178)		
8" (203)		
10" (254)	6" (152)	9" (229)
12" (305)		

Notes:

- 24 gauge galvanized steel construction.
- Standard color is #06 Flat Black.
- For surface mounting use model KXFBA Auxiliary Mounting Frame.
- Metric (SI) dimensions are shown in millimeters.
- When specified, insulation is 1/2", 2-pound density matte-finish fiberglass, internally mounted.
- Standard nominal lengths are 24" (610), 36" (914), 48" (1219) and 60" (1524).

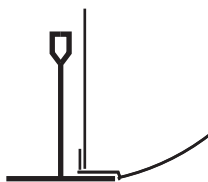
Center Down Blow Option "D"

When specified, the center of the diffuser is equipped with a down blow deflector, while the ends of the diffuser remain equipped with the standard deflector for this diffuser. This option is available on lengths 36" (914) and over.



Detail of Diffuser Face

Deflector is offset downward to be flush with face of ceiling grid.



Optional Inlet Damper

