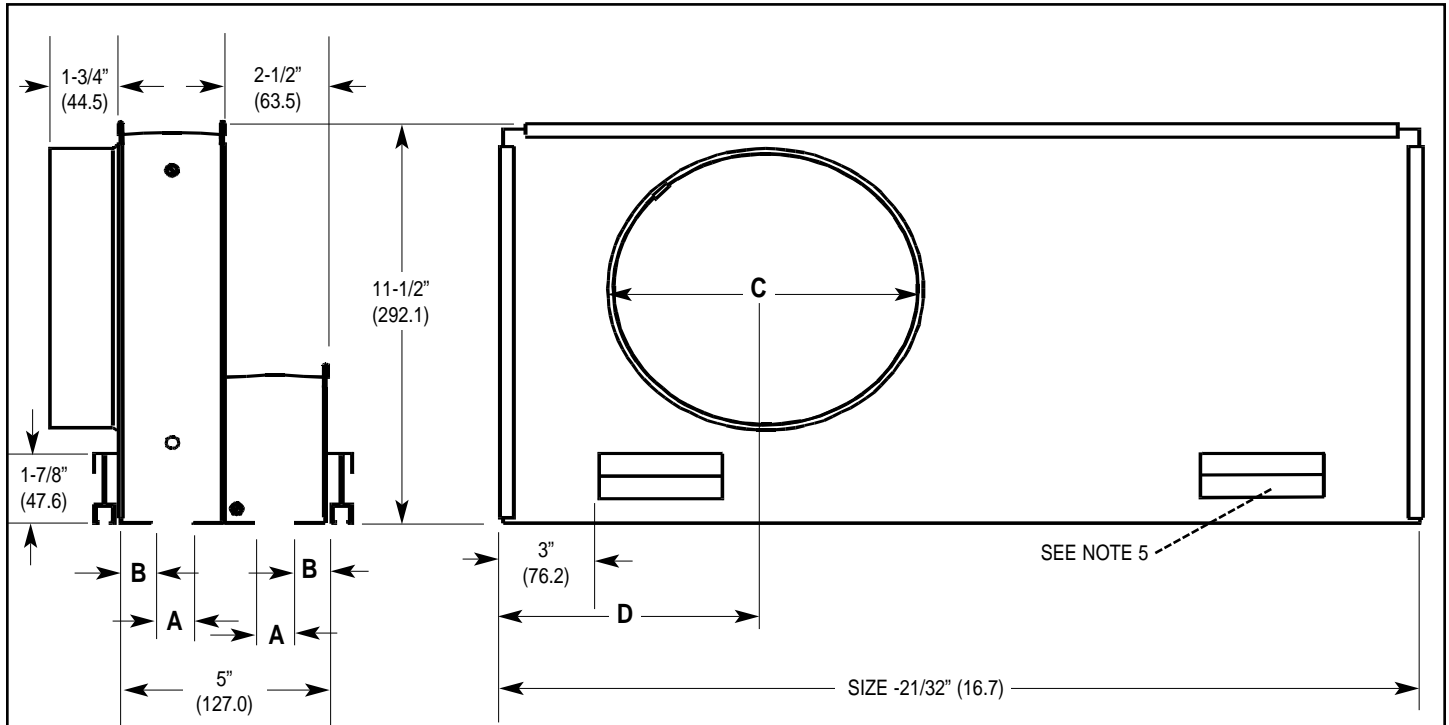


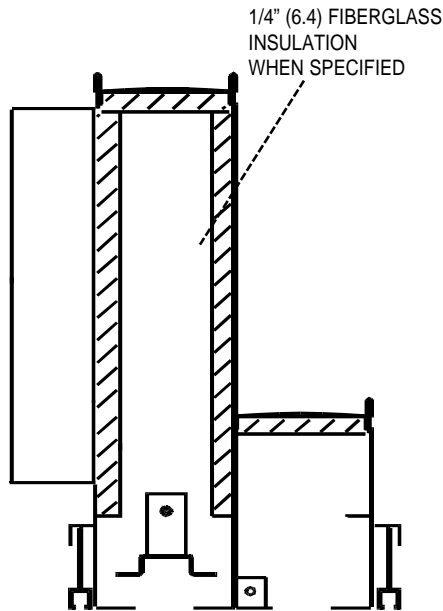
Imperial [IP] Dimensions
Metric (SI) in Parentheses

CARNES COMPANY 448 S. Main St., P. O. Box 930040, Verona, WI 53593-0040 Phone: (608)845-6411 Fax: (608)845-6504 www.carnes.com



DIMENSIONS LISTED IN INCHES (Millimeters)

Size	Inlet C	Slot Width A	B	D
24 (610)	5, 6, 7 (127, 152, 178)	3/4 (19.1)	29/32 (23.0)	6-3/4 (171.5)
	8, 9 (203, 229)	1 (25.4)	25/32 (19.8)	6-13/16 (173.0)
	10 (254)	1-1/2 (38.1)	17/32 (13.5)	9 (228.6)
	12 (305)			
30 (762)	5, 6, 7 (127, 152, 178)	3/4 (19.1)	29/32 (23.0)	8-1/2 (215.9)
	8, 9, 10 (203, 229, 254)	1 (25.4)	25/32 (19.8)	9 (228.6)
	12 (305)	1-1/2 (38.1)	17/32 (13.5)	
36 (914)	6, 7, 8 (152, 178, 203)	3/4 (19.1)	29/32 (23.0)	11-1/2 (292.1)
	9, 10 (229, 254)	1 (25.4)	25/32 (19.8)	9 (228.6)
	12 (305)	1-1/2 (38.1)	17/32 (13.5)	
48 (1219)	6, 7, 8 (152, 178, 203)	3/4 (19.1)	29/32 (23.0)	15 (381.0)
	9, 10, 12 (229, 254, 305)	1 (25.4)	25/32 (19.8)	
		1-1/2 (38.1)	17/32 (13.5)	
60 (1524)	6, 7, 8 (152, 178, 203)	3/4 (19.1)	29/32 (23.0)	21 (533.4)
	9, 10, 12 (229, 254, 305)	1 (25.4)	25/32 (19.8)	
		1-1/2 (38.1)	17/32 (13.5)	



NOTES:

- 24 gauge galvanealed steel construction.
- Face of unit painted black.
- Perimeter T-Bar by others.
- Insulation and balancing damper optional.
- Sizes 24" (610), 30" (762) and 36" (914) have two "T" Clips each side. Sizes 48" (1219) and 60" (1524) have three "T" Clips.
- On sizes 48" (1219) and 60" (1524) the pattern control blade is split in the center.

"Donn" and "Finline" are registered trademarks of USG Inc.