

**DFSB — Fixed Pattern Slot Diffuser — DFRB****Carnes Matched Fixed Pattern Slot Diffuser  
and Return Air Slot**

Model DFSB — Supply



Model DFRB — Return

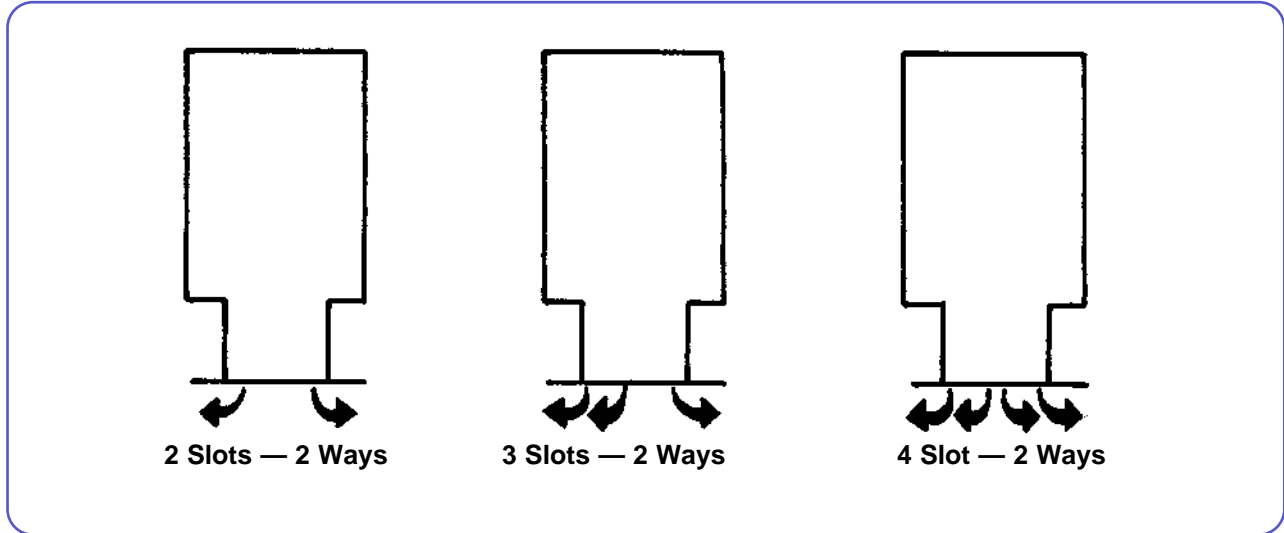
*Features*

- Eliminates drafts. Maintain horizontal air flow at levels below 10% of nominal CFM (50 CFM per linear foot of slot).
- The diffuser, in conjunction with return air slot, produces a high level of air induction to cause rapid and complete mixing of room air.
- Supplies uniform air distribution along the entire length of the slot (well within 10%).
- Available in one, two, three or four slots in four diffuser lengths.
- The T-bar type diffuser fits over T's, eliminating the need to add or remove grid members.
- Lower installation costs due to Carnes' innovative design of the linear slot diffuser eliminating 50% of the tile cost.
- Visual conformity. Linear slot diffusers and return air slots are identical in appearance.

**INTRODUCTION**

Carnes Models DFSB supply and DFRB return are fixed horizontal pattern slot diffusers for use in most exposed T-bar ceilings. The DFSB will hold a horizontal air pattern at less than 10% of nominal CFM

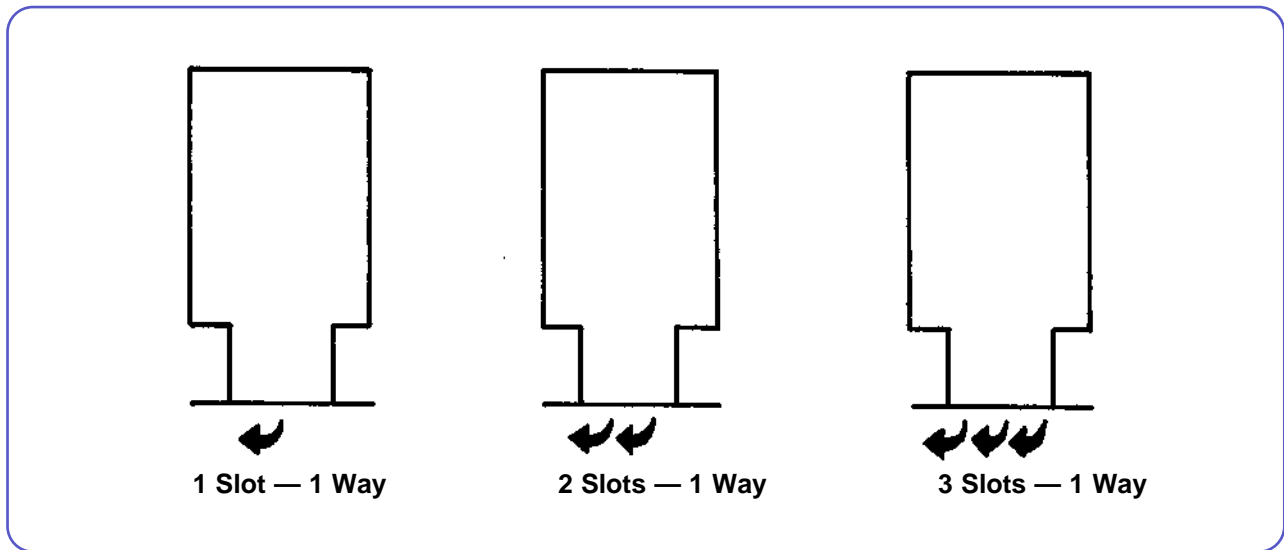
(50 per linear foot of slot). The return diffuser Model DFRB is identical in appearance to the DFSB to allow for complete continuity to ceiling appearance.



**DESCRIPTION**

Carnes fixed horizontal pattern slot diffusers are available in 1, 2, 3 or 4 slot models, and can be ordered in 24", 30", 48" and 60" lengths. The DFSB supply and DFRB return diffusers are constructed of 24 gauge painted formed galvanealed steel. The bright white finish matches most ceiling T-bars and tile. The integral insulated plenum is of 24 gauge galvanized construction. The plenum insulation is 1/4" - 3 lb. density fiberglass internally mounted and matte faced to prevent erosion. The insulation meets UL 181 and NFPA 90A requirements. Each supply

diffuser can be furnished with a 5", 6", 7" or 8" round plenum inlet. The 10" inlet, when specified, has an oval configuration. The supply diffuser plenum inlet collar is 1-3/4" deep for easy flex duct connections. The return diffuser plenum is also insulated and has open sides to return air to the ceiling plenum. The Carnes DFSB has an excellent air distribution pattern, no butterfly pattern. Slot velocity is uniform and sound levels are very low, giving you an efficient diffuser with excellent performance.

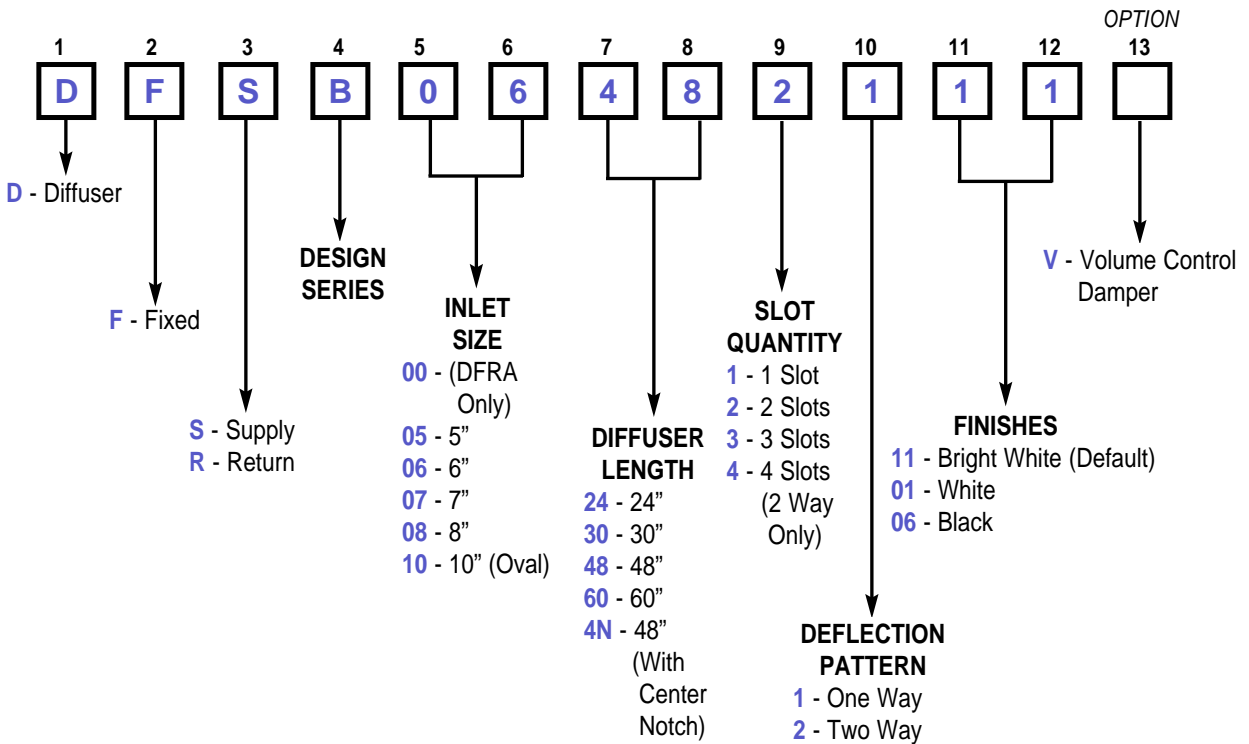


**SPECIFICATION GUIDELINES**

Carnes Models DFSB Supply and DFRB Return, horizontal pattern slot diffusers shall be installed at each location as shown on the drawings. All diffusers to have performance ratings of CFM, static pressure, noise criteria and throw as shown on the drawings. The diffusers shall be formed galvanealed steel construction in 1, 2, 3 or 4 slots. They shall be of 1 or 2

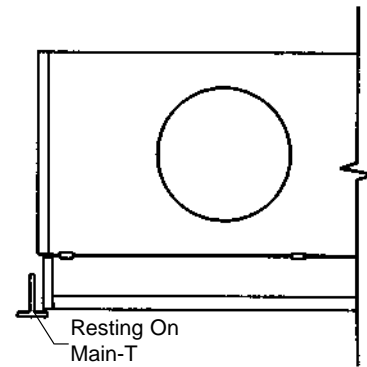
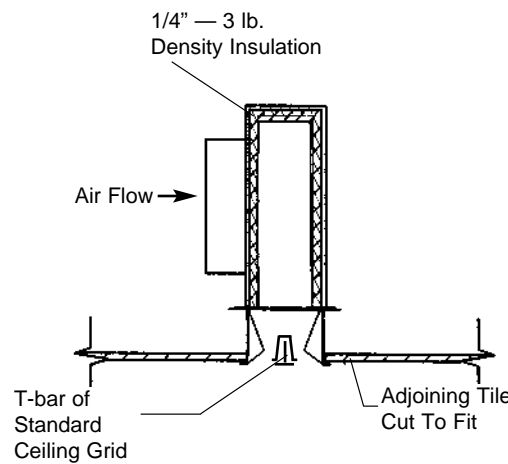
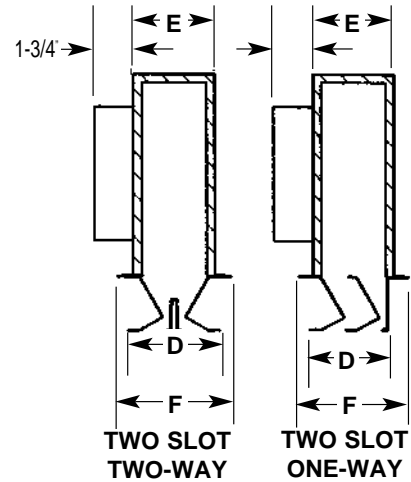
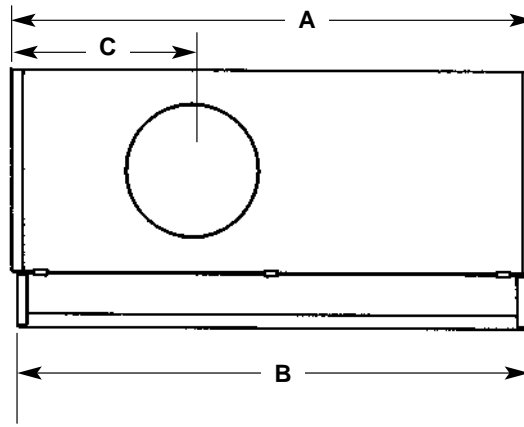
way throw patterns, with diffuser length as shown on the drawings. The diffuser plenum shall be thermally and acoustically insulated with 1/4" thick 3 lb. density fiberglass internally mounted and matte faced to prevent erosion. The insulation shall meet UL 181 and NFPA 90A requirements.

**▼ MODEL NUMBERING SYSTEM – Models DFSB and DFRB**



**Patent 3,406,623**

Model DFSA	(Inches) C
24 - 05	9-1/4
24 - 06	8-3/4
24 - 07	8-1/4
24 - 08	7-3/4
24 - 09	6-7/8
24 - 10	11-7/8
24 - 12	11-7/8
24 - 14	11-7/8
30 - 05	12-1/4
30 - 06	11-3/4
30 - 07	11-1/4
30 - 08	10-3/4
30 - 09	9-7/8
30 - 10	9-1/8
30 - 12	14-7/8
30 - 14	14-7/8
48 - 05	21-1/4
48 - 06	20-3/4
48 - 07	20-1/4
48 - 08	19-3/4
48 - 09	18-7/8
48 - 10	18-1/8
48 - 12	16-5/8
48 - 14	15
60 - 05	27-1/4
60 - 06	26-3/4
60 - 07	26-1/4
60 - 08	25-3/4
60 - 09	24-7/8
60 - 10	24-1/8
60 - 12	22-5/8
60 - 14	21

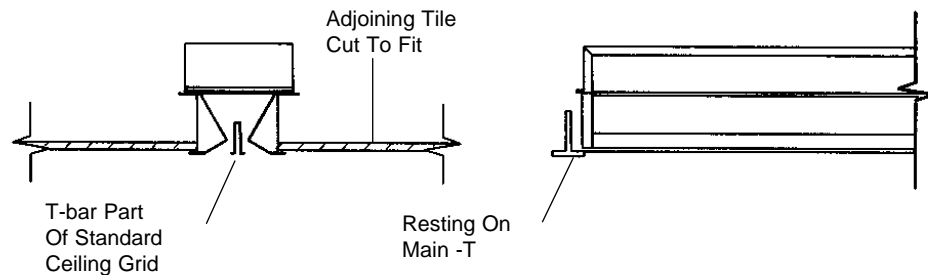
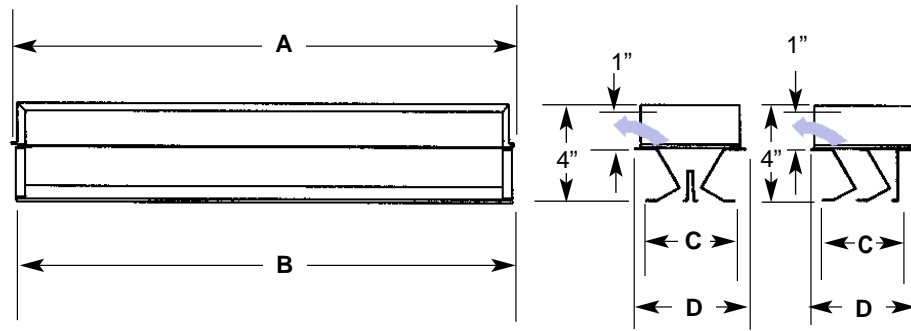


Model DFSA	Nominal Length	Slot Quantity	Pattern Deflection	DIMENSIONS LISTED IN INCHES				
				A	B	D	E	F
2411	24	1	One Way	23-13/16	23-1/8	1-7/8	2-5/8	2-7/8
2421	24	2	One Way	23-13/16	23-1/8	3-15/32	3-23/32	4-1/2
2422	24	2	Two Way	23-13/16	23-1/8	4-1/16	4-1/8	5-1/16
2431	24	3	One Way	23-13/16	23-1/8	5-1/16	5-5/16	6-1/16
2432	24	3	Two Way	23-13/16	23-1/8	5-21/32	5-29/32	6-21/32
2442	24	4	Two Way	23-13/16	23-1/8	7-1/4	7-1/2	8-1/4
3011	30	1	One Way	29-13/16	29-1/8	1-7/8	2-5/8	2-7/8
3021	30	2	One Way	29-13/16	29-1/8	3-15/32	3-23/32	4-1/2
3022	30	2	Two Way	29-13/16	29-1/8	4-1/16	4-1/8	5-1/16
3031	30	3	One Way	29-13/16	29-1/8	5-1/16	5-5/16	6-1/16
3032	30	3	Two Way	29-13/16	29-1/8	5-21/32	5-29/32	6-21/32
3042	30	4	Two Way	29-13/16	29-1/8	7-1/4	7-1/2	8-1/4
4811	48	1	One Way	47-13/16	47-1/8	1-7/8	2-5/8	2-7/8
4821	48	2	One Way	47-13/16	47-1/8	3-15/32	3-23/32	4-1/2
4822	48	2	Two Way	47-13/16	47-1/8	4-1/16	4-1/8	5-1/16
4831	48	3	One Way	47-13/16	47-1/8	5-1/16	5-5/16	6-1/16
4832	48	3	Two Way	47-13/16	47-1/8	5-21/32	5-29/32	6-21/32
4842	48	4	Two Way	47-13/16	47-1/8	7-1/4	7-1/2	8-1/4
6011	60	1	One Way	59-13/16	59-1/8	1-7/8	2-5/8	2-7/8
6021	60	2	One Way	59-13/16	59-1/8	3-15/32	3-23/32	4-1/2
6022	60	2	Two Way	59-13/16	59-1/8	4-1/16	4-1/8	5-1/16
6031	60	3	One Way	59-13/16	59-1/8	5-1/16	5-5/16	6-1/16
6032	60	3	Two Way	59-13/16	59-1/8	5-21/32	5-29/32	6-21/32
6042	60	4	Two Way	59-13/16	59-1/8	7-1/4	7-1/2	8-1/4

**NOTES:**

1. Inlet size to be specified.
2. Inlet sizes 5", 6", 7" and 8" are round. Size 9" & 10" (12" & 14" available) inlet is oval.
3. Diffuser is 24 gauge formed steel, painted.
4. Plenum is 24 gauge galvanized steel.
5. Plenums are insulated with 1/4" thick 3 lb. density matte-faced insulation.
6. Not recommended for 9/16" flat T-bar.

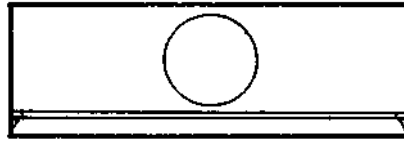
Patent 3,406,623



Model DFRB	Nominal Length	Slot Quantity	Pattern Deflection	DIMENSIONS LISTED IN INCHES			
				A	B	C	D
2411	24	1	One Way	23-13/16	23-1/8	1-7/8	2-7/8
2421	24	2	One Way	23-13/16	23-1/8	3-15/32	4-1/2
2422	24	2	Two Way	23-13/16	23-1/8	4-1/16	5-1/16
2431	24	3	One Way	23-13/16	23-1/8	5-1/16	6-1/16
2432	24	3	Two Way	23-13/16	23-1/8	5-21/32	6-21/32
2442	24	4	Two Way	23-13/16	23-1/8	7-1/4	8-1/4
3011	30	1	One Way	29-13/16	29-1/8	1-7/8	2-7/8
3021	30	2	One Way	29-13/16	29-1/8	3-15/32	4-1/2
3022	30	2	Two Way	29-13/16	29-1/8	4-1/6	5-1/16
3031	30	3	One Way	29-13/16	29-1/8	5-1/16	6-1/16
3032	30	3	Two Way	29-13/16	29-1/8	5-21/32	6-21/32
3042	30	4	Two Way	29-13/16	29-1/8	7-1/4	8-1/4
4811	48	1	One Way	47-13/16	47-1/8	1-7/8	2-7/8
4821	48	2	One Way	47-13/16	47-1/8	3-15/32	4-1/2
4822	48	2	Two Way	47-13/16	47-1/8	4-1/16	5-1/16
4831	48	3	One Way	47-13/16	47-1/8	5-1/16	6-1/16
4832	48	3	Two Way	47-13/16	47-1/8	5-21/32	6-21/32
4842	48	4	Two Way	47-13/16	47-1/8	7-1/4	8-1/4
6011	60	1	One Way	59-13/16	59-1/8	1-7/8	2-7/8
6021	60	2	One Way	59-13/16	59-1/8	3-15/32	4-1/2
6022	60	2	Two Way	59-13/16	59-1/8	4-1/16	5-1/16
6031	60	3	One Way	59-13/16	59-1/8	5-1/16	6-1/16
6032	60	3	Two Way	59-13/16	59-1/8	5-21/32	6-21/32
6042	60	4	Two Way	59-13/16	59-1/8	7-1/4	8-1/4

**NOTES:**

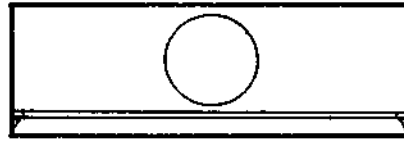
1. Diffuser is 24 gauge formed galvanealed steel painted.
2. Light baffle is 24 gauge galvanized steel.
3. Not recommended for 9/16" flat T-bar.



**Front View**

Model DFSB	Nominal Length	Number of Slot	CFM	Static Pressure Drop (Inches)	THROW FEET				Sound Power db Octave Band							NC			
					Distance From Discharge Device, When FPM Equals				2	3	4	5	6	7					
					50 FPM	75 FPM	100 FPM	150 FPM											
2411	24"	1	25	.01	5	2	1	1	—	—	—	—	—	—	—	—			
			50	.02	13	9	5	2	—	—	—	—	—	—	—	—			
			75	.06	19	13	10	5	—	36	32	—	—	—	—	—			
			100	.11	22	18	13	9	47	45	40	33	27	—	24				
			125	.20	24	20	16	11	49	49	45	40	35	30	30				
2421	24"	2	50	.01	12	5	3	1	—	—	—	—	—	—	—				
			100	.04	22	15	10	5	—	34	—	—	—	—	—				
			150	.09	28	22	17	10	47	44	36	34	25	—	23				
			200	.15	32	27	22	15	48	50	44	42	28	—	31				
			250	.24	35	30	24	19	49	55	50	48	31	—	37				
2422	24"	2	50	.01	7	4	2	1	—	—	—	—	—	—	—				
			100	.03	14	9	7	4	—	30	—	—	—	—	—				
			150	.06	22	14	10	7	—	41	35	30	—	—	20				
			200	.15	25	19	14	10	45	48	42	40	35	—	29				
			250	.22	28	23	18	12	50	52	48	46	42	33	35				
2431	24"	3	75	.01	18	14	7	4	—	—	—	—	—	—	—				
			150	.03	28	23	18	12	—	34	—	—	—	—	—				
			225	.07	36	28	24	18	—	44	37	33	—	—	23				
			300	.13	40	33	28	23	47	50	44	42	34	27	31				
			375	.20	46	36	33	25	51	57	49	49	42	36	37				
2432	24"	3	75	.01	1-Slot 5	2-Slot 12	1-Slot 2	2-Slot 5	1-Slot 1	2-Slot 3	1-Slot 1	2-Slot 1	—	—	—	—			
			150	.03	13	22	9	15	5	10	2	5	—	33	—	—	—		
			225	.07	19	28	13	22	10	17	5	10	—	42	36	—	22		
			300	.14	22	32	18	27	13	22	9	15	47	49	43	42	37	30	31
			375	.23	24	35	20	30	16	24	11	19	51	58	48	49	45	38	38
2442	24"	4	100	.01	12	5	3	1	—	—	—	—	—	—	—				
			200	.05	22	15	10	5	48	35	29	—	—	—	—				
			300	.11	28	22	17	10	50	45	39	36	26	—	25				
			400	.19	32	27	22	15	51	52	46	44	38	31	33				
			500	.29	35	30	24	19	53	58	52	51	47	38	39				

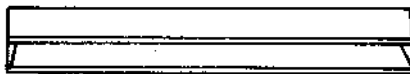
Model DFSB	Nominal Length	Number of Slot	CFM	Static Pressure Drop (Inches)	THROW FEET				Sound Power db Octave Band							NC			
					Distance From Discharge Device, When FPM Equals				2	3	4	5	6	7					
					50 FPM	75 FPM	100 FPM	150 FPM											
3011	30"	1	25	.01	5	2	1	—	—	—	—	—	—	—	—				
			50	.02	9	4	2	1	—	—	—	—	—	—	—				
			75	.05	20	9	5	2	—	35	28	—	—	—	—				
			100	.09	24	18	10	4	44	43	37	27	—	—	22				
			125	.15	27	22	13	6	47	48	43	36	27	—	26				
3021	30"	2	50	.01	3	2	1	—	—	—	—	—	—	—					
			100	.02	15	6	3	2	—	30	—	—	—	—					
			150	.05	21	15	8	3	44	41	33	27	—	—	20				
			200	.09	24	19	15	6	44	47	39	36	28	—	26				
			250	.14	27	23	18	10	50	52	46	41	34	29	32				
3022	30"	2	50	.01	4	2	1	—	—	—	—	—	—	—					
			100	.02	9	6	4	2	—	27	—	—	—	—					
			150	.05	14	9	7	4	—	38	28	—	—	—					
			200	.09	17	12	9	6	44	45	37	33	28	—	24				
			250	.14	19	15	11	8	49	50	43	40	36	28	30				
3031	30"	3	100	.01	12	9	5	2	—	—	—	—	—	—					
			200	.03	23	17	12	9	—	37	29	—	—	—					
			300	.09	28	23	19	12	44	47	40	37	27	—	27				
			400	.16	33	27	24	17	49	53	50	48	41	37	36				
			500	.25	37	31	26	21	52	58	56	55	52	42	44				
3032	30"	3	100	.01	1-Slot 2	2-Slot 3	1-Slot 1	2-Slot 2	1-Slot 1	2-Slot 1	1-Slot 1	2-Slot 1	—	—	—				
			200	.03	9	15	4	6	2	3	1	2	—	34	—	—			
			300	.08	20	21	9	15	5	8	2	3	—	44	37	35	28	—	
			400	.15	24	24	18	19	10	15	4	6	48	51	45	44	39	32	33
			500	.23	27	27	22	23	13	18	6	10	51	56	51	52	48	38	30
3042	30"	4	150	.01	3	1	1	—	—	—	—	—	—	—					
			300	.04	12	6	3	1	—	41	34	30	—	—	—				
			450	.11	18	12	7	3	50	53	47	46	39	32	35				
			600	.21	22	17	12	6	55	59	56	55	50	42	44				
			750	.35	25	20	16	8	59	65	63	62	58	52	51				



Front View

Model DFSB	Nominal Length	Number of Slot	CFM	Static Pressure Drop (Inches)	THROW FEET				Sound Power db							NC		
					Distance From Discharge Device, When FPM Equals				Octave Band									
					50 FPM	75 FPM	100 FPM	150 FPM	2	3	4	5	6	7				
4811	48"	1	50	.01	6	3	1	1	—	—	—	—	—	—	—	—		
			100	.04	15	10	6	3	—	29	—	—	—	—	—	—		
			150	.10	21	16	11	6	—	39	35	28	—	—	—	—		
			200	.18	24	20	15	10	46	44	41	37	31	27	24	—		
			250	.30	27	22	19	12	48	50	46	43	39	37	30	—		
4821	48"	2	100	.015	12	8	5	2	—	—	—	—	—	—	—			
			200	.07	20	16	12	8	—	40	34	30	—	—	—			
			300	.16	25	20	18	12	45	49	44	44	36	29	33			
			400	.29	29	24	20	16	49	54	50	51	46	38	39			
			500	.44	33	26	22	18	52	59	56	57	54	46	46			
4822	48"	2	100	.01	8	4	2	1	—	33	—	—	—	—	—			
			200	.05	17	11	8	4	—	36	29	—	—	—	—			
			300	.12	22	17	13	8	46	46	41	39	31	—	28			
			400	.24	25	21	17	11	49	52	48	47	43	34	36			
			500	.38	28	23	20	14	52	56	53	54	51	45	43			
4831	48"	3	150	.01	20	13	8	4	—	—	—	—	—	—	—			
			300	.07	28	22	20	13	—	40	33	—	—	—	—			
			450	.15	35	28	24	20	45	50	44	44	37	28	33			
			600	.21	40	33	28	22	51	56	52	54	48	40	43			
			750	.40	45	36	31	25	56	61	58	62	57	49	51			
4832	48"	3	150	.01	1-Slot 6	2-Slot 12	1-Slot 3	2-Slot 8	1-Slot 1	2-Slot 5	1-Slot 1	2-Slot 2	—	—	—	—		
			300	.05	15	20	10	16	6	12	3	8	—	38	30	—	—	
			450	.13	21	25	16	20	11	18	6	12	44	50	42	42	34	—
			600	.23	24	29	20	24	15	20	10	16	51	55	52	51	45	38
			750	.36	27	33	22	26	19	22	12	18	56	62	59	58	54	47
4842	48"	4	200	.015	12	8	5	2	—	—	—	—	—	—	—			
			400	.07	20	16	12	8	—	43	36	35	26	25	24			
			600	.17	25	20	18	12	47	52	49	49	42	35	37			
			800	.32	29	24	20	16	52	57	55	56	52	45	45			
			1000	.50	33	26	22	18	60	62	62	62	60	53	51			

Model DFSB	Nominal Length	Number of Slot	CFM	Static Pressure Drop (Inches)	THROW FEET				Sound Power db							NC		
					Distance From Discharge Device, When FPM Equals				Octave Band									
					50 FPM	75 FPM	100 FPM	150 FPM	2	3	4	5	6	7				
6011	60"	1	50	.01	4	2	1	—	—	—	—	—	—	—	—			
			100	.04	12	8	4	2	—	29	—	—	—	—	—			
			150	.10	15	12	9	4	—	39	33	31	—	—	20			
			200	.18	17	14	12	8	—	47	39	38	34	27	26			
			250	.26	19	16	14	10	46	50	44	42	42	39	31			
6021	60"	2	100	.01	9	6	3	2	—	37	30	—	—	—	—			
			200	.04	15	13	9	6	39	41	30	27	—	—	—			
			300	.04	19	15	13	9	43	48	42	40	33	—	29			
			400	.20	22	17	15	13	47	53	50	49	44	34	37			
			500	.31	25	20	16	14	52	57	56	55	53	48	44			
6022	60"	2	100	.01	3	2	1	—	—	—	—	—	—	—				
			200	.05	10	6	3	2	—	37	28	—	—	—	—			
			300	.10	15	10	3	2	44	46	39	36	29	—	24			
			400	.18	18	14	10	6	48	52	48	45	41	32	32			
			500	.28	19	16	13	9	53	57	53	51	48	43	39			
6031	60"	3	150	.01	10	5	3	1	44	—	—	—	—	—	—			
			300	.04	24	17	10	5	46	39	30	30	—	—	—			
			450	.10	30	24	19	10	47	49	42	42	35	—	31			
			600	.18	33	28	24	17	50	54	50	51	46	35	39			
			750	.33	38	30	26	21	53	61	56	56	54	45	45			
6032	60"	3	150	.01	1-Slot 4	2-Slot 7	1-Slot 2	2-Slot 6	1-Slot 1	2-Slot 3	1-Slot —	2-Slot 2	—	—	—			
			300	.04	12	15	8	13	4	9	2	6	—	37	27	24	—	
			450	.10	15	19	12	15	9	13	4	9	44	47	39	39	31	—
			600	.18	17	22	14	17	12	15	8	13	50	52	47	48	41	35
			750	.27	19	25	16	20	14	16	10	14	58	58	53	53	49	43
6042	60"	4	200	.01	9	6	3	2	—	—	—	—	—	—	—			
			400	.04	15	13	9	6	48	35	31	32	—	—	—			
			600	.10	19	15	13	9	53	51	46	47	36	30	32			
			800	.20	22	17	15	13	57	59	51	52	48	40	40			
			1000	.34	25	20	16	14	60	65	57	58	57	48	48			

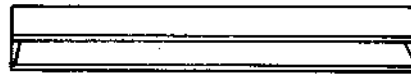


Front View

Model DFRB	Nominal Length	Number of Slots	CFM	Static Pressure Drop (Inches)	Sound Power db Octave Band						NC
					2	3	4	5	6	7	
2411	24"	1	25	.01	—	—	—	—	—	—	—
			50	.06	—	31	27	24	—	—	—
			75	.11	40	39	36	34	32	—	23
			100	.24	46	45	43	42	41	32	32
2421	24"	2	50	.01	—	25	—	—	—	—	L
			100	.07	—	34	30	27	—	—	L
			150	.17	43	42	39	37	35	26	26
			200	.33	49	48	47	45	44	35	35
2422	24"	2	50	.01	—	—	—	—	—	—	—
			100	.05	—	30	22	—	—	—	—
			150	.11	43	41	34	31	30	23	21
			200	.25	47	48	44	40	38	31	29
2431	24"	3	75	.01	—	24	—	—	—	—	L
			150	.05	—	43	29	26	—	—	L
			225	.12	45	44	38	35	35	27	26
			300	.23	48	46	45	42	43	33	34
2432	24"	3	75	.01	—	—	—	—	—	—	L
			150	.05	—	37	28	25	—	—	L
			225	.12	46	45	39	35	31	27	23
			300	.24	49	51	47	43	39	31	32
2442	24"	4	100	.01	—	24	—	—	—	—	L
			200	.05	—	33	25	—	—	—	L
			300	.13	46	44	37	34	33	26	24
			400	.25	50	51	47	43	41	34	32

Model DFRB	Nominal Length	Number of Slots	CFM	Static Pressure Drop (Inches)	Sound Power db Octave Band						NC
					2	3	4	5	6	7	
3011	30"	1	30	.01	—	—	—	—	—	—	L
			65	.06	—	31	27	24	—	—	L
			95	.11	—	41	37	35	33	—	25
			125	.24	47	46	44	43	42	33	33
3021	30"	2	65	.01	—	26	—	—	—	—	L
			125	.07	—	35	31	28	—	—	L
			190	.17	44	42	39	37	35	26	26
			250	.23	50	49	48	46	45	36	36
3022	30"	2	65	.01	—	—	—	—	—	—	L
			125	.05	—	31	23	—	—	—	L
			190	.13	44	42	35	32	31	24	21
			250	.25	48	49	45	50	39	32	29
3031	30"	3	95	.01	—	25	—	—	—	—	L
			190	.05	—	44	29	26	—	—	L
			280	.12	46	45	39	36	36	27	27
			375	.23	49	47	46	43	44	34	35
3032	30"	3	95	.01	—	—	—	—	—	—	L
			190	.05	—	37	29	26	—	—	L
			280	.12	47	46	40	36	32	28	24
			375	.24	50	52	48	44	40	32	33
3042	30"	4	125	.01	—	25	—	—	—	—	L
			250	.05	—	34	26	—	—	—	L
			375	.13	47	45	38	35	34	27	25
			500	.25	51	52	48	44	42	35	33





Front View

Model Number	Nominal Length	Number of Slots	CFM	Static Pressure Drop (Inches)	Sound Power db Octave Band						NC
					2	3	4	5	6	7	
4811	48"	1	50	.01	—	—	—	—	—	—	—
			100	.06	—	34	27	24	—	—	—
			150	.11	43	39	36	34	32	—	26
			200	.24	49	48	46	45	44	35	35
4821	48"	2	100	.01	—	—	—	—	—	—	—
			200	.06	52	45	36	30	27	25	24
			300	.15	56	51	46	41	35	28	37
			400	.26	60	62	55	50	44	34	42
4822	48"	2	100	.01	—	—	—	—	—	—	—
			200	.06	—	33	25	—	—	—	—
			300	.14	46	44	37	34	33	26	24
			400	.26	50	51	47	43	41	34	32
4831	48"	3	150	.02	—	—	—	—	—	—	—
			300	.09	52	44	38	31	24	—	23
			450	.19	58	56	48	45	37	27	36
			600	.32	61	66	55	51	49	38	47
4832	48"	3	150	.01	—	—	—	—	—	—	—
			300	.06	50	42	41	25	—	—	25
			450	.15	54	56	44	39	31	—	36
			600	.25	64	63	54	48	40	31	43
4842	48"	4	200	.025	—	28	—	—	—	—	—
			400	.09	55	46	35	31	27	26	27
			600	.19	58	58	49	45	41	31	38
			800	.31	64	65	58	53	45	37	46

Model Number	Nominal Length	Number of Slots	CFM	Static Pressure Drop (Inches)	Sound Power db Octave Band						NC
					2	3	4	5	6	7	
6011	60"	1	63	.01	—	—	—	—	—	—	—
			125	.06	—	35	28	25	—	—	—
			190	.11	44	40	37	35	33	—	27
			250	.24	50	49	47	45	45	46	36
6021	60"	2	125	.01	—	—	—	—	—	—	—
			250	.07	53	46	37	31	28	26	25
			375	.15	57	58	47	42	36	29	38
			500	.28	61	63	56	51	45	35	43
6022	60"	2	125	.01	—	—	—	—	—	—	—
			250	.06	—	34	26	—	—	—	—
			375	.14	47	45	38	35	34	27	25
			500	.26	51	52	48	46	42	35	33
6031	60"	3	190	.02	—	—	—	—	—	—	—
			375	.09	53	45	39	32	25	—	24
			560	.19	59	57	49	46	38	28	37
			750	.32	62	67	56	52	50	39	48
6032	60"	3	190	.01	—	—	—	—	—	—	L
			375	.06	51	43	42	26	—	—	26
			560	.15	55	57	45	40	31	—	37
			750	.25	65	64	55	49	41	32	44
6042	60"	4	250	.03	—	28	—	—	—	—	L
			500	.09	56	47	36	33	28	27	28
			750	.19	59	59	50	46	42	32	39
			1000	.31	65	66	59	54	46	38	47

Carnes Fixed Pattern Slot Diffusers Models DFSB Supply and DFRB Return are designed to be supported by the T-bar ceiling grid system. The diffuser utilizes the “T” for control of the air distribution pattern. If T-bars with a face dimension of less than 15/16” are used, there may be dumping of supply air at low CFM’s.

The two way blow units straddle the main T-bar and are either wired to the T-bars that run perpendicular to the diffuser at each end or wired to structural supports above. The methods are shown below.

One way blow units are set along side the T-bar with the air pattern blowing away from the T-bar. The one way blow units are supported in the same manner as the two way units.

After the slot diffusers are installed the support tile must be trimmed and laid on the edge of the louver to fill out the opening. No additional T-bars are required.

