



**Application**

This acts to straighten and even out air flow that may have been disrupted by branch take-offs or sharp turns.

**Standard Features**

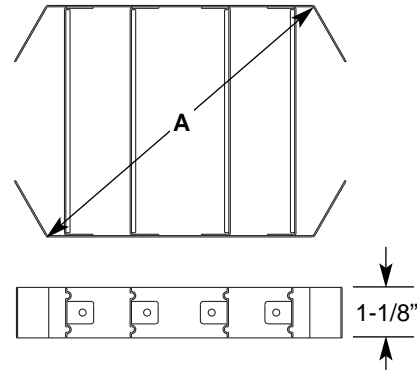
- Blades are individually adjustable for easy tuning.
- Installation is tools-free.
- Construction is of heavy gauge steel.
- Standard finish is electrocoat baked enamel.
- Standard color is #04 gray.

**Installation Notes**

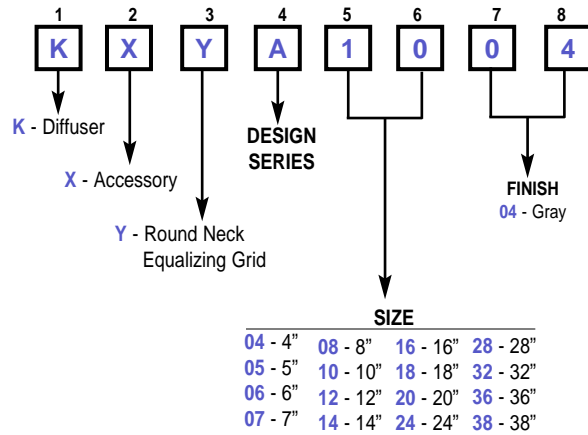
- The end tabs hold the grid in place by friction.
- When used with take-offs, recommended location is flush with the duct take-off collar.

**Dimensional Data**

Size	Dim. A	Size	Dim. A
4"	3-3/4"	16	15-3/4"
5"	4-3/4"	18	17-3/4"
6"	5-3/4"	20	19-3/4"
7"	6-3/4"	24	23-3/4"
8"	7-3/4"	28	27-3/4"
10"	9-3/4"	32	31-3/4"
12"	11-3/4"	36	35-3/4"
14	13-3/4"	38	37-3/4"



**Model Numbering System**



**Sectorizing Baffle (KXBA)**

**Application**

This installs in the duct directly above the diffuser, and prevents the air leaving the diffuser from impinging on a wall, column, etc.

**Standard Features**

- Available in 45°, 90°, 135°, 180° and 270° segments.
- Construction is steel.
- Standard finish is electrocoat acrylic baked enamel.
- Standard color is #04 gray.
- Installation is by screwing through mounting tabs into the duct.

**Model Numbering System**

