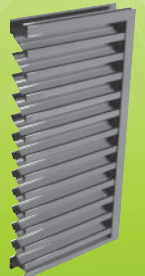
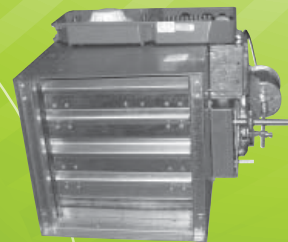


**AIR SPECIALTIES**  
**express**<sup>®</sup>  
Commercial HVAC Products

**Your path to  
quality HVAC solutions**



[www.airspecialties.com](http://www.airspecialties.com)  
1.877.945.9175

September 2015  
Catalog ASX-MINI

# TABLE OF CONTENTS

Fans and Ventilators .....	3-9
Louvers.....	10
Fire, Smoke and Ceiling Radiation Dampers.....	11-13
Registers, Grilles and Diffusers.....	14-19
Terminal Units .....	20-21
Humidifiers.....	22-23

## A Fast Ship Program For Every Need.

ASX offers many stock and quick build programs to meet your needs for fast shipment even on custom configured products. ASX sales representatives lead the industry with online factory order capability, electronically expediting your order directly into the factory production stream.

### NOTES:

- All programs are subject to a maximum quantity.
- All programs are subject to specific sizes and constructions.

48  
Hour

### 48-Hour Stock Service

■ A Large selection of products with off-the-shelf shipment within 48 Hours.

- Steel Square Diffusers
- Steel Louvered Diffusers
- Alum. Registers & Grilles
- Humidifier Accessories
- Steel Stamped Perforated Diffusers
- Aluminum Square Diffusers
- Equalizing Grids
- Steel Registers & Grilles
- Dampers-Round & Square
- Ceiling Fans & Accessories

Vent  
Express

### Ventilator Express Service

2  
Day

5  
Day

10  
Day

■ Express service on hundreds of ventilators.

■ All express power vents have motor and drive mounted.

- Centrifugal Power Roof Ventilators
- Square Inline Duct Fans
- Centrifugal Wall Ventilators
- UL-762 Restaurant Exhausters
- Sidewall Propeller Fans
- Centrifugal Filtered Supply Fans
- Ceiling & Cabinet Fans
- Gravity Intake/Exhaust Hoods
- Dampers & Accessories

LQS

### Louver & Damper Quick Ship

LQS6

LQS10

- J Blade Louvers
- Drainable Blade Louvers
- Combination Louver/Dampers
- Sight Proof Louvers
- Wind Driven Rain Louvers
- Hurricane Louvers
- Control Dampers
- Balancing Dampers

FDQS

### Fire & Smoke Damper Quick Ship

FDQS3

FDQS6

FDQS10

- Fire Dampers
- Fire/Smoke Dampers
- Smoke Dampers
- Ceiling Radiation Dampers

EQS

### Diffusers, Registers & Grilles Emergency Quick Ship

7  
Day

10  
Day

- Stamped Louvered Diffusers
- Stamped Perforated Diffusers
- Square & Rectangular Diffusers
- Linear Diffusers
- Spun Round Diffusers
- Registers & Grilles
- Auxiliary Frames
- Slot Diffusers
- Egg Crate

VAV  
Quickship

### Terminal Unit Fast Ship Service

5  
Day

10  
Day

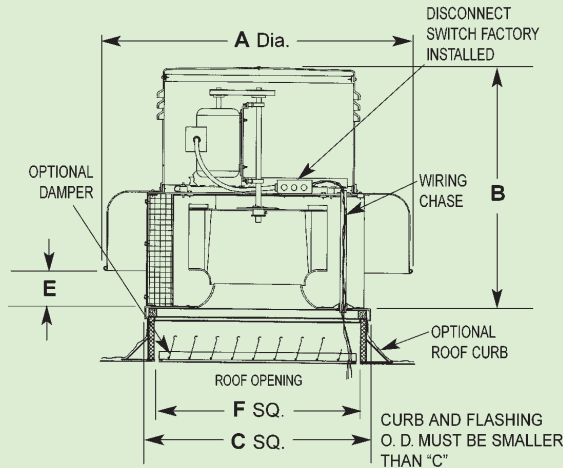
■ Fast shipment of most popular unit types and a large selection of unit sizes.

- Single Duct Units with or without Hot Water Reheat
- Pressure Dependent Controls
- Pressure Independent Controls
- Accessories

# DOWNBLAST ROOF EXHAUSTERS - BELT DRIVE

## STANDARD FEATURES

- Spun and shaped aluminum housing.
- Birdscreen — galvanized.
- Integral motor overload protection on all standard single phase motors.
- Disconnect switch on all motors except explosion proof.
- Adjustable pitch V-belt drives.
- Two belts furnished on 5 HP and above.
- Ventilated motor compartment with motor out of airstream.
- Non-overloading, backwardly inclined wheel.
- Isolated, suspended motor wheel-drive assembly.
- Spark resistant construction through size 24.
- Polished CRS fan shaft with rust inhibitive coating.
- Pillow block bearing L<sub>50</sub> = 200,000 hours.



## Model VEBK

Vent Express



DIMENSIONS LISTED IN INCHES									
Unit Size	Unit Dia. A	Unit Height B		Inside Curb Cap C	E	Roof Opening Square F	Roof Curb O. D. Square	Damper Size Square	Wt. Less Motor [Lbs]
		Standard Height	Extended Height						
06	25-3/4	21-7/8	26-5/8	15-1/2	2-7/8	11	14	10	30
08	25-3/4	23-1/4	28	15-1/2	4-1/4	11	14	10	30
10	27-3/4	23-7/8	28-5/8	17-5/8	3-1/2	13	16	12	35
12	27-3/4	25-1/2	30-1/4	17-5/8	5-1/8	13	16	12	35
15	32-3/4	28-1/2	33-1/4	20-1/2	6-1/2	16	19	15	50
18	37-3/4	29-5/8	34-3/8	25	7-3/4	20-1/2	23-1/2	19	65

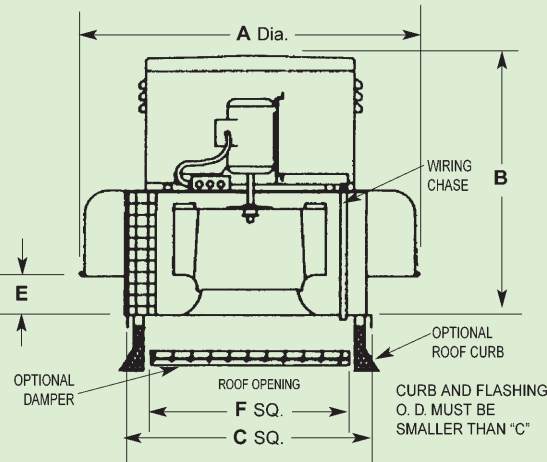
More sizes available. For additional sizes contact your local rep or distributor.

Unit Size	HP	RPM	MAX BHP	Sones @ .25"	CFM Delivery At RPM							
					0.0" SP	.250" SP	.500" SP	.750" SP	1.00" SP	1.25" SP	1.50" SP	
6	1/6	1850	0.16	8.3	716	635	541	425				
6	1/4	2150	0.26	11	832	764	688	602	502	341		
8	1/6	1700	0.18	9.4	955	839	700	532				
8	1/4	1950	0.26	12	1096	996	890	750	600			
10	1/6	1150	0.15	6.1	1162	974	739					
10	1/4	1400	0.26	8.9	1415	1265	1098	891	353			
12	1/4	1350	0.24	14.2	1660	1481	1275	998				
12	1/3	1500	0.33	16.7	1844	1684	1514	1298	975			
15	1/4	950	0.24	8.1	2209	1885	1450					
15	1/2	1200	0.49	12.6	2790	2548	2257	1912	1431			
18	3/4	1050	0.73	16.7	3968	3677	3359	2988	2530	1762		
18	1	1200	1.09	20	4535	4281	4015	3727	3385	2987	2451	

# DOWNBLAST ROOF EXHAUSTERS - DIRECT DRIVE

## STANDARD FEATURES

- Spun and shaped aluminum housing, mill finish standard.
- Integral motor overload protection on all standard single phase motors.
- Disconnect switch on all motors except explosion proof.
- Ventilated motor compartment with motor out of airstream.
- Non-overloading, backwardly inclined wheel.
- Isolated, suspended motor wheel-drive assembly.
- Heavy gauge welded galvanized 1/2" x 1/2" birdscreen.
- Spark resistant construction.
- 2-speed motors include 2 separate disconnect switches.
- ECM motor available. Contact factory.



## Model VEDK

Vent Express

ECM Available



DIMENSIONS LISTED IN INCHES									
Unit Size	Unit Dia. A	Unit Height B		Inside Curb Cap C	E	Roof Opening Square F	Curb O. D. Square	Damper Size Square	Wt. Less Motor [Lbs]
		Standard Height	Extended Height						
06	25-3/4	13-3/8	21-7/8	15-1/2	2-7/8	11	14	10	30
08	25-3/4	14-3/4	23-1/4	15-1/2	4-1/4	11	14	10	30
10	27-3/4	20-3/8	23-7/8	17-5/8	3-1/2	13	16	12	35
12	27-3/4	22	25-1/2	17-5/8	5-1/8	13	16	12	35
15	32-3/4	28-1/2	33-1/4	20-1/2	6-1/2	16	19	15	50
18	37-3/4	29-5/8	34-3/8	25	7-3/4	20-1/2	23-1/2	19	65

More sizes available. For additional sizes contact your local rep or distributor.

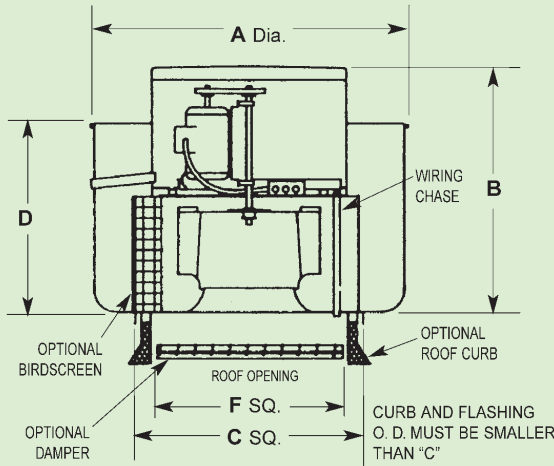
Unit Size	HP	RPM	MAX BHP	Sones @ .25"	CFM Delivery At RPM							
					0.0" SP	.250" SP	.500" SP	.750" SP	1.00" SP	1.25" SP	1.50" SP	
6	1/20	1000	0.03	3.7	386	194						
6	1/8	1500	0.09	6.6	580	477	339					
8	1/20	1000	0.04	4.2	561	327						
8	1/8	1550	0.13	9.5	870	743	579	276				
10	1/8	1050	0.11	7.4	1061	853	528					
10	1/3	1500	0.32	10.2	1516	1376	1225	1051	783			
12	1/8	1050	0.11	8	1291	1055	657					
12	1/3	1500	0.33	16.7	1844	1684	1514	1298	975			
15	1/6	800	0.14	6.7	1861	1448						
15	1/3	1025	0.31	10.8	2385	2093	1714	1136				
18	1/3	800	0.35	10.4	3150	2737	2176	1011				
18	3/4	1025	0.75	15.5	4035	3720	3387	2934	2324	1125		

# UPBLAST ROOF EXHAUSTERS - BELT DRIVE

## Model VUBK



Vent Express



### STANDARD FEATURES

- Spun and shaped aluminum housing.
- Integral drain opening.
- Integral motor overload protection on all standard single phase motors.
- Disconnect switch on all motors except explosion proof.
- Adjustable motor sheave factory preset to requested RPM.
- Dual drive belts furnished on 5 HP and above.
- Ventilated motor compartment with motor out of airstream.
- Non-overloading, backwardly inclined wheel.
- Isolated, suspended motor wheel-drive assembly.
- Spark resistant construction through size 24.
- Polished CRS fan shaft with rust inhibitive coating.
- Pillow block bearing L<sub>50</sub> = 200,000 hours.

DIMENSIONS LISTED IN INCHES									
Unit Size	Unit Dia. A	Unit Height B		Inside Curb Cap C	Outer Shroud Ht. D	Roof Opening Square F	Curb O. D. Square	Damper Size Square	Wt. Less. Motor [Lbs]
		Standard Height	Extended Height						
06	25-5/8	21-1/4	26	15-1/2	11-7/8	11	14	10	40
08	25-3/4	22-5/8	26-3/4	15-1/2	12-3/4	11	14	10	40
10	27-5/8	23-1/4	28	17-5/8	15	13	16	12	45
12	27-3/4	24-7/8	29-5/8	17-5/8	16-5/8	13	16	12	45
15	32-3/4	27-7/8	32-5/8	20-1/2	20-1/4	16	19	15	65
18	38-3/4	29-1/8	33	25	23-7/8	20-1/2	23-1/2	19	65

More sizes available. For additional sizes contact your local rep or distributor.

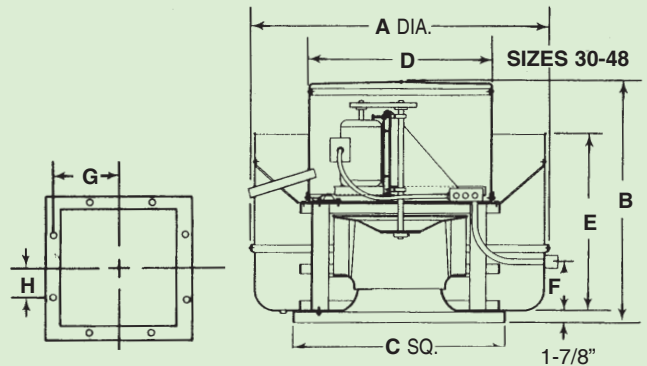
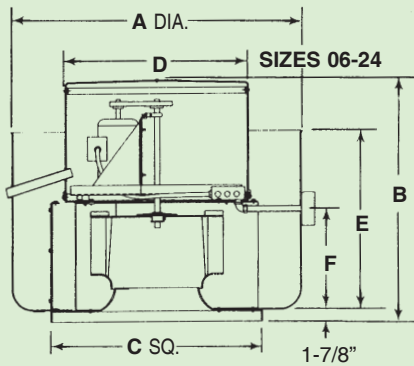
Unit Size	HP	RPM	MAX BHP	Sones @ .25"	CFM Delivery At RPM							
					0.0" SP	.250" SP	.500" SP	.750" SP	1.00" SP	1.25" SP	1.50" SP	
6	1/6	1950	0.17	9.4	732	654	571	466	308			
6	1/4	2250	0.26	12.2	845	777	708	631	537			
8	1/6	1750	0.18	10.6	967	858	732	574				
8	1/4	1950	0.24	13.2	1078	981	878	748	589			
10	1/6	1150	0.12	6.3	1090	897	645					
10	1/4	1500	0.27	10.1	1421	1279	1124	933	662			
12	1/4	1350	0.23	11.6	1620	1435	1234	952				
12	1/3	1550	0.35	15.5	1860	1698	1539	1340	1075			
15	1/2	1200	0.53	17.9	2648	2436	2196	1923	1593			
15	3/4	1400	0.84	23	3089	2908	2718	2503	2263	1989	1575	
18	3/4	1050	0.76	15	3904	3613	3275	2899	2412	1640		
18	1	1175	1.07	18.7	4369	4108	3822	3513	3158	2703	2055	

# UPBLAST RESTAURANT EXHAUSTERS - BELT DRIVE

## Model VRBK



Vent Express



### STANDARD FEATURES

- UL 762 label.
- Disconnect switch with NEMA 3R raintight external wiring connection.
- Insulation is provided in the ventilated motor compartment with the motor out of the airstream.
- VRBK 06-24 can be wall mounted.
- Adjustable pitch V-belt drives.
- Two belts furnished on 5 HP and above.
- Spun and shaped aluminum housing.
- Integral drain opening.
- Integral motor overload protection on all standard single phase motors.
- Non-overloading, backwardly inclined wheel.
- Isolated suspended motor wheel-drive assembly.
- Spark resistant construction thru size 24.
- Polished CRS fan shaft with rust inhibitive coating.

Unit Size	HP	RPM	MAX BHP	Sones @ .25"	CFM Delivery at RPM							
					0.0" SP	.250" SP	.500" SP	.750" SP	1.00" SP	1.25" SP	1.50" SP	
6	1/6	1950	0.17	9.4	732	654	571	466	308			
6	1/4	2250	0.26	12.2	845	777	708	631	537	413		
8	1/6	1750	0.18	10.6	967	858	732	574				
8	1/4	1950	0.24	13.2	1078	981	878	748	589			
10	1/4	1500	0.27	10.1	1421	1297	1124	933	662			
10	1/3	1650	0.36	12.2	1563	1435	1296	1144	954	667		
12	1/2	1800	0.55	19.3	2160	2020	1883	1746	1564	1347	1025	
12	3/4	2050	0.81	24	2460	2337	2216	2095	1971	1812	1629	
15	3/4	1400	0.84	23	3089	2908	2718	2503	2263	1989	1575	
15	1	1550	1.13	28	3420	3257	3091	2903	2702	2485	2236	
18	1	1175	1.07	18.7	4369	4108	3822	3513	3158	2703	2055	
18	1-1/2	1350	1.61	24	5019	4792	4564	4294	4024	3714	3359	

Size	DIMENSIONS LISTED IN INCHES							MOUNTING FRAME				Wall Opening Sq.		
	A	B Standard	B Extended	C	D	E	F	Roof Opening	Curb O.D. Sq.	Wt. Less Motor [Lbs]	O. D. Sq.		G	H
06	25-5/8	23	27-3/4	15-1/2	20	14-3/8	6-1/2	11	14	40	15-3/8	6-15/16	4-11/16	12
08	25-3/4	24-3/8	28-1/8	15-1/2	20	14-3/8	7-7/8	11	14	40	15-3/8	6-15/16	4-11/16	12
10	27-5/8	25	29-3/4	17-5/8	20	16-5/8	8-1/2	13	16	45	17-1/2	8	5-3/4	14
12	27-3/4	26-5/8	31-3/8	17-5/8	20	16-5/8	10-1/8	13	16	45	17-1/2	8	5-3/4	14
15	32-3/4	29-5/8	34-3/8	20-1/2	24	20-1/4	13	16	19	65	20-3/8	9-7/16	7-3/16	17
18	38-3/4	30-3/4	35-1/2	25	26-1/2	23-7/8	14-1/8	20-1/2	23-1/2	85	24-7/8	11-11/16	7-7/16	22

More sizes available. For additional sizes contact your local rep or distributor.

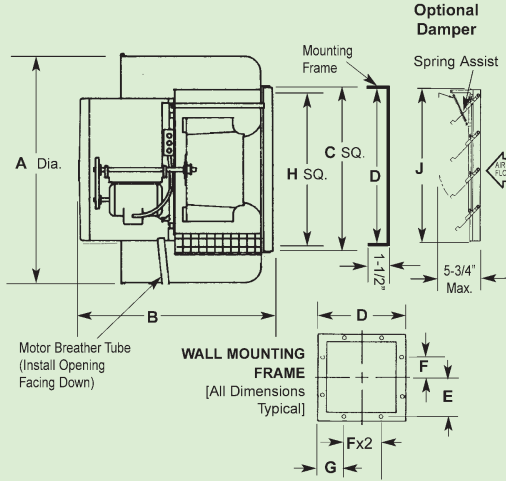


# WALL MOUNTED EXHAUSTERS - BELT DRIVE

## Model VWBK

### STANDARD FEATURES

- Spun and shaped aluminum housing, mill finish standard.
- Integral motor overload protection on all single phase motors.
- Disconnect switch on all motors except explosion proof.
- Ventilated motor compartment with motor out of airstream.
- Non-overloading, backwardly inclined wheel.
- Isolated motor wheel-drive assembly.
- Spark resistant construction.
- Heavy gauge welded galvanized 1/2" x 1/2" birdscreen.
- Adjustable motor sheave factory preset to requested RPM.
- Wall mounting frame for simplified installation.
- Pillow block bearing L<sub>50</sub> = 200,000 hours.



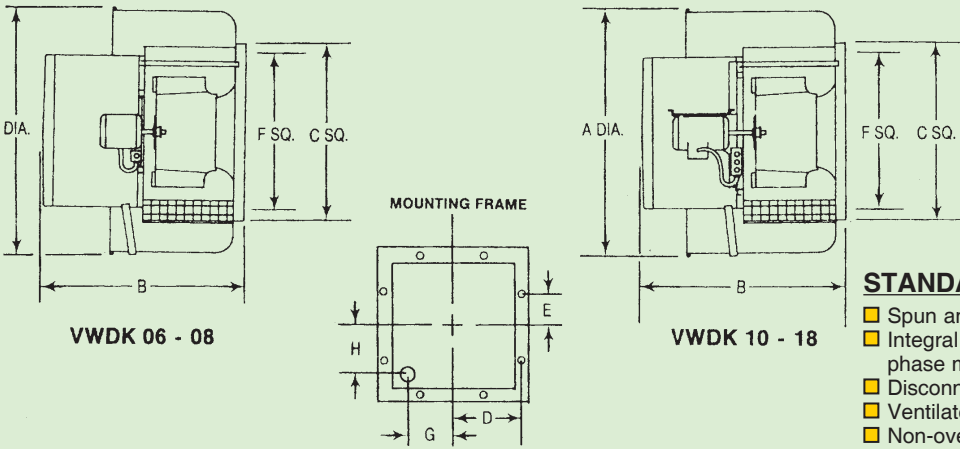
Unit Size	Unit Dia. A	Unit Depth B		Mounting Cap C	Mounting Frame 1-1/2 x 1-1/2 x 1-1/2 Angle				Wall Opening Sq. H	Damper Size J	Wt. Less Motor [Lbs]
		Standard B	Extended B		OD D	E	F	G			
		06	25-5/8		23-1/4	28	15-1/2	15-3/8			
08	25-3/4	24-5/8	29-3/8	15-1/2	15-3/8	6-15/16	4-11/16	3	12	12	45
10	27-5/8	25-1/4	30	17-5/8	17-1/2	8	5-3/4	3	14	14	50
12	27-3/4	26-7/8	31-5/8	17-5/8	17-1/2	8	5-3/4	3	14	14	50
15	32-3/4	29-7/8	34-5/8	20-1/2	20-3/8	9-7/16	7-3/16	3	17	17	75
18	38-3/4	31-1/8	35-7/8	25	24-7/8	11-11/16	7-7/16	5	22	22	85

More sizes available. For additional sizes contact your local rep or distributor.

Unit Size	HP	RPM	MAX BHP	Sones @ .25"	CFM Delivery At RPM						
					0.0" SP	.250" SP	.500" SP	.750" SP	1.00" SP	1.25" SP	1.50" SP
6	1/6	1950	0.17	9.4	732	654	571	466	308		
6	1/4	2250	0.26	12.2	845	777	708	631	537	413	
8	1/6	1750	0.18	10.6	967	858	732	574			
8	1/4	1950	0.24	13.2	1078	981	878	748	589		
10	1/4	1500	0.26	10.1	1421	1279	1124	933	662		
10	1/3	1650	0.36	12.2	1563	1435	1296	1144	954	667	
12	1/2	1800	0.55	19.3	2160	2020	1883	1746	1564	1347	1025
12	3/4	2050	0.81	24	2460	2337	2216	2095	1971	1812	1629
15	3/4	1400	0.84	23	3089	2908	2718	2503	2263	1989	1575
15	1	1550	1.13	28	3420	3257	3091	2903	2702	2485	2236
18	1	1175	1.07	18.7	4369	4108	3822	3513	3158	2703	2055
18	1-1/2	1350	1.61	24	5019	4792	4564	4294	4024	3714	3359

# WALL MOUNTED EXHAUSTERS - DIRECT

## Model VWDK



### STANDARD FEATURES

- Spun and shaped aluminum housing.
- Integral motor overload protection on all standard single phase motors.
- Disconnect switch on all motors except explosion proof.
- Ventilated motor compartment with motor out of airstream.
- Non-overloading, backwardly inclined wheel.
- Isolated motor wheel-drive assembly.
- Spark resistant construction.
- Mounting frame.
- ECM motor available. Contact factory.

Unit Size	HP	RPM	MAX BHP	Sones @ .25"	0.0" SP	CFM Delivery At RPM				
						.250" SP	.500" SP	.750" SP	1.00" SP	1.25" SP
6	1/20	1000	0.02	3.4	376	179				
6	1/8	1500	0.08	5.9	563	461	320			
8	1/20	1000	0.03	3.5	552	321				
8	1/8	1550	0.12	8.6	856	732	576	280		
10	1/8	1050	0.09	5.4	994	782	439			
10	1/3	1500	0.27	10.3	1419	1279	1124	933	662	
12	1/3	1500	0.32	14.4	1800	1633	1469	1248	935	
12	1/2	1575	0.37	16	1892	1731	1574	1382	1135	525
15	1/6	800	0.15	8.7	1765	1422	854			
15	1/3	1025	0.33	13.4	2262	2011	1704	1307		
18	1/3	800	0.35	8.8	3022	2528	1898	843		
18	3/4	1025	0.73	14.3	3871	3502	3076	2584	1945	979

Unit Size	Unit Dia. A	Unit Depth B		Wall Mounting Cap C	Mounting Frame 1-1/2 x 1-1/2 Angle			Wall Opening Sq. F	Damper Size	Conduit Location		Wt. Less Motor [Lbs]
		Std. B	Ext. B		OD Sq.	D	E			G	H	
		06	25-5/8		23-1/4	23-1/4	15-1/2			15-3/8	6-15/16	
08	25-3/4	24-5/8	24-5/8	15-1/2	15-3/8	6-15/16	4-11/16	12	12	3-3/4	5	45
10	27-5/8	25-1/4	25-1/4	17-5/8	17-1/2	8	5-3/4	14	14	5-3/8	5-3/8	50
12	27-3/4	26-7/8	26-7/8	17-5/8	17-1/2	8	5-3/4	14	14	5-3/8	5-3/8	50
15	32-3/4	29-7/8	34-5/8	20-1/2	20-3/8	9-7/16	7-3/16	17	17	6-7/8	5-7/8	75
18	38-3/4	31-1/8	35-7/8	25	24-7/8	11-11/16	7-7/16	22	22	9-5/16	7-11/16	95

More sizes available. For additional sizes contact your local rep or distributor.

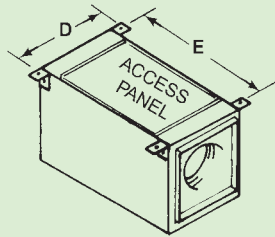
# INLINE DUCT FANS - BELT DRIVE

## Model VIBK

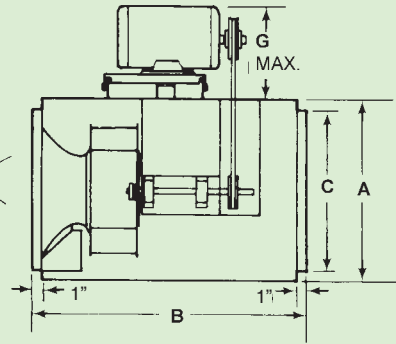
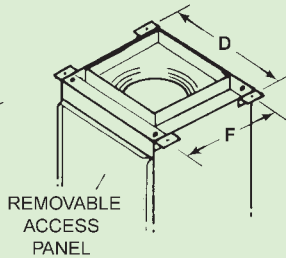
Vent Express



HORIZONTAL INSTALLATION



VERTICAL INSTALLATION



### STANDARD FEATURES

- Non-overloading, backwardly inclined wheel.
- Integral motor overload protection on all standard single phase motors.
- Spark resistant wheel thru size 24.
- Safety disconnect standard for all motors except explosion proof.
- Housing corrosion resistant heavy gauge steel.

### DIMENSIONS LISTED IN INCHES

Unit Size	A	B	C	D	E	F	G	Wt. Less Motor [Lbs]	Damper Size
06	14	28-5/8	12	16-1/2	25-1/8	12-1/2	12	65	12
08	14	28-5/8	12	16-1/2	25-1/8	12-1/2	12	65	12
10	18	32-1/8	16	20-1/2	28-5/8	16-1/2	12	80	16
12	18	32-1/8	16	20-1/2	28-5/8	16-1/2	12	80	16
15	24	34-7/8	22	26-1/2	31-3/8	22-1/2	12	95	22
18	28	36-1/8	26	30-1/2	32-5/8	26-1/2	12	145	26

More sizes available. For additional sizes contact your local rep or distributor.

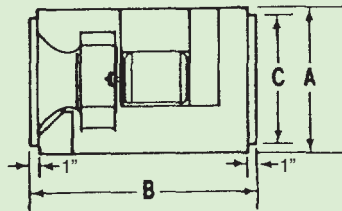
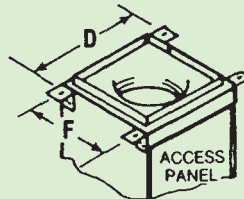
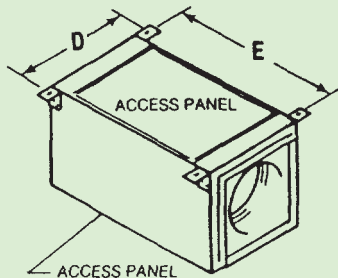
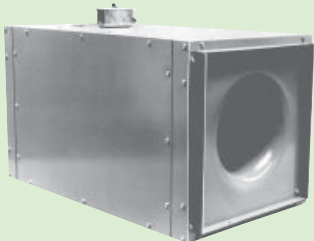
Unit Size	HP	RPM	MAX BHP	Sones @ .25"	CFM Delivery At RPM						
					0.0" SP	.250" SP	.500" SP	.750" SP	1.00" SP	1.25" SP	1.50" SP
6	1/6	1800	0.17	9.1	633	530	407	226			
6	1/4	2100	0.28	12.1	739	654	555	442	285		
8	1/6	1700	0.17	9	830	690	535	281			
8	1/4	1950	0.26	11.3	952	829	701	549	298		
10	1/4	1400	0.26	9.3	1309	1120	932	667			
10	1/3	1550	0.35	11.4	1449	1279	1110	927	625		
12	1/4	1400	0.25	10.8	1618	1429	1207	877			
12	1/3	1500	0.33	12.2	1733	1562	1350	1112	621	525	
15	1/2	1250	0.54	12.9	2709	2484	2230	1924	1505		
15	3/4	1400	0.74	15.8	3034	2833	2615	2375	2078	1693	
18	1	1150	1.09	18.8	4272	3975	3666	3322	2916	2380	1292
18	1-1/2	1300	1.57	23	4829	4566	4297	4023	3701	3340	2917

# INLINE DUCT FANS - DIRECT DRIVE

## Model VIDK

Vent Express

ECM Available



### STANDARD FEATURES

- Non-overloading, backwardly inclined wheel.
- Integral motor overload protection on all standard single phase motors.
- Spark resistant wheel thru size 24.
- Safety disconnect standard for all motors except explosion proof.
- Housing corrosion resistant heavy gauge steel.
- ECM motor available. Contact factory.

### DIMENSIONS LISTED IN INCHES

Unit Size	A	B	C	D	E	F	G	Wt. Less Motor [Lbs]	Damper Size
06	14	28-5/8	12	16-1/2	25-1/8	12-1/2	12	60	12
08	14	28-5/8	12	16-1/2	25-1/8	12-1/2	12	60	12
10	18	32-1/8	16	20-1/2	28-5/8	16-1/2	12	75	16
12	18	32-1/8	16	20-1/2	28-5/8	16-1/2	12	75	16
15	24	34-7/8	22	26-1/2	31-3/8	22-1/2	12	90	22
18	28	36-1/8	26	30-1/2	32-5/8	26-1/2	12	145	26

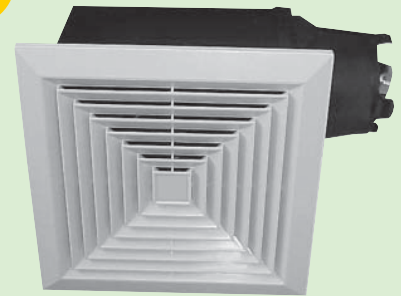
More sizes available. For additional sizes contact your local rep or distributor.

Unit Size	HP	RPM	MAX BHP	Sones @ .25"	CFM Delivery At RPM						
					0.0" SP	.250" SP	.500" SP	.750" SP	1.00" SP	1.25" SP	1.50" SP
6	1/20	1075	0.03	3.6	407	190					
6	1/8	1500	0.09	6.5	568	437	249				
8	1/20	1075	0.04	3.8	525	271					
8	1/8	1550	0.13	7.7	756	601	410				
10	1/8	1050	0.11	5	982	732	247				
10	1/3	1500	0.32	10.7	1403	1226	1053	845	450		
12	1/3	1500	0.33	12.2	1733	1562	1350	1112	621		
12	1/2	1575	0.38	13.5	1820	1663	1459	1240	902		
15	1/6	800	0.14	5.3	1734	1347					
15	1/3	1025	0.30	8.9	2221	1937	1585	978			
18	1/3	800	0.40	9.3	2954	2486	1789				
18	3/4	1025	0.83	15.4	3785	3440	3025	2475	1694		

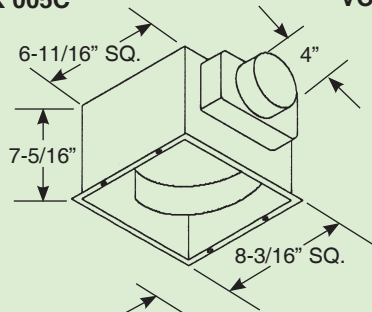
# BATHROOM EXHAUST FANS

## Model VCDK

48 Hour

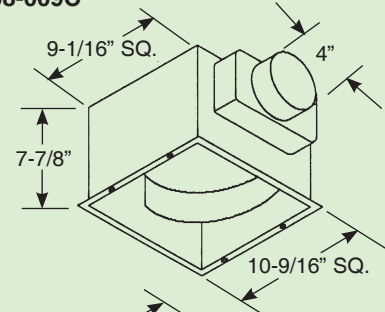


VCDK 005C



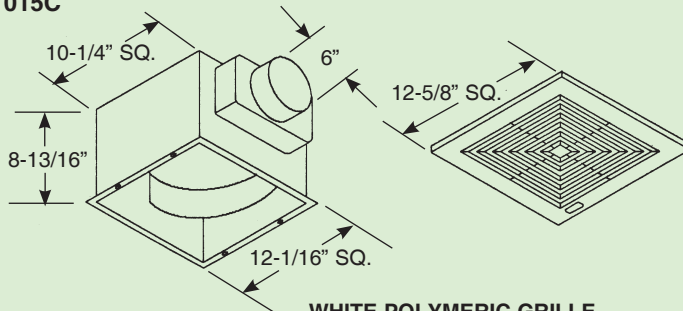
WHITE POLYMERIC GRILLE

VCDK 008-009C



WHITE POLYMERIC GRILLE

VCDK 015C



WHITE POLYMERIC GRILLE

### STANDARD FEATURES

- Super quiet operation.
- High performance blowers.
- Discharge damper.
- Simplified installation.
- Designer styled grilles.
- UL listed.
- AMCA air and sound licensed.
- Energy Star 005-015C

VCDK

Unit Size	CFM @ 0.0" SP	Sones @ 0.25" SP	Nominal RPM	Volts	Watts	Amps
5	72	2.1	1300	120	27	0.23
8	84	2.6	1500	120	35	0.29
9	115	2.3	1330	120	47	0.38
15	187	3.8	1250	120	45	0.38

More sizes available. For additional sizes contact your local rep or distributor.

## Model VCDD

48 Hour

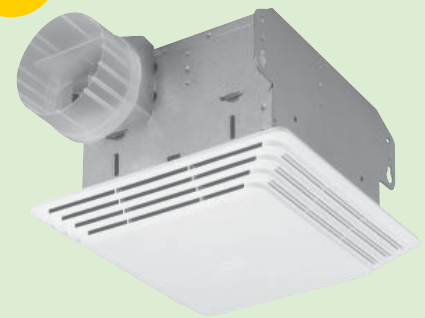
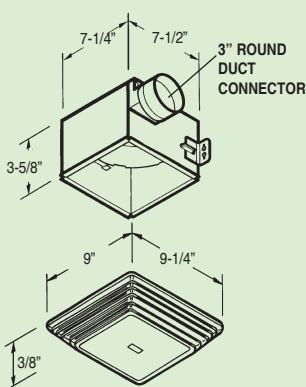


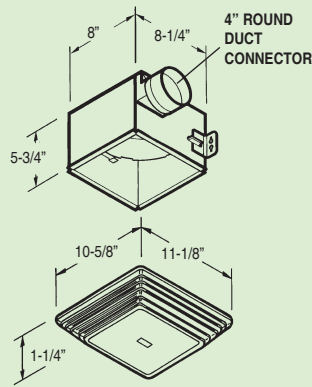
Image is indicative of product family. Actual product may vary.

VCDD 005C



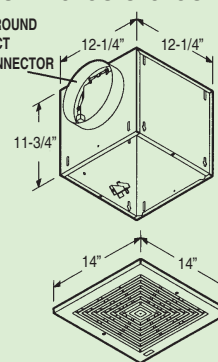
MATTE WHITE POLYMER GRILLE

VCDD 008C



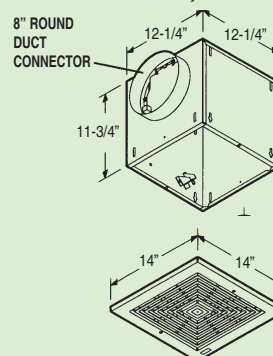
MATTE WHITE POLYMER GRILLE

VCDD 010C & 015C



MATTE WHITE POLYMER GRILLE

VCDD 020C, 025C & 030C



MATTE WHITE POLYMER GRILLE

VCDD

Unit Size	CFM @ 0.0" SP	Sones @ 0.25" SP	Nominal RPM	Volts	Watts	Amps
5	72	2.1	1300	120	27	0.23
8	89	3.8	1280	120	48	0.5
10	136	1.3	640	120	77	1.1
15	181	2.2	710	120	102	1.4
20	231	2.3	740	120	131	1.8
25	272	2.9	830	120	169	2.2
30	312	3.3	905	120	207	2.7

More sizes available. For additional sizes contact your local rep or distributor.

### STANDARD CONSTRUCTION

- Super quiet operation.
- High performance blowers.
- Removable access panel.
- Inlet/outlet duct connections.
- Discharge damper.
- Simplified installation.
- Designer styled grilles.
- AMCA air and sound licensed.
- UL listed.

# BATHROOM FAN ACCESSORIES

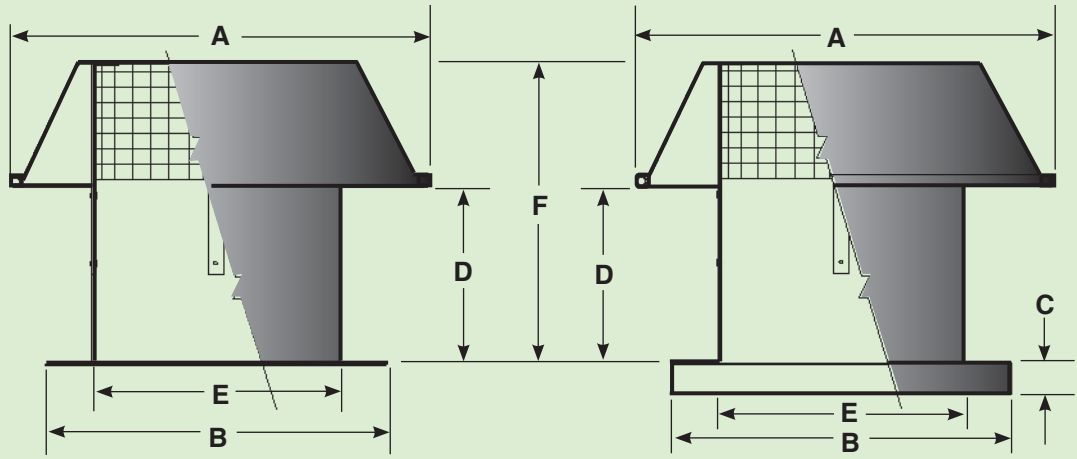
## Model VXCA

48 Hour



VXCAF (Flashing Base)

VXCAC (Curb Mount Type)



### STANDARD CONSTRUCTION FEATURES

- COVER — Seamless spun aluminum construction, beaded for rigidity.
- THROAT — All aluminum construction with overlapping, weathertight construction.
- FLASHING BASE — (VXCAF models) All aluminum, single piece construction is flanged into the throat for weather resistance.
- CURB MOUNT BASE — (VXCAC models) All aluminum, single piece construction with pre-punched mounting holes.
- BIRDSCREEN — Integral aluminum birdscreen 1/2x1/2.
- FASTENERS — Corrosion resistant fasteners are fitted with water resistant washers.

### SUGGESTED SELECTION AND INSTALLATION PRECAUTIONS

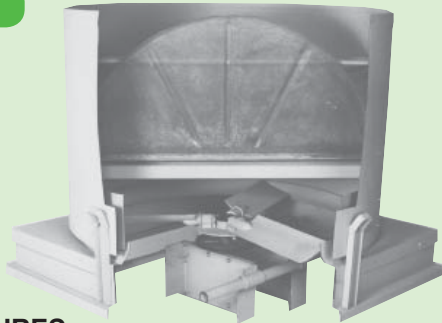
(to reduce the likelihood of damage due to moisture entering the building):

- For intake applications, limit intake (throat) velocity to approx. 500 feet/minute.
- Installation on an extended height roof curb (12" minimum).
- Avoid installation in locations that are subject to high winds or blowing rain, snow, dust or debris.
- Installation of drain pans beneath the roof openings or ductwork drains.

DIMENSIONS LISTED IN INCHES							
Roof Cap Size	A Dia.	B Sq.	C	D	E Dia.	F	Curb Size
VXCAF 08	11-7/8	15	—	6-3/4	7-5/8	9-7/8	—
VXCAC 08	11-7/8	15-1/2	1-7/8	6-3/4	7-5/8	9-7/8	0140x0140
VXCAF 12	20-3/4	20	—	8	12	14-1/2	—
VXCAC 12	20-3/4	17-3/4	1-7/8	8	12	14-1/2	0160x0160
VXCAF 16	26-1/4	24	—	8-1/2	16	17-1/4	—
VXCAC 16	26-1/4	22	1-7/8	8-1/2	16	17-1/4	0204x0204
VXCAF 20	31-1/2	28	—	11	20	20	—
VXCAC 20	31-1/2	26	1-7/8	11	20	20	0244x0244

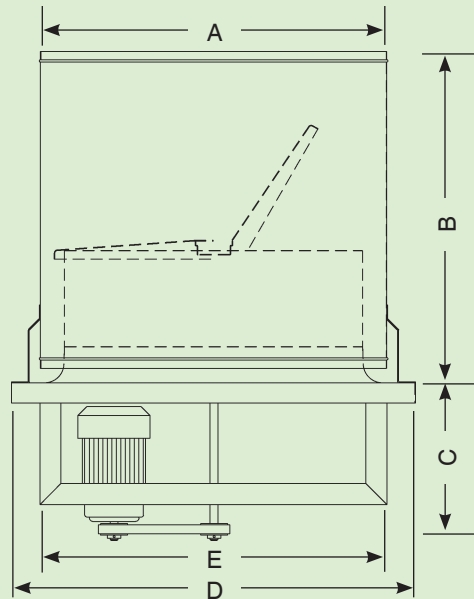
# UPBLAST PROPELLER FANS

## Model LUBK



### STANDARD FEATURES

- Heavy gauge galvanized steel panel on all sizes.
- All welded support structure of 10 gauge angle.
- Motor/bearing plates of minimum 10 gauge galvanized steel.
- Heavy gauge galvanized steel windband.
- Galvanized rain channel drains water from damper area onto roof.
- Three and four cast/airfoil aluminum blades.
- Single belt adjustable pitch sheaves through 5 HP.
- Two belt adjustable pitch sheaves through 10 HP.
- Keyed, turned, ground, and polished shafts.
- Bearings designed for minimum 200,000 hour life.



### DIMENSION:

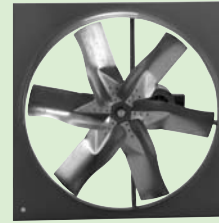
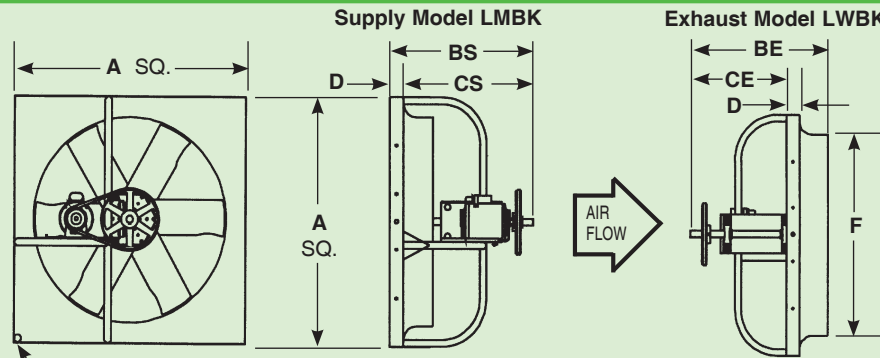
- A — Outside diameter of wind band.
- B — Height of unit above curb cap.
- C — Maximum depth of unit below top of curb, actual depth varies with motor size.
- D — Inside dimension of square curb cap.
- E — Minimum inside dimension of curb opening required for adequate clearance of fan frame.
- F — Outside dimension of factory built pre-fab curb.
- G — Recommended roof opening (inside dimension of factory built pre-fab curb).

Unit Size	HP	RPM	MAX BHP	Sones @ .125"	CFM Delivery At RPM								
					0.0" SP	.125" SP	.250" SP	.375" SP	.500" SP	.750" SP	1.00" SP		
24	1/4	925	0.20	14.5	3993	3041	1670						
24	1/3	1100	0.33	18.7	4748	3994	2958	1861	1233				
30	3/4	1025	0.94	22	9386	8186	6767	4565	3700				
30	1	1140	1.28	26	10439	9379	8170	6523	4853	3157			
36	1	800	1.32	24	13807	12035	9941	6309	4639				
36	2	1000	2.54	34	17259	15882	14361	12650	10319	6178			
42	2	770	2.85	31	21182	19156	17021	14557	9756	5254			
42	5	1000	6.20	49	27508	25949	24368	22720	20944	16650	10636		
48	5	790	4.90	52	31669	29522	27145	24426	21076	14253			
48	7-1/2	920	7.71	74	36880	35037	33185	30977	28621	22143	16810		

Model LUBK	DIMENSIONS IN INCHES							Avg. Wt.
	A	B	C	D	E	F	G	
24	29	28-1/2	16	36	30	34	31	145
30	35-1/2	31-1/2	16	42	36	40	37	170
36	41	34-1/2	16	48	42	46	43	200
42	47	37-1/2	20	54	48	52	49	225
48	53	40-1/2	20	60	54	58	55	270



# WALL MOUNTED PROP FANS - BELT DRIVE



**Models LMBK/LWBK**

**Vent Express**

Wiring Knockout 0.875" Dia.

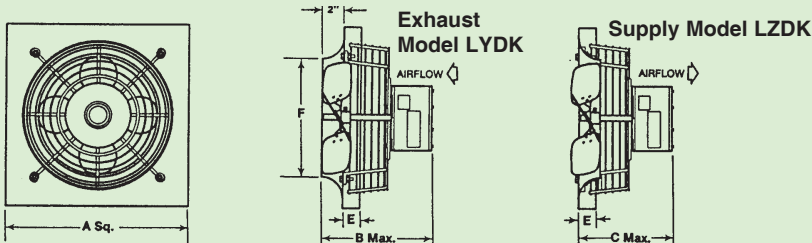
DIMENSIONS LISTED IN INCHES AND LBS.											
Fan Size	A Sq.	BE	BS	CE	CS	D	Weight Less Motor	Shaft Dia. (Inches)	Drive Frame Sch. 40	Max. Motor Frame	Wt. Less Motor [Lbs]
20	26	23-5/8	20	18	17-7/8	2-1/8	30	0.75	1" Dia.	145T	30
24	30	23-5/8	20	18	17-7/8	2-1/8	36	0.75	1" Dia.	145T	36
30	36	27-5/8	23	21	20-7/8	2-1/8	60	1.00	1" Dia.	145T	60
36	42	29-5/8	25	23	22-7/8	2-1/8	75	1.00	1" Dia.	215T	75
42	48	29-7/8	25	23	22-7/8	2-1/8	96	1.00	1" Dia.	215T	96
48	54	29-7/8	25	23	22-7/8	2-1/8	116	1.00	1" Dia.	215T	116

Unit Size	HP	RPM	MAX BHP	Sones @ .125"	CFM Delivery At RPM Listed			
					0.0" SP	.250" SP	.500" SP	.750" SP
20	1/4	860	0.32	9.2	3546	1683		
20	1/2	1095	0.67	13.7	4515	3159	1572	
24	1/2	825	0.61	14	5704	4158	1564	
24	3/4	915	0.83	16.7	6326	5185	2699	
30	3/4	705	0.94	16.6	9597	7264	3079	
30	1-1/2	880	1.82	24	11980	10362	6992	
36	1	575	1.3	17.5	13102	9712	4049	
36	1-1/2	675	2.14	22	15381	12678	7318	
42	1-1/2	490	1.84	19.8	17686	13300	5503	
42	3	615	3.64	29	22197	19117	14457	8106
48	3	515	4.11	28	27632	23000	13632	5000
48	5	610	6.22	37	32729	28959	24275	12836

## STANDARD SPECIFICATION AND CONSTRUCTION

- Propeller:** Die formed galvanized steel blades (alum. optional) with steel hub keyed to the fan shaft. Statically and dynamically balanced.
- Panel:** Single piece galvanized steel fan panel/venturi with welded corners, pre-punched mounting holes, and electrical wiring knockout.
- Drive Frame:** All welded schedule 40 steel pipe frame.
- Finish:** Galvanized standard.
- Fan Shaft:** Precision turned, ground and polished steel with corrosion inhibiting coating - keyed to the propeller hub and the drive pulley.
- Bearings:** Cast iron self aligning pillow block ball bearings with lube fittings. Minimum average life 200,000 hours (L50 = 200K).
- Motor Plate:** Single piece motor and bearing mount is welded to the drive frame. Motor adjustment slots for proper belt tension maintenance.
- Drives:** Cast iron construction sized for min. 150% of installed motor HP. Keyed to fan shaft and motor shaft. Motor sheave is adjustable.
- Belts:** Oil resistant and static free are sized for minimum 25,000 hours average life.
- AMCA Licensed:** Certified Ratings Seal for both sound and air performance.
- Factory Run Test:** For quality assurance and reliability. Factory pre-set fan RPM.

# WALL MOUNTED PROP FANS - DIRECT DRIVE



**Models LYDK/LZDK**

**Vent Express**

**ECM Available**



## STANDARD SPECIFICATIONS AND CONSTRUCTION

- Direct drive with integral motorside guard - meets OSHA requirements.
- One piece fan panel/venturi with prepunched mounting holes.
- Panel material - galvanized steel.
- OSHA motorside guard - welded steel wire, finish to match panel.
- Motors - 115/1/60 ODP speed controllable - permanent split capacitor.
- Neoprene vibration mounts between motor mounts and fan panel.
- Propeller statically and dynamically balanced.
- Aluminum 3 or 4 blade propeller with steel hub and set screws.
- Motors factory wired to conduit/wiring box.
- Panel flanges turned to the motorside (both exhaust & supply) for easy mounting.
- Conduit knockout in fan panel for field wiring motorized damper.
- Factory run-test for dependable operation.
- ECM motor available. Contact factory.

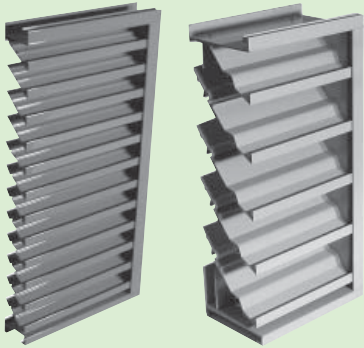
DIMENSIONS LISTED IN INCHES						
Fan Size	A SQ.	B	C	E	F	Wt. Less Motor [Lbs]
9-10	16	11	10	1-1/2	10-1/4	20
11-12	16	11	10	1-1/2	12-1/4	20
13	20	12	11	1-1/2	14-1/4	25
15-16	20	13	12	1-1/2	16-1/4	30
17-18	24	13	12	1-1/2	18-1/4	35
19-21	24	13	12	1-1/2	20-1/4	40

Unit Size	HP	RPM	MAX BHP	Sones @ .125"	CFM Delivery At RPM Listed			
					0.0" SP	.250" SP	.500" SP	.750" SP
9	1/12	1000	0.01	4.2	468			
10	1/6	1500	0.04	6	704	264		
11	1/12	1000	0.04	5.7	847			
12	1/6	1500	0.11	7.2	1334	798		
13	1/6	1000	0.09	9.3	1443	553		
15	1/6	1000	0.16	9	2293	1014		
16	3/4	1500	0.48	15	3260	2689	1357	
17	1/4	1000	0.20	8.9	2771	1507		
18	3/4	1500	0.74	17.3	4341	3722	2693	1271
19	1/4	1000	0.20	8.4	3032	1628		
20	3/4	1500	0.62	15	4547	4022	2690	1538
21	1/2	1000	0.36	11.5	4033	2636		

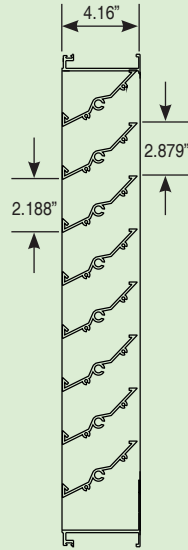
# STATIONARY AND ADJUSTABLE LOUVERS

LQS6

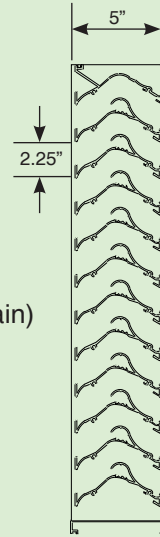
LQS10



Model FPBB  
(Drainable Blade)



Model FRWB  
(Wind Driven Rain)



## COMPLETE LOUVER LINE

- Standard (flat blade, J blade).
- Drainable blade.
- Combination louver/dampers.
- Sight proof (Y blade, chevron blade).
- Thin line.
- Wind driven rain.
- Hurricane.

## OPTIONS

- Special shapes.
- Filter racks.
- Sill extensions.
- Blade and jamb seals.
- Manual operators.
- Motor operators.
- Variety of screens.
- Jackshifting.

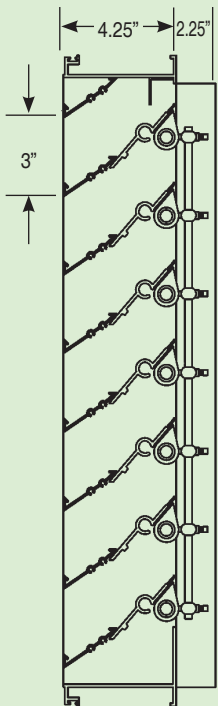
## FINISHES

- Prime Coat
- Kynar
- Baked enamel
- Anodize

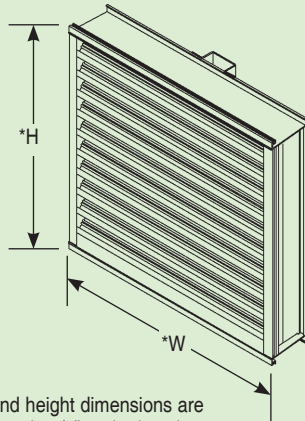
Louvered Penthouses are available with several of the ASX louver models.

# COMBINATION LOUVER/DAMPER

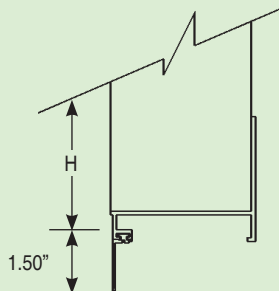
## Model FPJB



Section View



\*Width and height dimensions are approximately 1/4" under listed size.



Flanged Frame Optional

## STANDARD SPECIFICATIONS

**Frame:** .081 extruded aluminum, 4.25" deep

**Adjustable Blade:** .125 extruded aluminum

**Fixed Blade:** .081 extruded aluminum positioned on a 37° angle on approximately 3.0" centers

**Finish:** mill aluminum (standard)

**Screen:** 3/4" x .051" flattened aluminum in removable frame. Screen is mounted as standard on inside (rear) as looking from exterior of building.

**Maximum Panel Size:** 60"w x 120"h single section.

Factory assembled multi-section max: 96"w x 120"h. Larger sizes are field assembled.

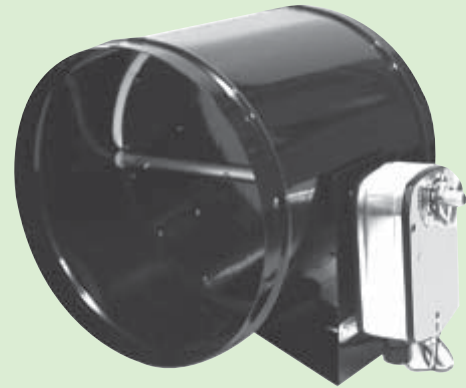
**Minimum Panel Size:** 12"w x 12"h

**Note:** Drainable blade louvers should be limited to 10' maximum section widths (no more than 10' between vertical downspouts) to enable the drainable design to function effectively.



LQS6

LQS10



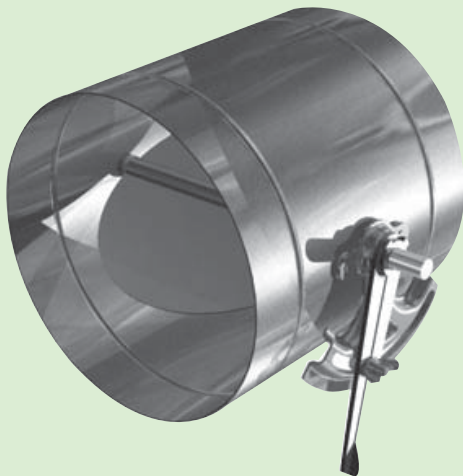
## STANDARD SPECIFICATIONS AND CONSTRUCTION

- 3V blade (FDCB, FDHB, FDNB, FDQB).
- Airfoild blade (FAAA, FABA, FACA, FADA).
- Round (FAHA).
- Aluminum or galvanized construction.
- Parallel or opposed blade.

## OPTIONS

- PVC blade seals.
- Stainless steel jamb seals.
- Manual or motor operators.
- Epoxy or heresite coating.
- Motors internally or externally mounted.
- Some models available with insulated blade.

# BALANCING DAMPERS



LQS6

LQS10



## STANDARD SPECIFICATIONS — Model FAFA (Round)

- Galvanized steel construction.
- 1/2" round solid aluminum shaft (through 30").
- 3/4" round solid steel shaft (32" through 40").
- Available in sizes 4" through 40".
- Heavy duty locking quadrant.

## STANDARD SPECIFICATIONS — Model FAEA (Square/Rectangular)

- Aluminum frame and blades (optional s.s. construction).
- Nylon 6/6 bearing.
- 1/2" cast zinc hand quadrant.
- Available in sizes up to 36"w x 12"h max.

## FIRE DAMPERS

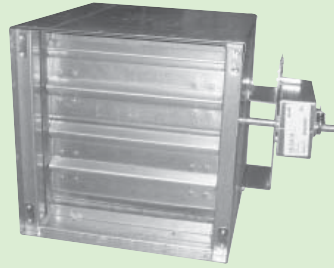
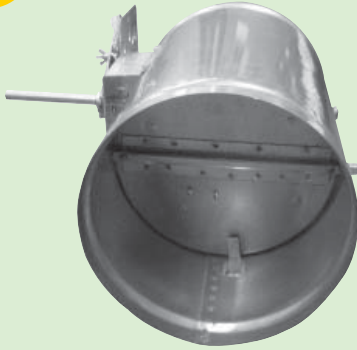
FDQ53

FDQ56

FDQ510

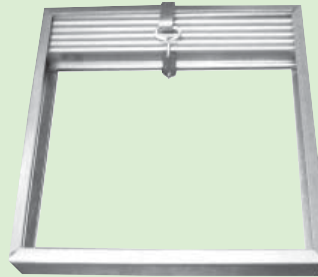
### **Type A Fire Dampers** (EA and EH Series)

- Curtain Blade
- Crimped (3V) Blade
- Airfoil Blade
- Slimline
- True Round
- Static or Dynamic



### **Type B Fire Dampers** (EB and EK Series)

- Curtain Blade
- Slimline
- Static or Dynamic



### **Type C Fire Dampers** (EC and EJ Series)

- Curtain Blade
- Static or Dynamic

- UL 555 Listing - 1-1/2 and 3 hours

- ULC S112 Listing - 1-1/2 and 3 hours

- All Fire Damper models meet or comply with all major building codes, including IBC/ICC International Code.



## FIRE/SMOKE DAMPERS

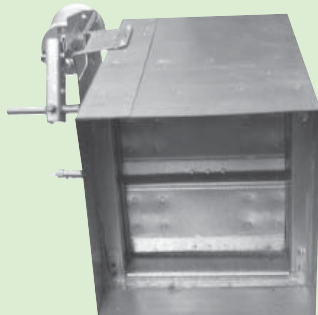
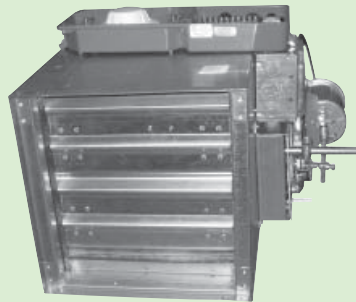
FDQ53

FDQ56

FDQ510

### **Combination Fire/Smoke Dampers - Class I Leakage** (EF Series)

- Crimped (3V) Blade
- Airfoil Blade
- True Round
- Front Access
- Out of Wall/Floor Mounting
- Corridor Dampers



### **Combination Fire/Smoke Dampers - Class II Leakage** (EG Series)

- Crimped (3V) Blade
- Airfoil Blade
- True Round
- Front Access
- Out of Wall/Floor Mounting
- Corridor Dampers

- UL 555 and ULC S112 Listing - 1-1/2 and 3 hours

- UL 555S and ULC S112.1 Listing - 1-1/2 and 3 hours

- Class I provides for a maximum leakage of 8 cfm per sq. ft. at 4.0 inches static pressure.

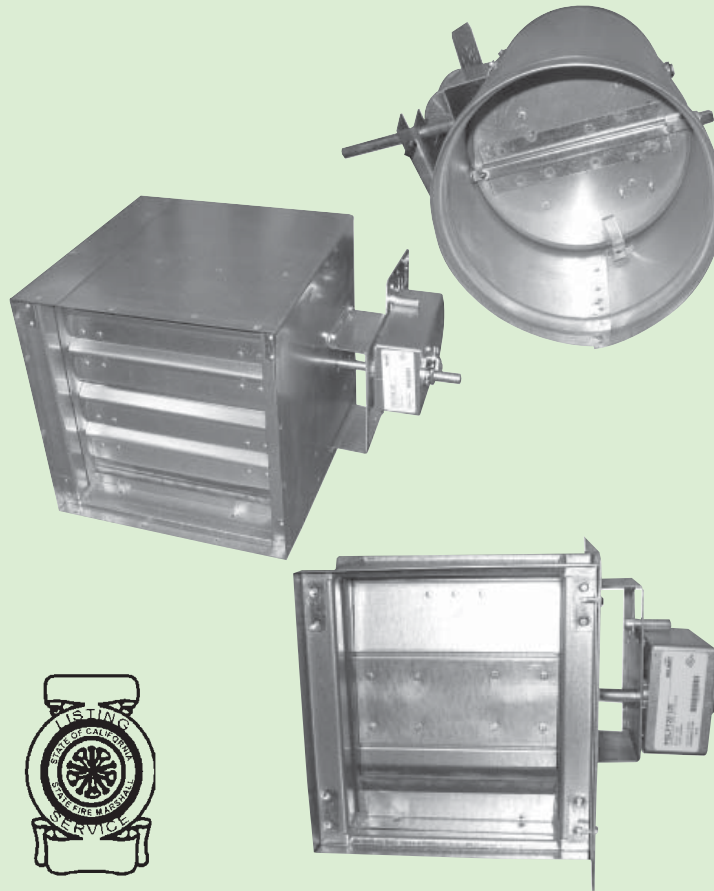
- Class II provides for a maximum leakage of 20 cfm per sq. ft. at 4.0 inches static pressure.





## SMOKE DAMPERS

- UL 555S Listed
- ULC S112.1 Listed
- ASX Smoke Dampers meet all the NFPA 90A, IBC Code and all other major code requirements for smoke dampers.
- Class I **ES** Series Smoke Dampers
- Class II **ET** Series Smoke Dampers



- Model ESWA**
- Crimped (3V) Blade
  - Class I Leakage

- Model ESYA**
- Airfoil Blade
  - Class I Leakage

- Model ESZA**
- True Round
  - Class I Leakage

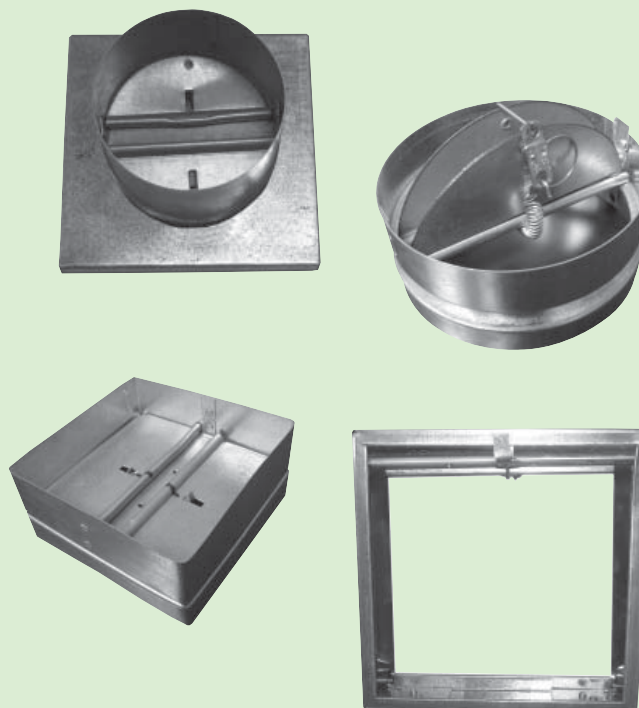
- Model ETWA**
- Crimped (3V) Blade
  - Class II Leakage

- Model ETYA**
- Airfoil Blade
  - Class II Leakage

- Model ETZA**
- True Round
  - Class II Leakage

## CEILING RADIATION DAMPERS

- UL 555C Listing - 1 to 4 hours
- ULC S112.2 Listing - 1 to 4 hours
- ASX Ceiling Radiation Dampers meet all the NFPA 90A, IBC Code, and all other major code requirements for ceiling radiation dampers.

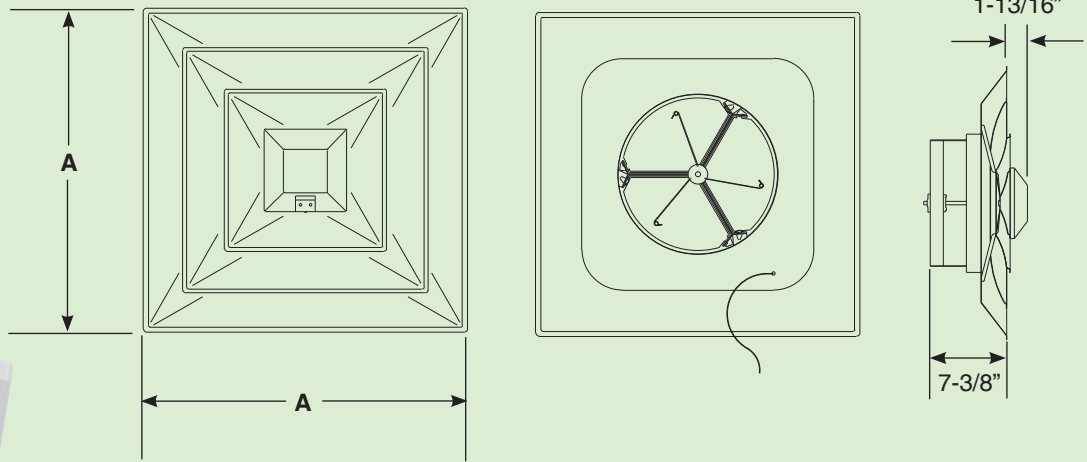


- Ceiling Radiation Dampers (ED Series)**
- Butterfly Type Blade (EDAA, EDDB, EDCA, EDDA)
  - Fabric Type Blade (EDFA, EDGA, EDHA, EDJA)
  - Slimline (EDKA, EDLA)
  - Hinged Door Type Blade (EDMA)
  - Round to Round
  - Square/Rectangle to Round
  - Square/Rectangle to Round with Transition(s)
  - Rectangle to Rectangle

# REMOTE ACTIVATED DIFFUSERS

## Model SRAD

48 Hour



### Notes:

- Stamped steel construction.
- 24 x 24 lay in diffuser.
- 6", 7", 8", 10", 12", 14", 16" inlet sizes available.
- Remote can be hand held or wall mounted.
- Remote uses radio frequencies (FCC approved), not infra-red frequencies. This allows for longer distance, more consistent control and is not affected by line of sight obstructions.
- Remote can handle up to 32 zones, with several units per zone.
- Total versatility in controlling settings. Diffusers can be controlled the following ways:
  - Separate remote for each diffuser.
  - One remote to control all diffusers in one adjustment.
  - One remote to control diffusers individually.
- Uses 24 volt AC from step down transformer. Optional 120/240 volt or 277 volt step down transformer is available. One transformer can handle up to six diffusers.
- In the event of a power outage, the programming chips will retain all data.
- Standard finish is electrocoat acrylic baked enamel. Standard color is #11 ASX bright white.

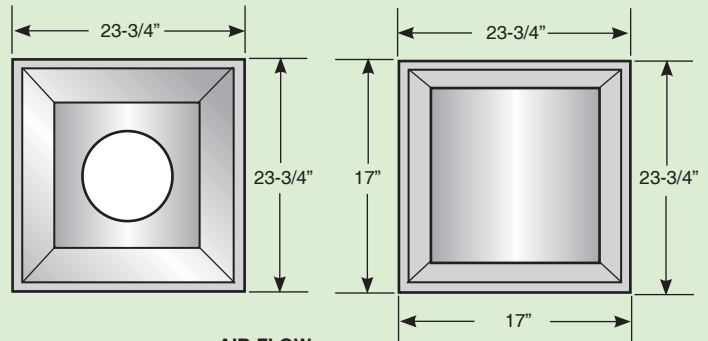
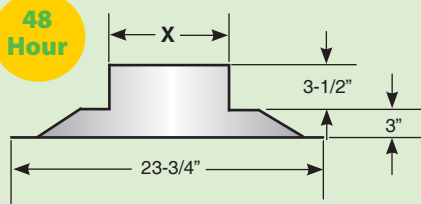
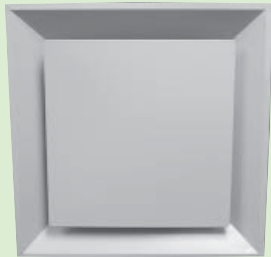
Model Number	Nominal Duct Size (Dia. In.)	A	Actual Inlet Dimension
• SRAD 2406	6	23-3/4	5-7/8
• SRAD 2408	8	23-3/4	7-7/8
• SRAD 2410	10	23-3/4	9-7/8
• SRAD 2412	12	23-3/4	11-7/8
SRAD 2414	14	23-3/4	13-7/8
SRAD 2416	16	23-3/4	15-7/8

• Indicates 48 Hour availability in limited quantities.

# THERMAL VAV DIFFUSERS

## Models SFPV/SHPV

48 Hour



### INDUCTION PATH

Room air is induced across elements #3 and by #4 by use of a simple induction wing. This diverts a small amount of supply air which induces a room air sample through an induction trough located on the back side of the appearance panel.

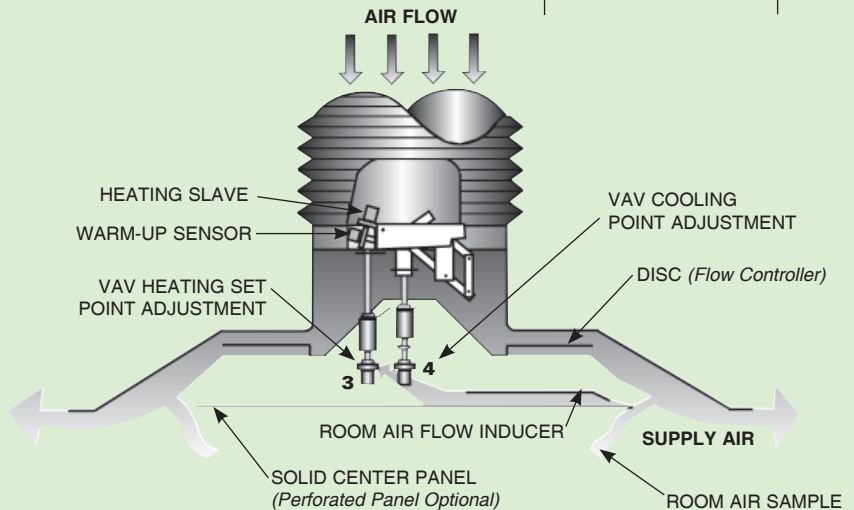
The model SFPV/SHPV VAV provides room temperature control for heating and cooling. Separately adjustable heating and cooling set-points. Factory room temperature set-points of 74 degrees.

Room air is induced past the thermal elements which sense and adjust air flow based upon space requirements. The elements are mechanical and require no electrical or pneumatic connections.

### FEATURES

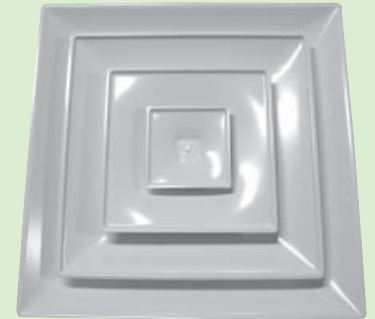
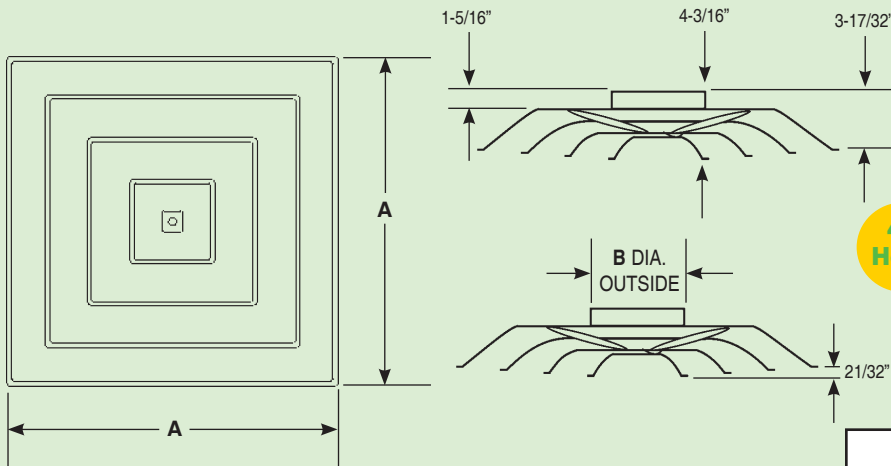
- Construction: 24 gauge electro-galvanized steel.
- Controls: Self-contained, thermally actuated VAV control.
- Models available: 24" x 24" with 6", 8", 10", 12" neck sizes.
- Accessories: Plaster ceiling frames, spline, fine line, relief adapter rings, baffles, perforated face plate.
- Finish: Baked white enamel.

Note: 48 Hour availability in limited quantities.



# FIXED THREE-CONE DIFFUSERS

Models SFTB/SFAB



48 Hour EQS

### Notes:

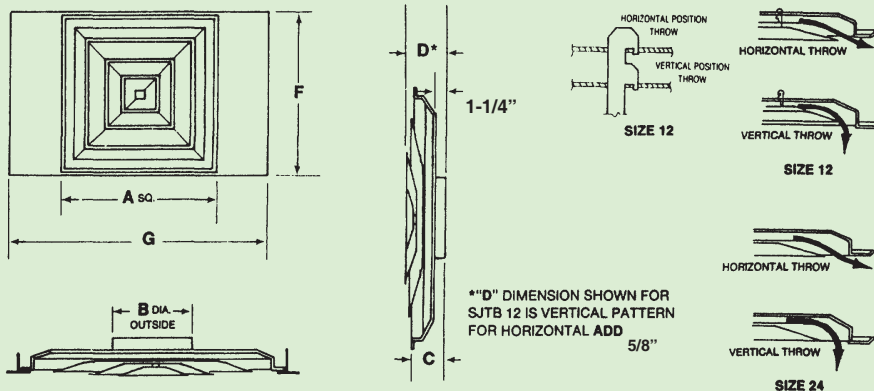
- The inner assembly is easily removable by disengaging the shipping screw and rotating counter clockwise.
- To gain access for damper adjustment, remove the plug button on the center cone.
- To surface mount this diffuser, use ASX model KXFA auxiliary frame.
- Standard finish is #11 bright white electrocoat enamel. Other finishes available upon request.
- Construction of model SFTB is steel.
- Construction of model SFAB is aluminum.

Model Number	Nominal Duct Size (Dia. In.)	A	B
• SFAB/SFTB 2406	6	23-3/4	5-7/8
• SFAB/SFTB 2408	8	23-3/4	7-7/8
• SFAB/SFTB 2410	10	23-3/4	9-7/8
• SFAB/SFTB 2412	12	23-3/4	11-7/8
• SFAB/SFTB 2414	14	23-3/4	13-7/8
• SFAB/SFTB 2416	16	23-3/4	15-7/8

• Steel SFTB available on 48 Hour ship in limited quantities.  
Aluminum SFAB available on 7 Day or 10 Day EQS.

# ADJUSTABLE THREE-CONE DIFFUSERS

Model SJTB



48 Hour EQS



DIMENSIONS LISTED IN INCHES										
Model Number	Nominal Duct Size (Dia.)	Nominal Louvered Area	Panel Size	Panel Mount						Number of Cones
				A	B	C	D	F	G	
SJTB 1206	6	12 x 12	12 x 12	11-3/4	5-7/8	3	3-1/4	11-3/4	11-3/4	2
SJTB 1208	8	12 x 12	12 x 12	11-3/4	7-7/8	3	3-1/4	11-3/4	11-3/4	2
SJTB 1206-Opt. 12	6	12 x 12	12 x 24	11-3/4	5-7/8	3	3-1/4	11-3/4	23-3/4	2
SJTB 1208-Opt. 12	8	12 x 12	12 x 24	11-3/4	7-7/8	3	3-1/4	11-3/4	23-3/4	2
SJTB 1206-Opt. 14	6	12 x 12	12 x 48	11-3/4	5-7/8	3	3-1/4	11-3/4	47-3/4	2
SJTB 1208-Opt. 14	8	12 x 12	12 x 48	11-3/4	7-7/8	3	3-1/4	11-3/4	47-3/4	2
SJTB 1206-Opt. 22	6	12 x 12	24 x 24	11-3/4	5-7/8	3	3-1/4	23-3/4	23-3/4	2
SJTB 1208-Opt. 22	8	12 x 12	24 x 24	11-3/4	7-7/8	3	3-1/4	23-3/4	23-3/4	2
SJTB 1206-Opt. 24	6	12 x 12	24 x 48	11-3/4	5-7/8	3	3-1/4	23-3/4	47-3/4	2
SJTB 1208-Opt. 24	8	12 x 12	24 x 48	11-3/4	7-7/8	3	3-1/4	23-3/4	47-3/4	2
• SJTB 2406	6	24 x 24	24 x 24	23-3/4	5-7/8	4-1/2	5-3/16	23-3/4	23-3/4	3
• SJTB 2408	8	24 x 24	24 x 24	23-3/4	7-7/8	4-1/2	5-3/16	23-3/4	23-3/4	3
• SJTB 2410	10	24 x 24	24 x 24	23-3/4	9-7/8	4-1/2	5-3/16	23-3/4	23-3/4	3
• SJTB 2412	12	24 x 24	24 x 24	23-3/4	11-7/8	4-1/2	5-3/16	23-3/4	23-3/4	3
• SJTB 2414	14	24 x 24	24 x 24	23-3/4	13-7/8	4-1/2	5-3/16	23-3/4	23-3/4	3
SJTB 2406-Opt. 24	6	24 x 24	24 x 48	23-3/4	5-7/8	4-1/2	5-3/16	23-3/4	47-3/4	3
SJTB 2408-Opt. 24	8	24 x 24	24 x 48	23-3/4	7-7/8	4-1/2	5-3/16	23-3/4	47-3/4	3
SJTB 2410-Opt. 24	10	24 x 24	24 x 48	23-3/4	9-7/8	4-1/2	5-3/16	23-3/4	47-3/4	3
SJTB 2412-Opt. 24	12	24 x 24	24 x 48	23-3/4	11-7/8	4-1/2	5-3/16	23-3/4	47-3/4	3
SJTB 2414-Opt. 24	14	24 x 24	24 x 48	23-3/4	13-7/8	4-1/2	5-3/16	23-3/4	47-3/4	3

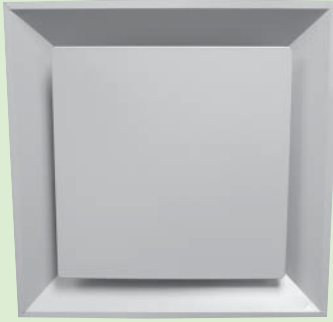
• Available in limited quantities on 48 Hour ship. All others available on 7 Day and 10 Day EQS.

### Notes:

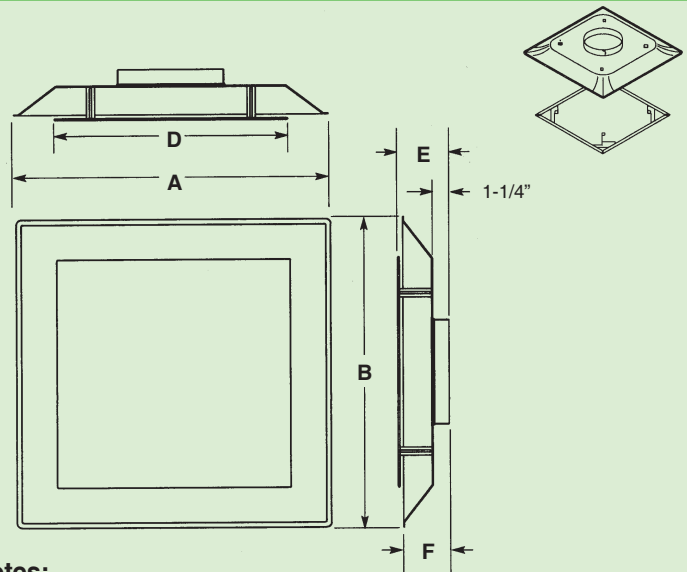
- The inner assembly is easily removable by compressing the shipping screw and rotating counter clockwise.
- To gain access for damper adjustment, remove the plug button on the center cone of the inner assembly.
- Horizontal to vertical air pattern adjustment is made by changing the position of the inner assembly on size 12 and adjusting the pattern deflectors on size 24.
- Standard finish is #11 white electrocoat enamel.

# FIXED PLAQUE DIFFUSERS

## Model SPPA



48 Hour EQS



DIMENSIONS LISTED IN INCHES							
Model Number	Nominal Duct Size Dia.	A	B	C	D	E	F
SPPA 1106	6	11-3/4	11-3/4	5-7/8	9	3-7/16	3
SPPA 1108	8	11-3/4	11-3/4	7-7/8	9	3-7/16	3
SPPA 2406	6	23-3/4	23-3/4	5-7/8	17-5/8	3-7/8	3-1/2
SPPA 2408	8	23-3/4	23-3/4	7-7/8	17-5/8	3-7/8	3-1/2
SPPA 2410	10	23-3/4	23-3/4	9-7/8	17-5/8	3-7/8	3-1/2
SPPA 2412	12	23-3/4	23-3/4	11-7/8	17-5/8	3-7/8	3-1/2
SPPA 2414	14	23-3/4	23-3/4	13-7/8	17-5/8	3-7/8	3-1/2
SPPA 2416	16	23-3/4	23-3/4	15-7/8	17-5/8	3-7/8	3-1/2

• Indicates 48 Hour availability in limited quantities. Other sizes available on 7 Day or 10 Day EQS.

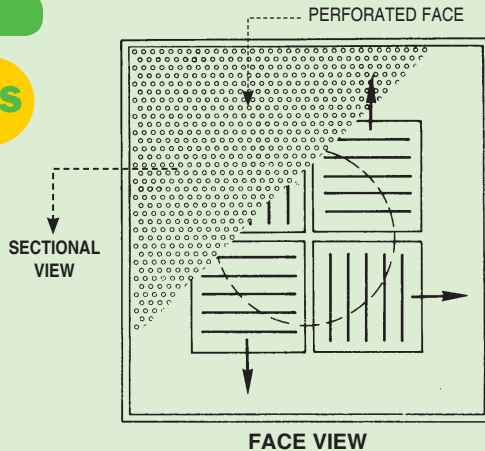
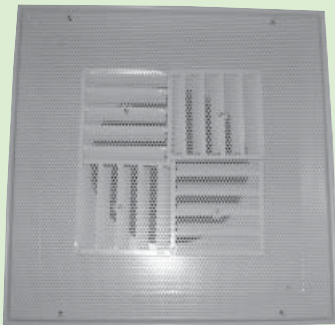
### Notes:

- The core is easily removable by compressing the locking spring and rotating the core counter-clockwise.
- The standard finish is electrocoat baked enamel. Other finishes are available upon request.
- The standard color is #11 bright white. Other colors available on request.
- Inlet is undersized by 1/8" to fit into the duct.
- To mount this diffuser in a plaster ceiling, use KXFA auxiliary frame.
- Construction is steel.
- Unit is shipped completely assembled.

# PERFORATED SUPPLY DIFFUSERS - ROUND NECK

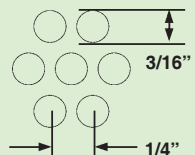
## Models SPAB/SLAB

48 Hour EQS



- MODEL SPAB - Steel Construction
- MODEL SLAB - Aluminum Construction

### Detail of Perforated Hole Pattern



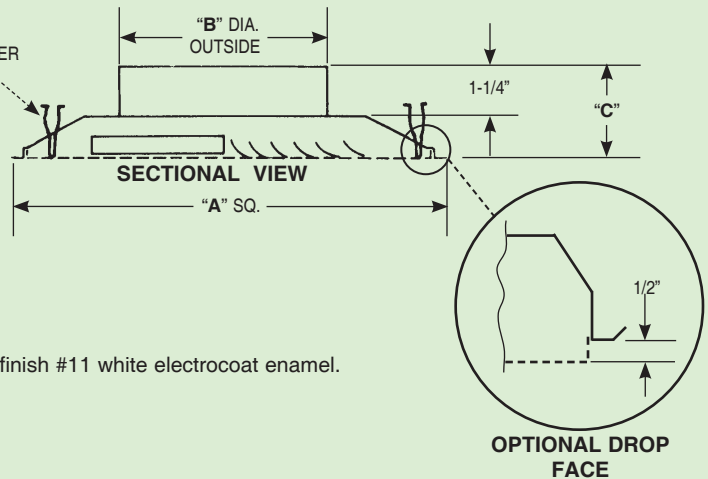
Free area is approximately 51%.

EACH DEFLECTOR CAN BE EASILY ADJUSTED FOR DIFFERENT AIR PATTERNS [4-Way Blow — Illustrated]

DIMENSIONS LISTED IN INCHES					
Model Number	Options		A	B	C
	Drop Face	Alum. Face			
SL/SPAB 114	05			4-7/8	
	06	N/A	A	5-7/8	2-1/2
	08			7-7/8	
SL/SPAB 224	05			4-7/8	
	06			5-7/8	
	08			7-7/8	
	10	D	A	9-7/8	2-3/4
	12			11-7/8	
	14			13-7/8	
16			15-7/8		

• Steel SPAB available on 48 Hour ship in limited quantities. Aluminum SLAB available on 7 Day or 10 Day EQS. Other sizes available on 7 Day or 10 Day EQS.

SAFETY RETAINER IS STANDARD



### Note:

- Standard finish #11 white electrocoat enamel.

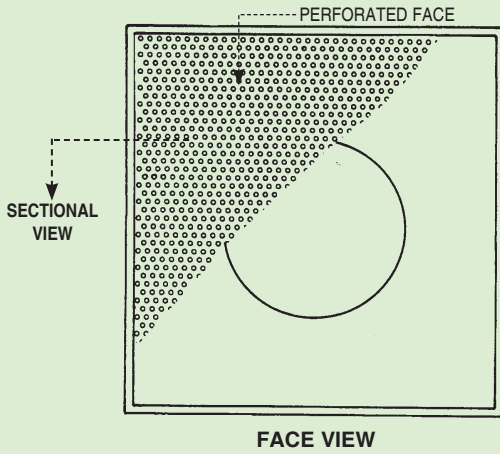


# PERFORATED RETURN DIFFUSERS - ROUND NECK

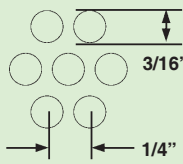
## Models SPRB/SLRB

- MODEL SPRB - Steel Construction
- MODEL SLRB - Aluminum Construction

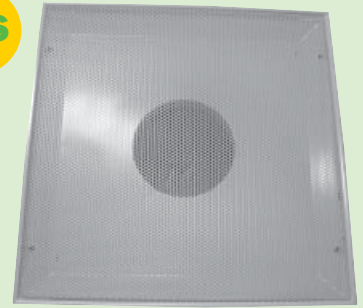
48 Hour EQS



Detail of Perforated Hole Pattern

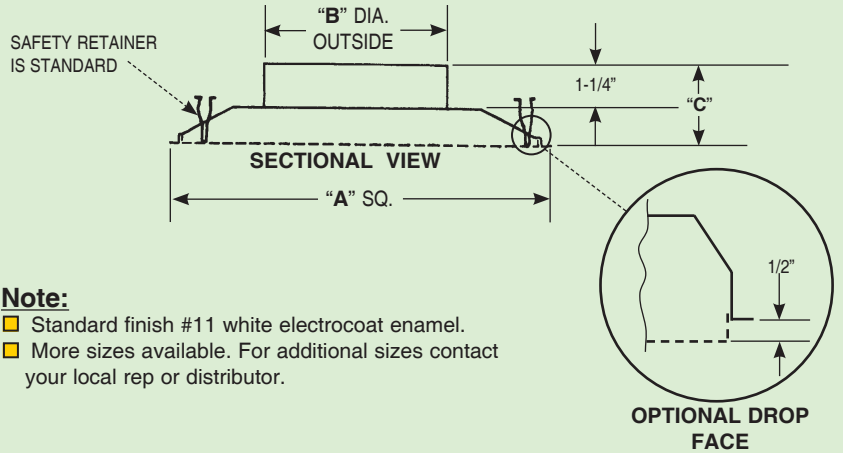


Free area is approximately 51%.



DIMENSIONS LISTED IN INCHES					
Model Number	Options		A	B	C
	Drop Face	Alum. Face			
SL/SPRB 114	05			4-7/8	
	06	N/A	A	5-7/8	2-1/2
	07			6-7/8	
	08			7-7/8	
	05			4-7/8	
06	5-7/8				
SL/SPRB 224	07	D	A	6-7/8	2-3/4
	08			7-7/8	
	10			9-7/8	
	12			11-7/8	
	14			13-7/8	
	16			15-7/8	

• Steel SPRB available on 48 Hour ship in limited quantities.  
Aluminum SLRB available on 7 Day or 10 Day EQS.  
Other sizes available on 7 Day or 10 Day EQS.



**Note:**

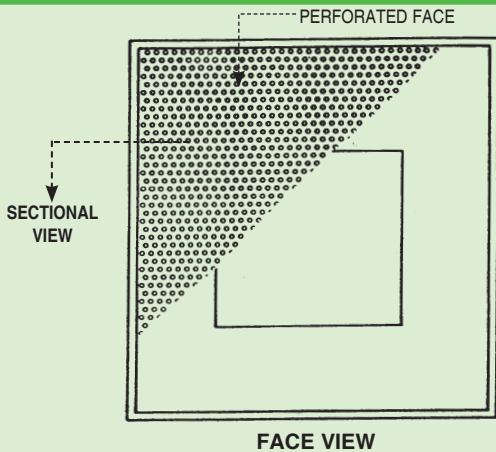
- Standard finish #11 white electrocoat enamel.
- More sizes available. For additional sizes contact your local rep or distributor.

# PERFORATED RETURN DIFFUSERS - SQUARE NECK

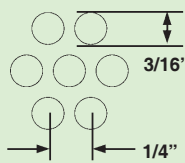
## Models SPJB/SLJB

- MODEL SPJB - Steel Construction
- MODEL SLJB - Aluminum Construction

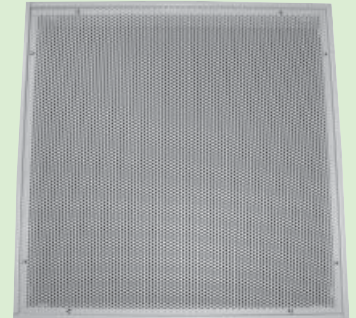
48 Hour EQS



Detail of Perforated Hole Pattern

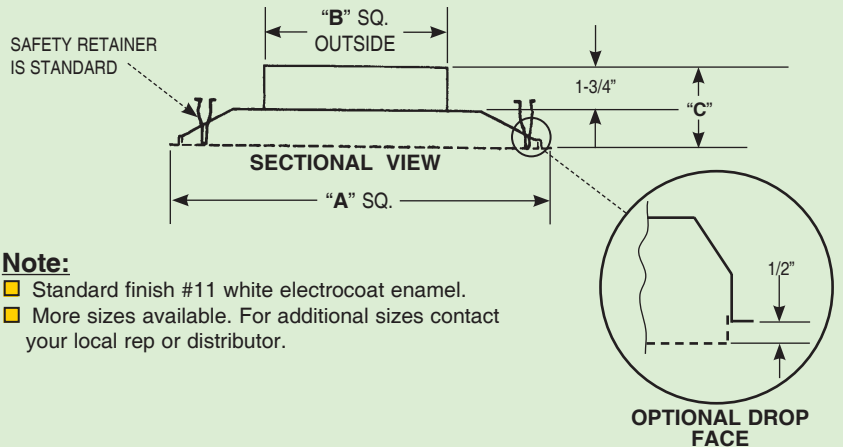


Free area is approximately 51%.



DIMENSIONS LISTED IN INCHES					
Model Number	Options		A	B	C
	Drop Face	Alum. Face			
SL/SPJB 114	06	N/A	A	6x6	3
	08			8x8	
SL/SPJB 124	13	N/A	A	10x22	3-1/4
				x 23-3/4	
SL/SPJB 224	06	D	A	6x6	3-1/4
	08			8x8	
	10			10x10	
	12			12x12	
	14			14x14	
	16			16x16	
	18			18x18	
22	22x22				

• Steel SPJB available on 48 Hour ship in limited quantities.  
Aluminum SLJB available on 7 Day or 10 Day EQS.  
Other sizes available on 7 Day or 10 Day EQS.



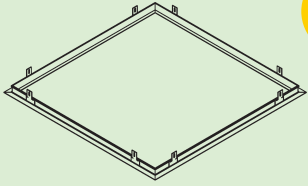
**Note:**

- Standard finish #11 white electrocoat enamel.
- More sizes available. For additional sizes contact your local rep or distributor.

# ALUMINUM AUXILIARY FRAME

## Model KXFAA

48 Hour



### Notes:

- Recommended ceiling opening:  $A + 1/2" \times B + 1/2"$ .
- Mounting kit included (angles and screws).
- Standard color is no. 11 bright white.
- Metric dimensions are listed in millimeters.

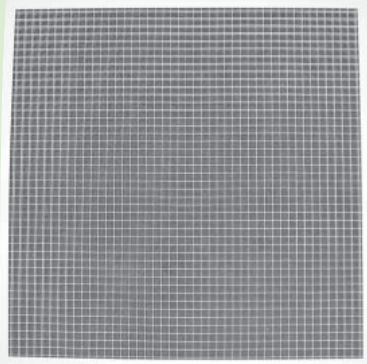
Model	A	B	C	D
KXFAA 1212	12" (305)	12" (305)	13-7/16" (341)	13-7/16" (341)
KXFAA 1224	12" (305)	24" (610)	13-7/16" (341)	25-7/16" (646)
KXFAA 2424	24" (610)	24" (610)	25-7/16" (646)	25-7/16" (646)
KXFAA 2448	24" (610)	48" (1219)	25-7/16" (646)	49-7/16" (1255)

# EGGCRATE REGISTERS & GRILLES

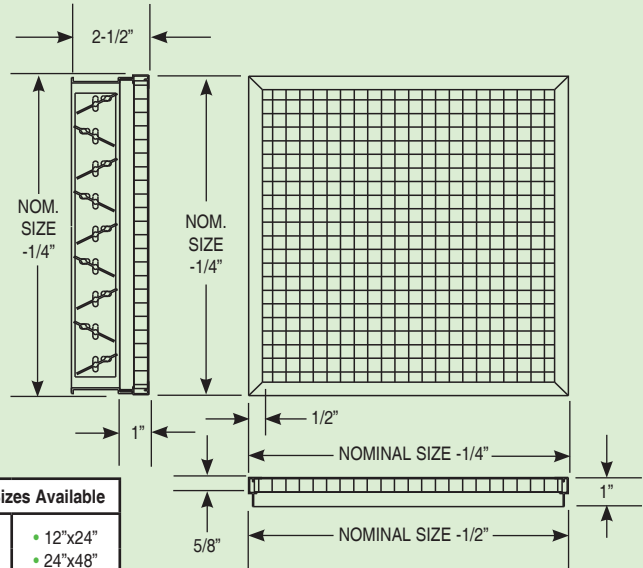
## Models RNPAH/RAPAH

48 Hour

EQS



### Register Model RNPAH



### Notes:

- Standard color is #11 bright white. Other colors are available on request.
- Damper operator is via flat blade screwdriver.
- For t-bar lay in only.
- Frame is aluminum.
- Damper on register model RNPAH is aluminum.
- Eggcrate core is 1/2" x 1/2" x 1/2" aluminum.
- Sizes other than shown at right are available on request.

Model	Damper	Nominal Sizes Available	
• RAPAH	None	12"x12"	• 12"x24" • 24"x48"
• RNPAH	Aluminum	12"x12"	• 12"x24" • 24"x48"

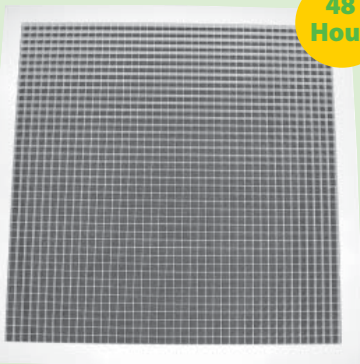
• Available on 48 Hour ship in limited quantities.  
Other sizes available on 7 Day or 10 Day EQS.

# EGGCRATE REGISTERS & GRILLES

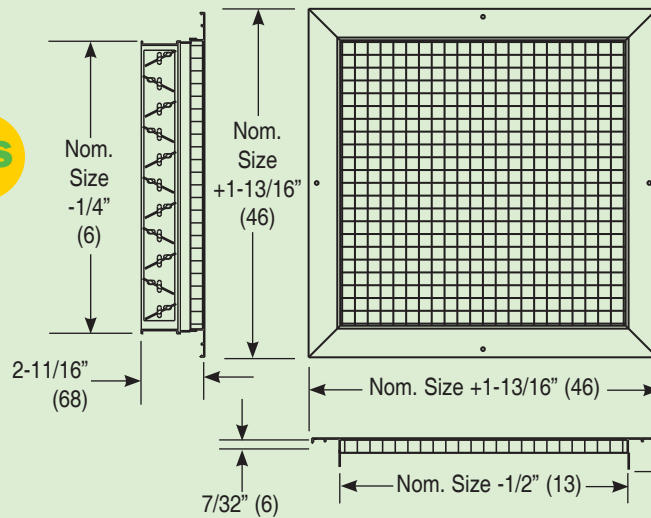
## Models RNPAF/RAPAF RNKAF/RAKAF

48 Hour

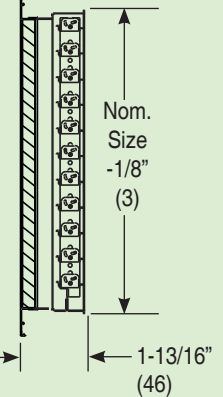
EQS



### Register Model RNPAF



### Grille Model RAKAF (45 degree)



Sizes Available for 48 Hour Ship

Model RAPAF						Model RNPAF	Model RAKAF
6"x6"	10"x10"	14"x6"	16"x12"	20"x20"	24"x16"	30"x8"	10"x10"
8"x4"	10"x22"	14"x8"	16"x14"	22"x22"	24"x18"	46"x22"	10"x22"
8"x6"	12"x6"	14"x10"	16"x16"	24"x8"	24"x20"	48"x12"	22"x22"
8"x8"	12"x8"	14"x14"	18"x12"	24"x10"	24"x24"		
10"x4"	12"x10"	16"x8"	18"x18"	24"x12"			
10"x8"	12"x12"	16"x10"	20"x10"	24"x14"			

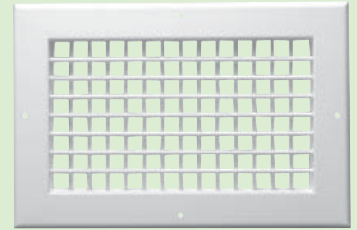
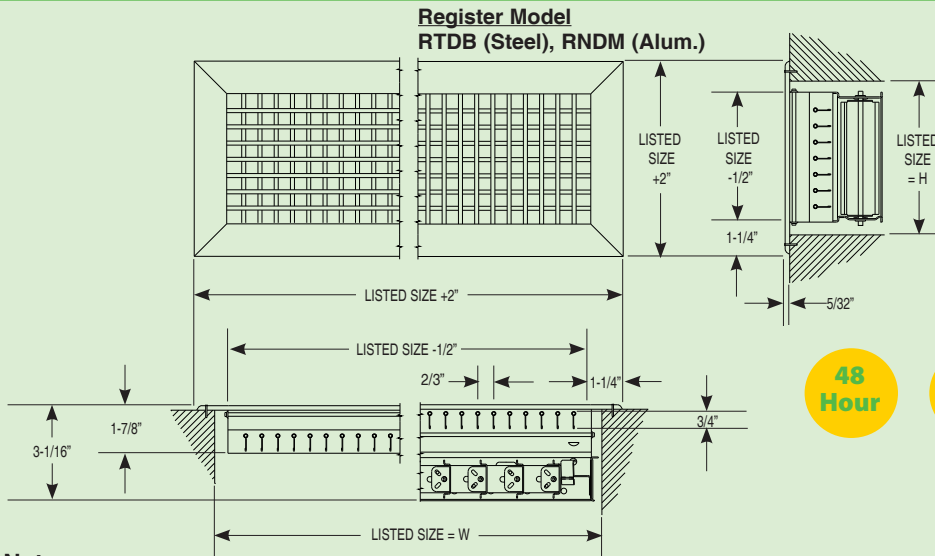
### Notes:

- Standard color is #11 bright white. Other colors are available on request.
- Damper operator is via flat blade screwdriver.
- Frame is aluminum.
- Damper on register model RNPAF is aluminum.
- Eggcrate core is 1/2" x 1/2" x 1/2" aluminum.

\*Lay in application.  
•Lay in or Surface application.

# DOUBLE DEFLECTION REGISTERS & GRILLES

## Models RTDB/RNDM



48 Hour

EQS\*

### Notes:

- Standard screws are #6 x 1-1/4" phillips trusshead screws.
- Polyurethane foam gasket around edge of frame is standard.
- The standard finish is electrocoat acrylic baked enamel. Other finishes available on request.
- The standard color is #11 bright white. Other colors are available on request.
- Front blades can be aligned either horizontally or vertically, and are individually adjustable.
- Center mullion is used for blade lengths exceeding 24" nominal size in either dimension on steel model RTDB.
- Center mullion is used for blade lengths exceeding 18" nominal size on aluminum model RNDM.
- This product is covered by U. S. Patent #5,771,647.
- Metal damper is model RXEA opposed blade damper.
- Aluminum damper is RXDA opposed blade damper.
- The standard operator on the damper takes a medium size flat-blade screwdriver.
- Maximum size shown is the maximum single panel size. Panels can be joined for larger sizes.

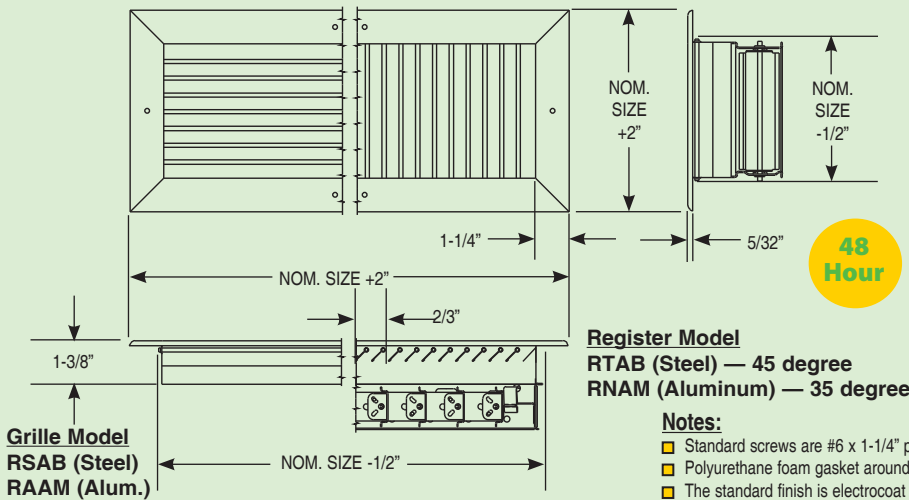
### Sizes Available for 48 Hour Ship

Model RTDBV				
8"x6"	12"x8"	16"x8"	24"x6"	
10"x4"	14"x6"	18"x6"	24"x8"	
10"x6"	14"x8"	20"x6"	24"x10"	
12"x6"	16"x6"	20"x8"	24"x12"	
Model RNDM				
6"x6"	10"x6"	12"x8"	18"x6"	24"x6"
8"x4"	12"x4"	14"x6"	18"x8"	24"x10"
10"x4"	12"x6"	16"x6"	22"x6"	24"x12"

Others sizes available on 7 Day and 10 Day EQS.

# RETURN REGISTERS & GRILLES

## Models RSAB/RTAB/RAAM/RNAM



48 Hour

EQS\*



Register Model  
RTAB (Steel) — 45 degree  
RNAM (Aluminum) — 35 degree

### Notes:

- Standard screws are #6 x 1-1/4" phillips trusshead screws.
- Polyurethane foam gasket around edge of frame is available on request.
- The standard finish is electrocoat acrylic baked enamel. Other finishes available on request.
- The standard color is #11 bright white. Other colors are available on request.
- Blades can be aligned either horizontally or vertically, and are fixed at 45° deflection.
- Center mullion is used for blade lengths exceeding 24" nominal size on steel models RSAB and RTAB.
- Center mullion is used for blade lengths exceeding 18" nominal size on aluminum models RAAM & RNAM.
- This product is covered by U. S. Patent #5,771,647.
- Metal damper is model RXEA opposed blade damper.
- Aluminum damper is model RXDA opposed blade damper.
- The standard operator on the damper takes a medium size flat-blade screwdriver.
- Maximum size shown is the maximum single panel size. Panels can be joined for larger sizes.

### Sizes Available for 48 Hour Ship

Model RSAB			Model RTAB		
6"x6"	12"x6"	21-3/4"x9-3/4"	6"x6"	12"x12"	
8"x8"	12"x12"	21-3/4"x21-3/4"	8"x8"	21-3/4"x21-3/4"	
10"x10"	14"x14"	24"x24"	10"x10"		
Model RAAM			Model RNAM		
6"x6"	12"x12"	18"x6"	22"x10"	6"x6"	14"x14"
8"x6"	14"x6"	18"x18"	22"x22"	8"x6"	16"x16"
8"x8"	14"x14"	20"x12"	24"x6"	8"x8"	18"x18"
10"x10"	16"x8"	22"x6"		10"x10"	22"x10"
12"x8"	16"x16"			12"x8"	22"x22"
				12"x12"	

\*Lay in application.

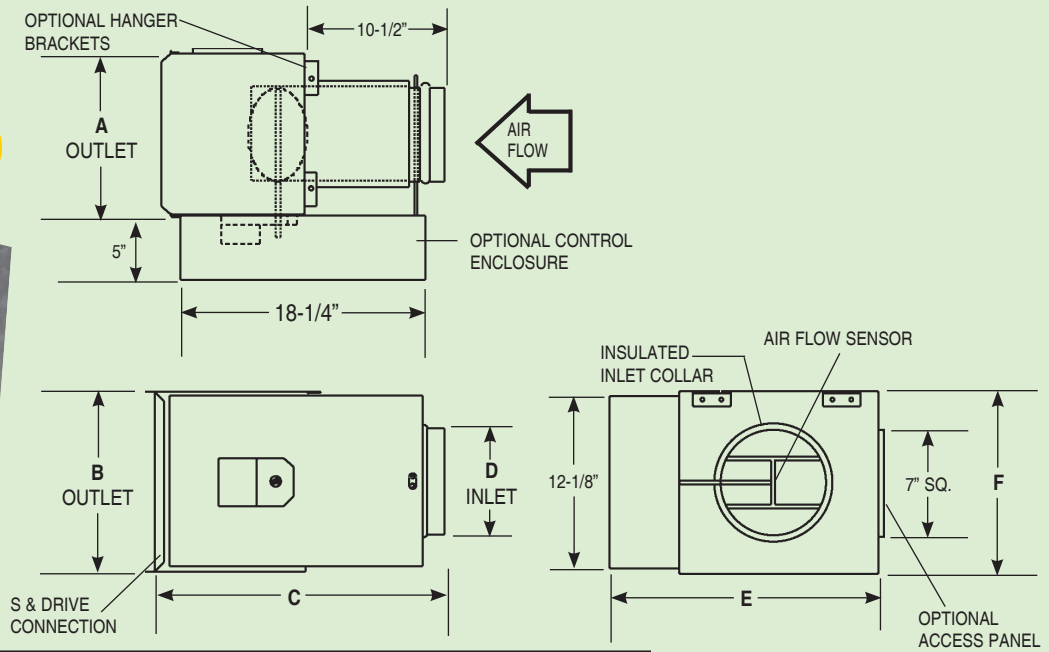
Others sizes available on 7 Day and 10 Day EQS.

Lay In	Size	Order Size	STEEL		ALUMINUM	
			OD Size	Size	OD Size	Size
■	12"x12"	9-3/4"x9-3/4"	11-3/4"x11-3/4"	10"x10"	11-3/4"x11-3/4"	
■	24"x12"	21-3/4"x9-3/4"	23-3/4"x11-3/4"	22"x10"	23-3/4"x11-3/4"	
■	24"x24"	21-3/4"x21-3/4"	23-3/4"x23-3/4"	22"x22"	23-3/4"x23-3/4"	
■	24"x48"	21-3/4"x45-3/4"	23-3/4"x47-3/4"	46"x22"	47-3/4"x23-3/4"	

\*Standard sizing is in even inch increments in both dimensions. Odd inch and fractional sizing [in 1/8" increments] is available on request but not available on EQS.

# SINGLE DUCT TERMINAL UNITS - COOLING ONLY

## Model AVCD



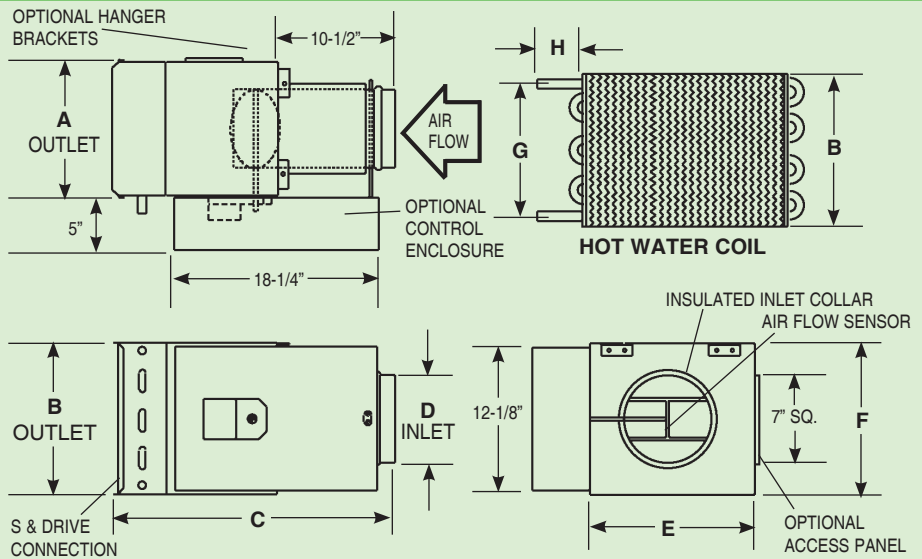
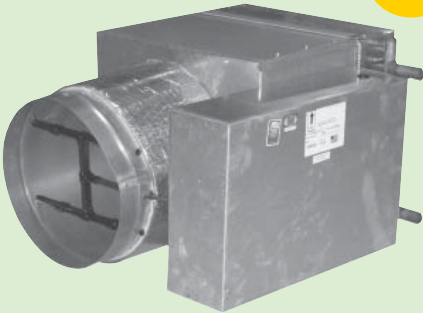
DIMENSIONS LISTED IN INCHES

Unit Size	CFM Range	OUTLET		C	INLET		E	F
		A	B		D			
06	0-500	12	8	20-1/2	5-7/8	17	7-5/8	
08	0-1000	12	10	20-1/2	7-7/8	17	10-1/8	
10	0-1500	14	12-1/2	20-1/2	9-7/8	19	12-5/8	
12	0-2300	16	15	20-1/2	11-7/8	21	15-1/8	
14	0-3100	20	17-1/2	20-1/2	13-7/8	25	17-5/8	
16	0-4200	24	18	21-1/2	15-7/8	29	17-5/8	

More sizes available. For additional sizes contact your local rep or distributor.

# SINGLE DUCT TERMINAL UNITS - COOLING WITH HOT WATER REHEAT

## Model AVWE



DIMENSIONAL LISTED IN INCHES

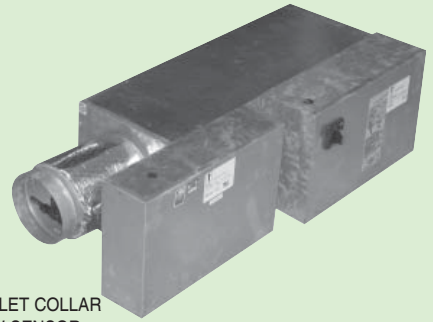
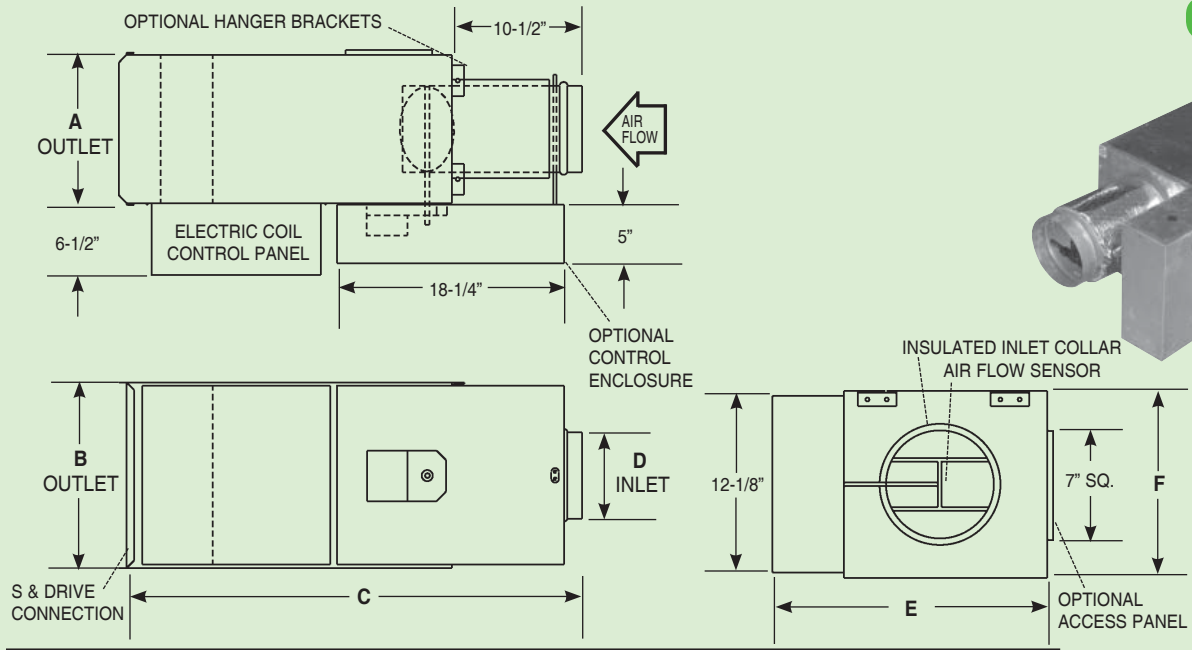
Unit Size	CFM Range	Outlet		1-Row C	2-Row C	Inlet D	E	F	1-Row		2-Row		O.D. Conn.	
		A	B						G	H Max.	G	H Max.	1-Row Coil	2-Row Coil
06	0-500	12	8	23-5/8	25	5-7/8	17	7-5/8	6-1/4	3	6-7/8	3	1/2	1/2
08	0-1000	12	10	23-5/8	25	7-7/8	17	10-1/8	8-3/4	3	9-3/8	3	1/2	5/8
10	0-1500	14	12-1/2	23-5/8	25	9-7/8	19	12-5/8	11-1/4	3	11-7/8	3	1/2	5/8
12	0-2300	16	15	23-5/8	25	11-7/8	21	15-1/8	13-3/4	3-1/2	13	4	5/8	7/8
14	0-3100	20	17-1/2	23-5/8	25	13-7/8	25	17-5/8	16-1/4	3-1/2	15-1/2	4	5/8	7/8
16	0-4200	24	18	24-5/8	26	15-7/8	29	17-5/8	16-1/4	3-1/2	15-1/2	4	5/8	7/8

More sizes avail. For additional sizes contact your local rep or distributor.



# SINGLE DUCT TERMINAL UNITS - COOLING WITH ELECTRIC REHEAT

**Model AVED**

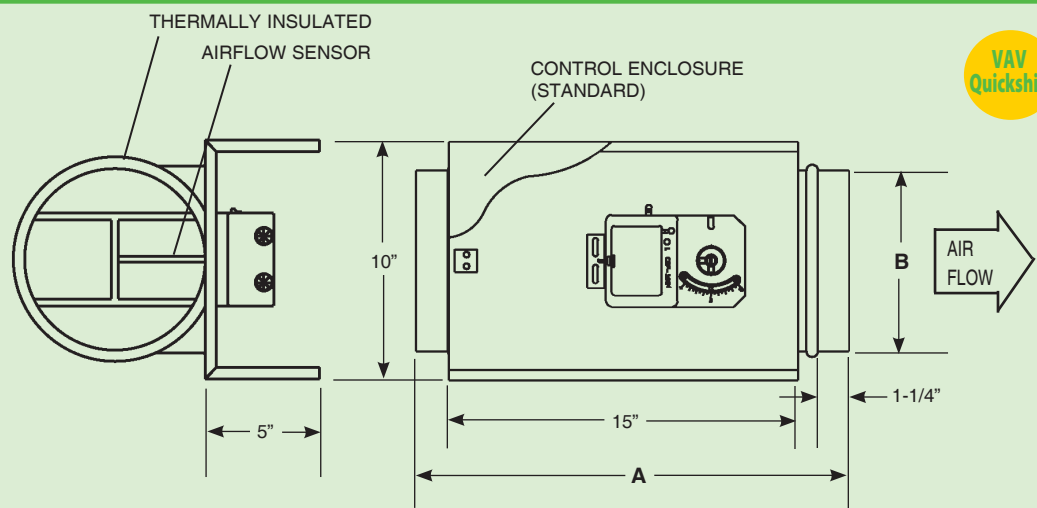


DIMENSIONS LISTED IN INCHES								
Unit Size	CFM Range	OUTLET		C	INLET		E	F
		A	B		D			
06	0-500	12	8	44-3/8	5-7/8	18-1/2	7-5/8	
08	0-1000	12	10	44-3/8	7-7/8	18-1/2	10-1/8	
10	0-1500	14	12-1/2	44-3/8	9-7/8	20-1/2	12-5/8	
12	0-2300	16	15	44-3/8	11-7/8	22-1/2	15-1/8	
14	0-3100	20	17-1/2	44-3/8	13-7/8	26-1/2	17-5/8	
16	0-4200	24	18	44-3/8	15-7/8	30-1/2	17-5/8	

More sizes available. For additional sizes contact your local rep or distributor.

# ROUND RETROFIT

**Model ARRE**

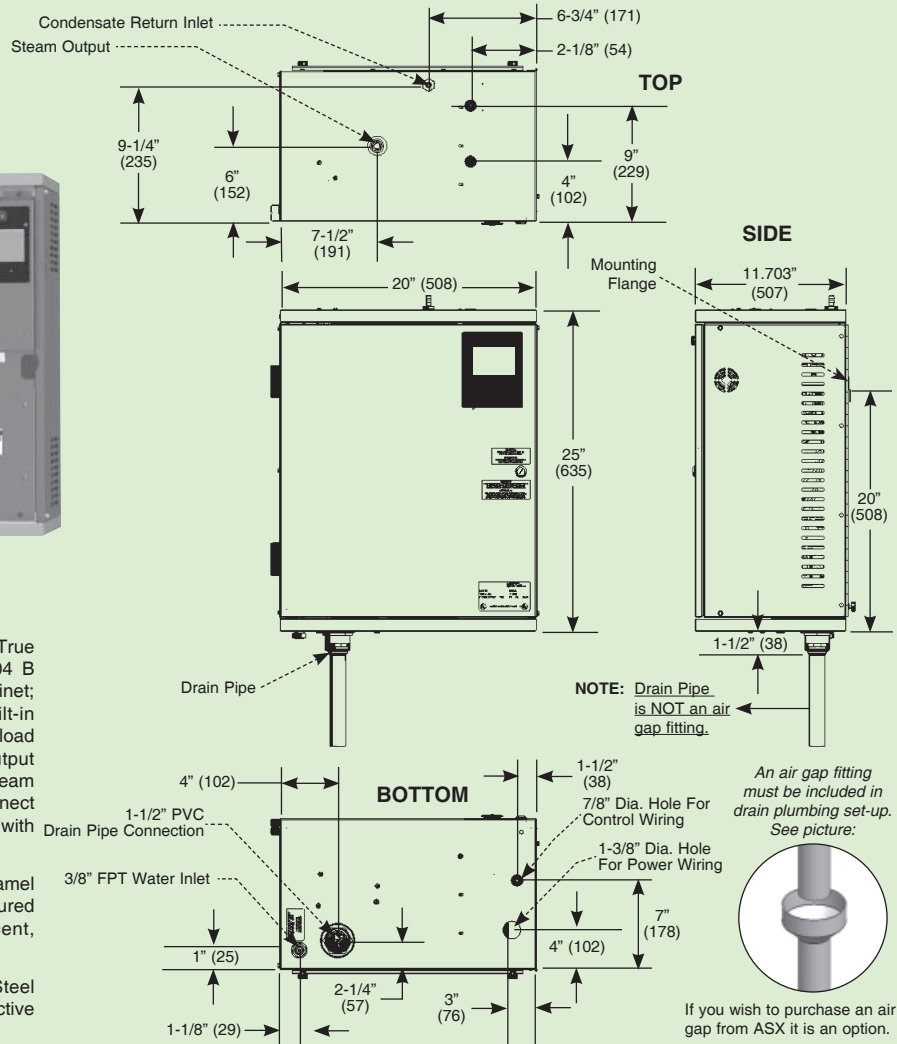
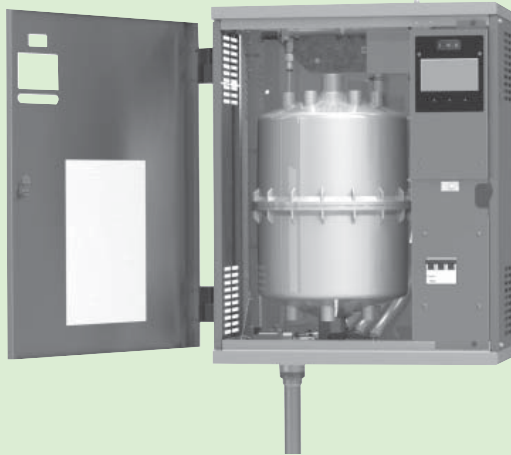


DIMENSIONS LISTED IN INCHES			
Unit Size	CFM Range	A	B
06	0-500	19	5-7/8
08	0-1000	19	7-7/8
10	0-1500	19	9-7/8
12	0-2300	21	11-7/8
14	0-3100	22	13-7/8
16	0-4200	23	15-7/8

More sizes available. For additional sizes contact your local rep or distributor.

# STEAM HUMIDIFIERS

**Models**  
**H\_AH**  
**H\_DH**  
**H\_GH**



**SYSTEM INCLUDES:** Cylinders Installed in Cabinet; True Touchscreen Control Display; 304 B 20 gauge Stainless Steel Cabinet; Prewired and Prepped; Built-in Water Strainer; Electronic Overload Protection; Digital Steam Output Meter Calibrated In Pounds of Steam per Hour; Door Interlock to Disconnect Power to Cylinders; Hinged Door with Lock.

**OPTION:** Dipped Electrostatic Baked Enamel Undercoat with Multispec Textured Topcoat with Black Accent, Architectural Grade.

**FINISH:** 304 B 20 gauge Stainless Steel Shipped with Novacel 4228 Protective Film.

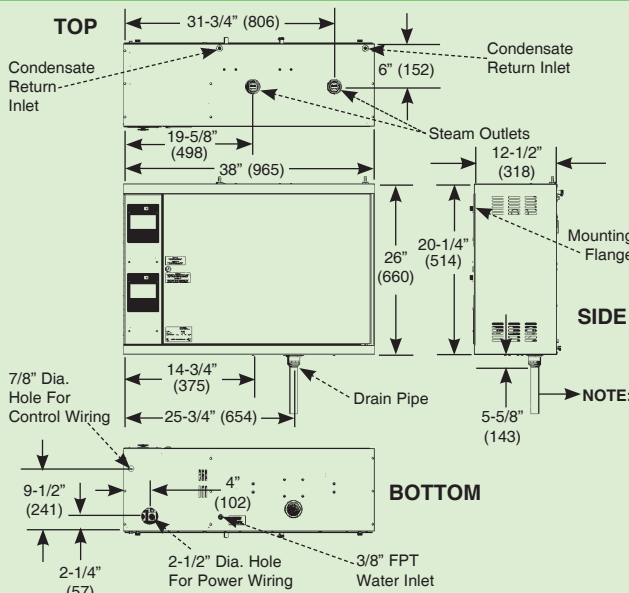
Model	Max. Lb/Hr.	kW	Ph.	Volt	Line Amp	Disc. Size	Opt. Circuit Breaker	Steam Cylinder
H_AH	5	1.7	1	120	14.4	25	1-20	1-AX220
				208	8.3	15	1-15	1-AX380
				230	7.5	15	1-20	1-AX380
				277	6.2	15	1-15	1-AX380
				380	4.5	15	1-15	1-AX600
				415	4.2	15	1-15	1-AX600
	10	3.4	1	460	3.7	15	1-15	1-AX700
				575	3.0	15	1-15	1-AX700
				120	28.7	45	1-40	1-AX220
				208	16.6	25	1-25	1-AX380
				230	15.0	25	1-25	1-AX380
				277	12.4	20	1-20	1-AX380
H_DH	20	6.9	1	380	9.1	15	1-15	1-AX600
				415	8.3	15	1-15	1-AX600
				460	7.5	15	1-15	1-AX700
				575	6.0	15	1-15	1-AX700
				208	33.1	50	1-45	1-B380
				230	29.9	45	1-40	1-B380
	20	6.9	3	277	24.9	40	1-35	1-B380
				380	18.1	30	1-30	1-B600
				415	16.6	25	1-25	1-B600
				460	15.0	25	1-25	1-B700
				575	12.0	20	1-15	1-B700
				208	19.1	30	1-25	1-B500
30		10.3	3	230	17.3	30	1-25	1-B500
				380	10.4	20	1-20	1-B600
				415	9.6	20	1-20	1-B700
				460	8.6	15	1-15	1-B700
				575	6.9	15	1-15	1-B700
				208	28.7	45	1-40	1-B500

Model	Max. Lb/Hr.	kW	Ph.	Volt	Line Amp	Disc. Size	Opt. Circuit Breaker	Steam Cylinder
H_GH	30	10.3	1	208	49.7*	80	2-35*	1-C62
				230	44.9	70	1-60	1-C62
				277	37.3	60	1-50	1-C62
				380	27.2	45	1-40	1-C62
				415	24.9	40	1-40	1-C62
				460	22.5	35	1-30	1-C62
	40	13.8	3	575	17.9	30	1-25	1-C62
				208	38.3	60	1-60	1-C62
				230	34.6	60	1-50	1-C62
				380	20.9	35	1-35	1-C65
				415	19.2	30	1-30	1-C65
				460	17.3	30	1-25	1-C65
	50	17.2	3	575	13.8	25	1-20	1-C65
				208	47.8	80	2-35	1-C62
				230	43.2	70	1-60	1-C62
				380	26.2	40	1-40	1-C65
				415	24.0	40	1-40	1-C65
				460	21.6	35	1-30	1-C65
	60	20.7	3	575	17.3	30	1-25	1-C65
				208	57.4*	80	2-40*	1-C62
				230	51.9*	80	2-40*	1-C62
				380	31.4	50	1-50	1-C65
				415	28.8	45	1-45	1-C65
				460	26.0	40	1-40	1-C65
80	27.5	3	575	20.8	35	1-30	1-C65	
			208	76.5*	125	2-60*	1-C62	
			230	69.2*	110	2-50*	1-C62	
			380	41.9	70	1-60	1-C12	
			415	38.4	60	1-60	1-C12	
			460	34.6	60	1-50	1-C12	
100	34.4	3	575	27.7	45	1-40	1-C12	
			230	86.4*	150	2-60*	1-C62	
			380	52.3*	110	2-50*	1-C12	
			415	47.9	80	2-40	1-C12	
			460	43.3	70	1-60	1-C12	
			575	34.6	60	1-50	1-C12	

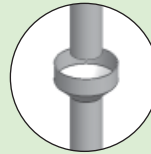
\* = Circuit Breaker is REQUIRED per NEC 48 amp guidelines.

# STEAM HUMIDIFIERS

**Models  
H\_HH**



An air gap fitting must be included in drain plumbing set-up. See picture:



If you wish to purchase an air gap from ASX it is an option.



**SYSTEM INCLUDES:** Cylinders Installed in Cabinet; True Touchscreen Control Display; 304 B 20 gauge Stainless Steel Cabinet; Prewired and Prepped; Built-in Water Strainer; Electronic Overload Protection; Digital Steam Output Meter Calibrated In Pounds of Steam per Hour; Door Interlock to Disconnect Power to Cylinders; Hinged Door with Lock.

**OPTION:** Dipped Electrostatic Baked Enamel Undercoat with Multispec Textured Topcoat with Black Accent, Architectural Grade.

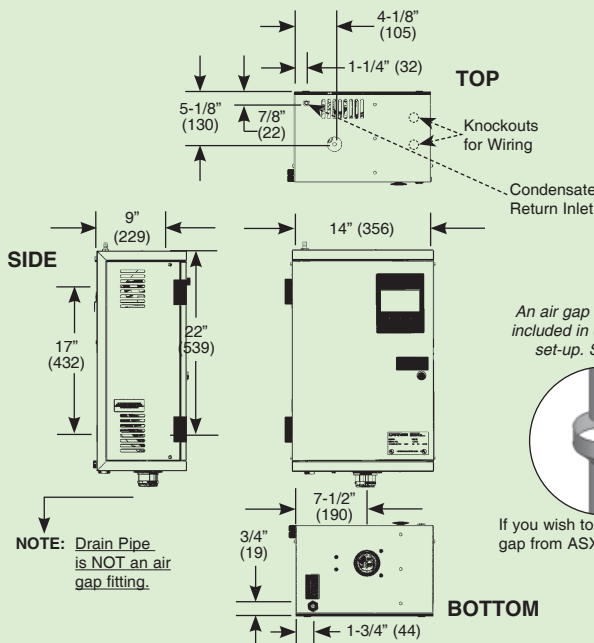
**FINISH:** 304 B 20 gauge Stainless Steel Shipped with Novacel 4228 Protective Film.

Model	Max. Lb./Hr.	kW	Ph.	Volt	Line Amp	Disc. Size	Opt. Circuit Breaker	Steam Cylinder
H_HH	125	43	3	208	119.5*	200	4-40"	C62 (2)
				230	108*	175	4-40"	C62 (2)
				380	65.3*	100	2-50"	C12 (2)
				415	59.8*	90	2-45"	C12 (2)
				460	54.0*	90	2-40"	C12 (2)
	150	51.7	3	575	43.2	70	2-30"	C12 (2)
				208	143.5*	225	4-50"	C62 (2)
				230	129.7*	200	4-50"	C62 (2)
				380	78.6*	125	2-60"	C12 (2)
				415	71.9*	110	2-60"	C12 (2)
	175	60.3	3	460	64.8*	100	2-50"	C12 (2)
				575	51.9*	80	2-35"	C12 (2)
				208	167.3*	300	4-60"	C62 (2)
				230	151.3*	250	4-60"	C62 (2)
				380	91.6*	150	4-35"	C12 (2)
200	68.9	3	415	83.9*	150	2-60"	C12 (2)	
			460	75.6*	125	2-60"	C12 (2)	
			575	60.5*	100	2-50"	C12 (2)	
			208	191.2*	300	4-60"	C62 (2)	
			230	172.9*	300	4-60"	C62 (2)	

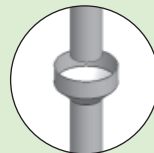
\* = Circuit Breaker is REQUIRED per NEC 48 amp guidelines.

# STEAM HUMIDIFIERS

**Model HRAB**



An air gap fitting must be included in drain plumbing set-up. See picture:



If you wish to purchase an air gap from ASX it is an option.



**SYSTEM INCLUDES:** Cylinder installed in Cabinet; True Touchscreen Control Display; 304 B 20 gauge Stainless Steel Cabinet; Prewired and Prepped; Built-in Water Strainer; Electronic Overload Protection; Digital Steam Output Meter Calibrated in Pounds of Steam per Hour; Door Interlock to Disconnect Power to Cylinders; Hinged Door with Lock.

**OPTION:** Dipped Electrostatic Baked Enamel Undercoat with Multispec Textured Topcoat with Black Accent, Architectural Grade.

**FINISH:** 304 B 20 gauge Stainless Steel Shipped with Novacel 4228 Protective Film.

Model	Max. Lb./Hr.	kW	Voltage	Phase	Line Amp Rating	Recommended Disconnect Size (Amps)	Steam Cylinder
HRABA U 005	5	1.7	120	1	14.4	20	HXCBAX220
HRABD U 005	5	1.7	230	1	7.5	15	HXCBAX380
HRABD U 010	10	3.4	230	1	15.0	20	HXCBAX380

U = UL  
C = cUL

**48  
Hour**

# REPLACEMENT CYLINDERS



Models Available
HXCBAX145
HXCBAX220
HXCBAX380
HXCBAX500
HXCBAX600
HXCBAX700



Models Available
HXCCB380
HXCCB500
HXCCB600
HXCCB700



Models Available
HXCBC6F
HXCBC6X
HXCBC61
HXCBC62
HXCBC63
HXCBC64
HXCBC65
HXCBC12

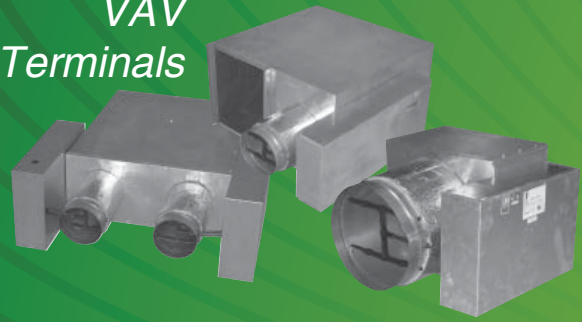
# Your Path to Quality HVAC Solutions

---

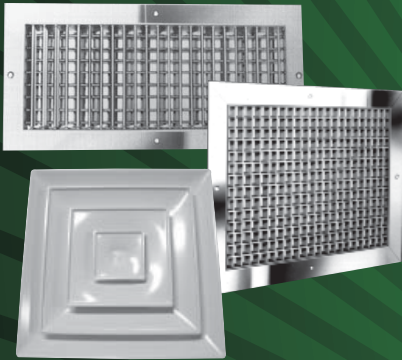
*Vents & Fans*



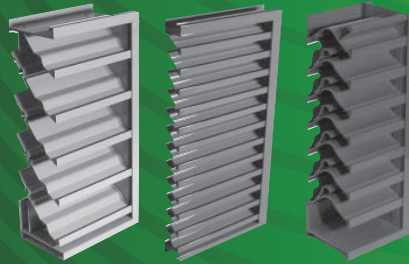
*VAV  
Terminals*



*Registers, Grilles  
& Diffusers*



*Louvers & Penthouses*



*Energy  
Recovery*



*Fire & Smoke  
Dampers*



*Humidifiers*



---

**AIR SPECIALTIES**  
***express***<sup>®</sup>

448 South Main Street  
P.O. Box 930040  
Verona, WI 53593-0040  
Ph: 877.945.9175  
Fax: 608.845.6504  
Email: [info@airspecialties.com](mailto:info@airspecialties.com)

[WWW.AIRSPECIALTIES.COM](http://WWW.AIRSPECIALTIES.COM)

