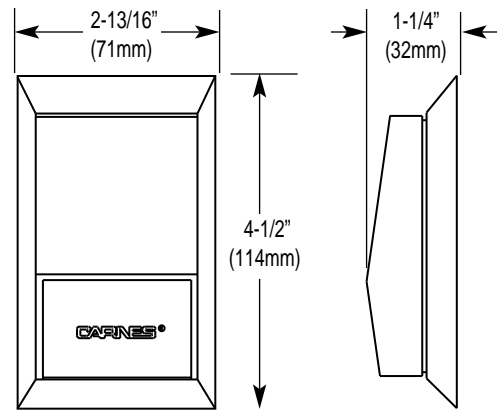


IP [English] Dimensions
Metric (SI) In Parentheses

CARNES COMPANY 448 S. Main St., P. O. Box 930040, Verona, WI 53593-0040 Phone: (608)845-6411 Fax: (608)845-6504 www.carnes.com

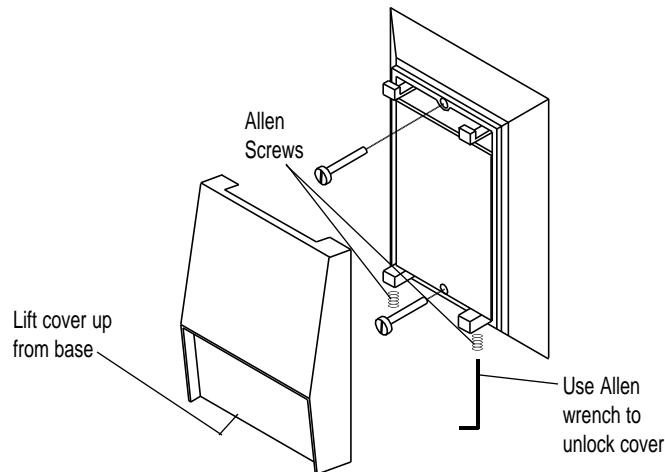
SPECIFICATIONS



The wall mounted HXHCG Humidistat uses a monolithic sensor and electronic circuitry to provide accurate and reliable humidity sensing. Set point range is 0 to 100% R. H. to cover most application requirements. The HXHCG has a concealed setpoint adjustment with a locking cover to prevent tampering. Ambient operating conditions are from 0° to 85°C.

INSTALLATION

The HXHCG has a locking cover. Unlock and open the cover by inserting an Allen wrench as shown.



All wiring connections must be made in accordance with the National Electrical Code and all local regulations.

Make connections using No. 18 AWG wire.

Avoid running control wiring near high voltage primary wires.

