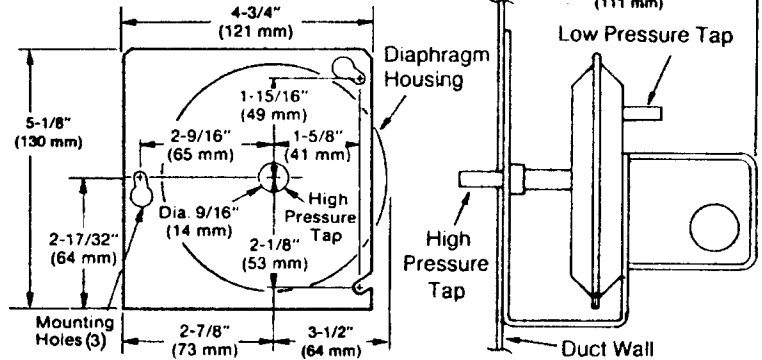


IP [English] Dimensions SI (Metric) In Parentheses

CARNES COMPANY 448 S. Main St., P. O. Box 930040, Verona, WI 53593-0040 Phone: (608)845-6411 Fax: (608)845-6504 www.carnes.com

SPECIFICATIONS



Air flow in the duct may be sensed by using this differential pressure switch. The differential in pressure between the interior of the duct and ambient when air is moving in the duct closes a micro switch allowing the humidifier to operate.

Setpoint:

Factory Set, 0.07" (1.8mm) W.C.

Field Adjustable, 0.07 to 1" (1.8 to 25.4mm) W.C.

Sensing Element: Neoprene diaphragm.

Differential: 0.04" (1mm) W.C. at minimum setpoint to 0.1" (3mm) W.C. at maximum setpoint.

Environment:

Ambient Temperature Limits,

Shipping -40 to 140°F (-40 to 60°C).

Operating 35 to 140°F (0 to 60°C).

Humidity, 5 to 95% R.H., non-condensing.

Locations, NEMA Type 1 indoor only.

Maximum Pressure: 12" (305mm) W.C.

Electrical Switch: Snap action SPDT.

Connections: Coded screw terminals.

Case: All metal with 1/2" (13mm) conduit opening.

Mounting: In vertical position on any surface free of vibration

INSTALLATION

Make all electrical connections in accordance with job wiring diagram and in compliance with national and local electrical codes. On an increase of air pressure to above setpoint, common contact of switch is made to normally open contact. On a decrease of air pressure to below setpoint, common contact of switch is made to normally closed contact. Avoid locations where excessive moisture, corrosive fumes or vibrations are present.

Avoid running control wiring near high voltage primary wires.

Adjustment

Note: Units are shipped at minimum setpoint.

To increase setpoint, turn adjustment screw clockwise.

Adjustable 0.05 ± 0.02" to 1.0" (1.25mm ± 0.5mm to 25mm) W.C.

To decrease setpoint, turn adjustment screw counterclockwise.

AIR FLOW SWITCH WIRING

