

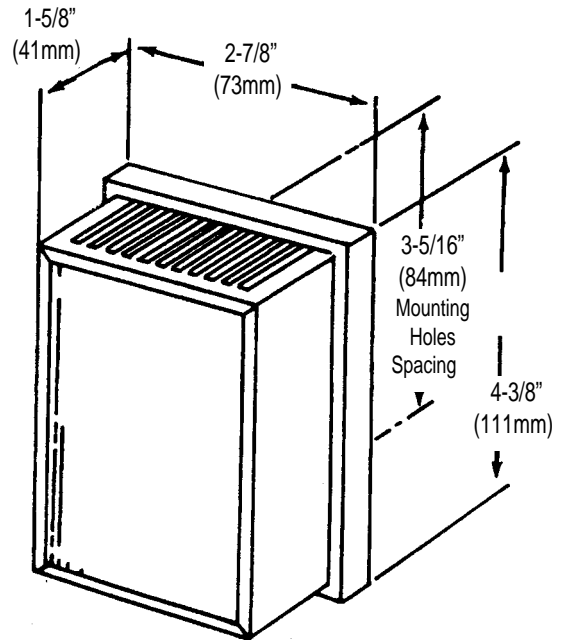
IP [English] Dimensions
SI (Metric) in Parentheses

CARNES COMPANY 448 S. Main St., P. O. Box 930040, Verona, WI 53593-0040 Phone: (608)845-6411 Fax: (608)845-6504 www.carnes.com

SPECIFICATIONS



This attractive wall mounted humidistat is a convenient control for mounting in the conditioned space. Select a location four or five feet above the floor in freely circulating air of the temperature and humidity about average for the entire space to be controlled. Avoid locations near hot or cold air ducts and discharge air from the humidifier. Scale range is from 10%-90% R. H. Differential is 5% non-adjustable.



INSTALLATION

The HXHAA requires upright mounting on a flat vertical surface. Locate the unit where it will be exposed to unrestricted circulation of air which represents the average humidity of the controlled space.

Unit may be installed on either a flush switch box, or a surface switch box, or directly on a wall.

Make all electrical connections in accordance with job wiring diagram in compliance with national and local electrical codes.

Avoid runing control wiring near high voltage primary wires.

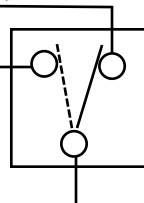
Mount with Number 6 screws provided for switch box mounting. Different screws are required for wall mounting.

RED MAKES TO ORANGE
on a R. H. Rise.

BROWN MAKES TO ORANGE
on a R. H. Drop.

BROWN (N. O.) (To Terminal 2 or 4) on J16

RED (N. C.)



ORANGE (COMMON)
(To Terminal 2 or 4) on J16

NOTE: The HXHAA has 6" (152mm) leads and a green grounding wire for use with non-conducting conduit.

ON/OFF HUMIDISTAT WIRING FOR ROOM HUMIDITY CONTROL

