

CARNES COMPANY 448 S. Main St., P. O. Box 930040, Verona, WI 53593-0040 Phone: (608)845-6411 Fax: (608)845-6504 www.carnes.com

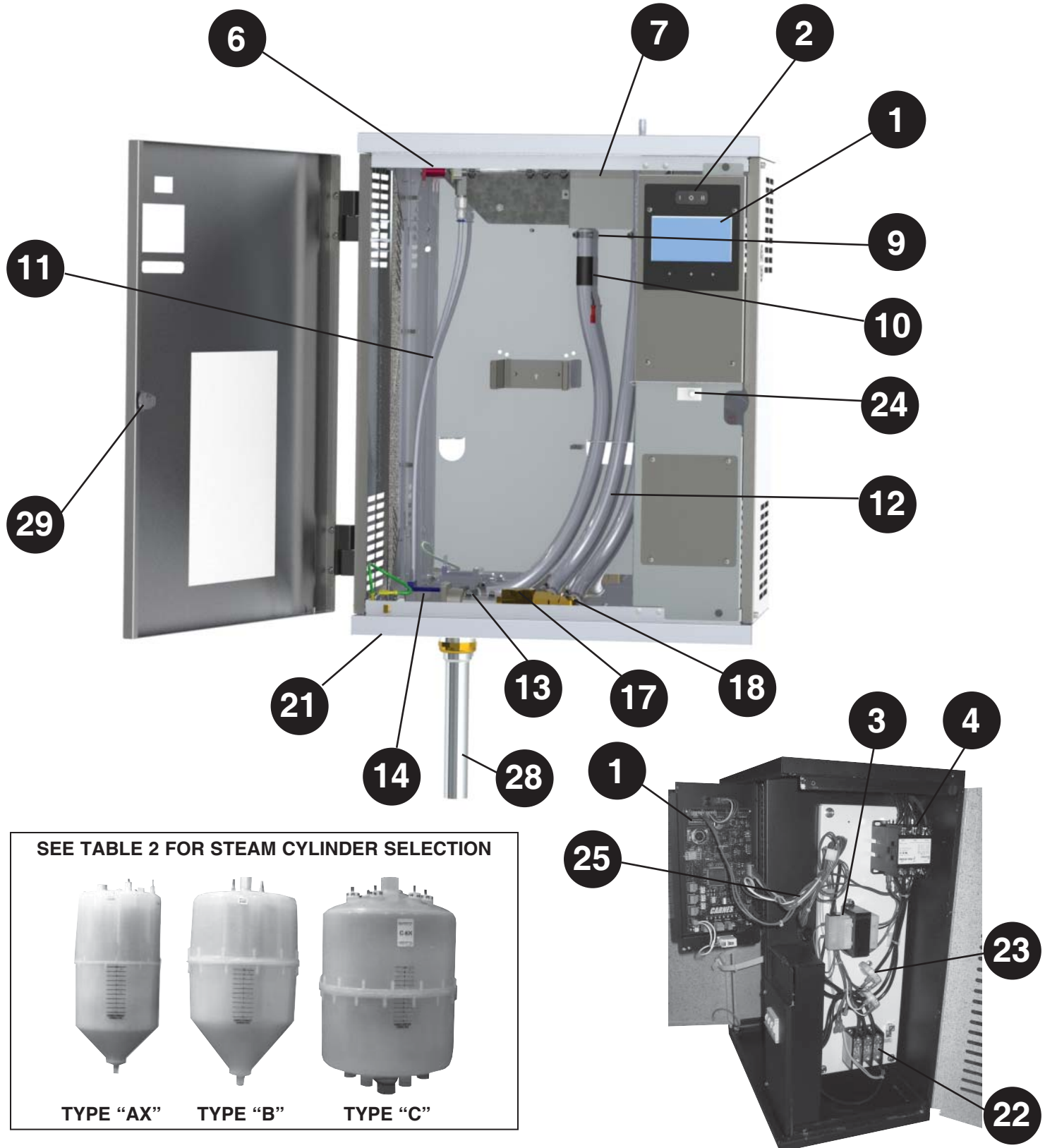


Table 1

Item #	Description	Models Where Used	Part #
1	CIRCUIT BOARD WITH TOUCHSCREEN DISPLAY	ALL	SEE TABLE 3
2	ON-OFF-DRAIN SWITCH	ALL	H-999-7331
3	POWER TRANSFORMER	ALL	SEE TABLE 2
4	CONTACTOR	ALL	SEE TABLE 2
5*	CIRCUIT BREAKER (optional)	HT MODELS ONLY	SEE TABLE 2
6	FILL SOLENOID VALVE WITH COIL AND STRAINER	ALL	H-999-7488
7	MOLDED FILL CUP	ALL	H-690-4138
8*	DOOR PIVOT RELEASE	ALL	H-999-9143
9	METAL HOSE CLAMP	ALL	H-999-7165
10	HIGH WATER SENSOR SUB-ASSEMBLY	ALL	H-690-1355
11	WATER FILL TUBE SUB-ASSEMBLY (Single Cylinder)	H_AH, H_DH, H_GH	H-690-1671
11	WATER FILL TUBE SUB-ASSEMBLY (Dual Cylinder)	H_HH	H-690-1672
12	CLEAR HOSE 5/8" ID	ALL	HXLA
13*	PLASTIC ELBOW 5/8" HOSE TO 5/8" HOSE	ALL	H-999-9690
14	DRAIN SOLENOID VALVE	H_GH	H-999-7448
14	DRAIN SOLENOID VALVE	H_HH	H-690-1091 R. H.
14	DRAIN SOLENOID VALVE	H_AH, H_DH, H_HH	H-690-1092 L. H.
17	"AX" CYLINDER FITTING	H_AH	H-998-5703
17	"B" CYLINDER FITTING	H_DH	H-998-5715
17	"C" CYLINDER FITTING	H_GH, H_HH	H-998-5716
18	BRASS ELBOW 3/8" NPT TO 5/8" HOSE BARB	ALL	H-999-3869
19*	PLASTIC "T" 5/8" HOSE TO 5/8" HOSE TO 5/8" HOSE	ALL	H-999-3863
20*	TERMINAL CONNECTOR WITH WIRE**	ALL	SEE TABLE 2
21	WATER INLET FITTING	ALL	H-999-4055
22	POWER DISTRIBUTION BLOCK	ALL	SEE TABLE 2
23	CURRENT SENSING TRANSFORMER	ALL	H-999-9429
24	DOOR INTERLOCK SWITCH	ALL	H-801-7801
25	LOW VOLTAGE WIRING HARNESS	H_AH, H_DH, H_GH (purchased after 9/1/15)	H-998-7024
25	LOW VOLTAGE WIRING HARNESS	H_AH, H_DH, H_GH (purchased prior to 9/1/15)	H-998-7025
25	LOW VOLTAGE WIRING HARNESS	H_HH	H-998-7029
26*	STRAIGHT BRASS FITTING 3/8" NPT WITH BARB	H_AH	H-999-4058
27*	PLASTIC "U" TUBE	H_AH, H_DH, H_GH	H-998-5699
27*	PLASTIC ELBOW	H_HH	H-998-5700
28*	DRAIN FITTING TUBE	ALL	H-999-6469
29	DOOR LOCK WITH KEY	ALL	H-999-9141
30*	FLEXIBLE CLEAR PLASTIC 5/8" ELBOW	ALL	H-999-9833
31*	FLEXIBLE CLEAR PLASTIC 5/8" "U" TUBE	ALL	H-999-9834

* = Not Shown

Table 2

Model	Max. Lb./Hr.	Ph.	Volts	Steam Cylinder	Power Transformer Item #3	Contactor Item #4	Terminal Connector with Wire* Item #20	Circuit Breaker Item #5	Power Distribution Block Item #22
H_AHA	5	1	120	AX220	998-9537	999-7389	690-3019	999-7406	999-8035
H_AHB	5	1	208	AX380	998-9537	999-7389	690-3019	999-7405	999-8035
H_AHD	5	1	230	AX380	998-9537	999-7389	690-3019	999-7406	999-8035
H_AHF	5	1	277	AX380	998-9535	999-7389	690-3019	999-7405	999-8035
H_AHL	5	1	380	AX600	998-9535	999-7389	690-3019	999-7405	999-8035
H_AHQ	5	1	415	AX600	998-9535	999-7389	690-3019	999-7405	999-8035

Table 2 — Continued

Model	Max. Lb./Hr.	Ph.	Volts	Steam Cylinder	Power Transformer Item #3	Contactor Item #4	Terminal Connector with Wire* Item #20	Circuit Breaker Item #5	Power Distribution Block Item #22
H_AHM	5	1	460	AX700	998-9537	999-7389	690-3019	999-7405	999-8035
H_AHN	5	1	575	AX700	998-9539	999-7389	690-3019	999-7412	999-8035
H_AHA	10	1	120	AX220	998-9537	999-7480	690-3019	999-7409	999-8035
H_AHB	10	1	208	AX380	998-9537	999-7389	690-3019	999-7407	999-8035
H_AHD	10	1	230	AX380	998-9537	999-7389	690-3019	999-7407	999-8035
H_AHF	10	1	277	AX380	998-9535	999-7389	690-3019	999-7406	999-8035
H_AHL	10	1	380	AX600	998-9535	999-7389	690-3019	999-7405	999-8035
H_AHQ	10	1	415	AX600	998-9535	999-7389	690-3019	999-7405	999-8035
H_AHM	10	1	460	AX700	998-9537	999-7389	690-3019	999-7405	999-8035
H_AHN	10	1	575	AX700	998-9539	999-7389	690-3019	999-7412	999-8035
H_DHB	20	1	208	B380	998-9537	999-7480	690-3019	999-7410	999-8035
H_DHD	20	1	230	B380	998-9537	999-7480	690-3019	999-7407	999-8035
H_DHF	20	1	277	B380	998-9535	999-7389	690-3019	999-7409	999-8035
H_DHL	20	1	380	B600	998-9535	999-7389	690-3019	999-7408	999-8035
H_DHQ	20	1	415	B600	998-9535	999-7389	690-3019	999-7407	999-8035
H_DHM	20	1	460	B700	998-9537	999-7389	690-3019	999-7406	999-8035
H_DHN	20	1	575	B700	998-9539	999-7389	690-3019	999-7412	999-8035
H_DHC	20	3	208	B500	998-9537	999-7389	690-3019	999-7407	999-8035
H_DHE	20	3	230	B500	998-9537	999-7389	690-3019	999-7407	999-8035
H_DHT	20	3	380	B600	998-9535	999-7389	690-3019	999-7405	999-8035
H_DHW	20	3	415	B600	998-9535	999-7389	690-3019	999-7405	999-8035
H_DHG	20	3	460	B700	998-9537	999-7389	690-3019	999-7405	999-8035
H_DHH	20	3	575	B700	998-9539	999-7389	690-3019	999-7412	999-8035
H_DHC	30	3	208	B500	998-9537	999-7480	690-3019	999-7409	999-8035
H_DHE	30	3	230	B500	998-9537	999-7389	690-3019	999-7409	999-8035
H_DHT	30	3	380	B600	998-9535	999-7389	690-3019	999-7407	999-8035
H_DHW	30	3	415	B600	998-9535	999-7389	690-3019	999-7406	999-8035
H_DHG	30	3	460	B700	998-9537	999-7389	690-3019	999-7406	999-8035
H_DHH	30	3	575	B700	998-9539	999-7389	690-3019	999-7412	999-8035
H_GHB*	30	1	208	C62	998-9537	999-7389 (2)	690-3019	999-7401	999-8035
H_GHD	30	1	230	C62	998-9537	999-7480	690-3046	999-7411	999-8035
H_GHF	30	1	277	C62	998-9535	999-7480	690-3046	999-7410	999-8035
H_GHL	30	1	380	C62	998-9535	999-7480	690-3046	999-7409	999-8035
H_GHQ	30	1	415	C62	998-9535	999-7389	690-3019	999-7409	999-8035
H_GHM	30	1	460	C62	998-9537	999-7389	690-3019	999-7408	999-8035
H_GHN	30	1	575	C62	998-9539	999-7389	690-3019	999-7414	999-8035
H_GHC	40	3	208	C62	998-9537	999-7480	690-3046	999-7411	999-8035
H_GHE	40	3	230	C62	998-9537	999-7480	690-3046	999-7410	999-8035
H_GHT	40	3	380	C65	998-9535	999-7389	690-3019	999-7408	999-8035
H_GHW	40	3	415	C65	998-9535	999-7389	690-3019	999-7408	999-8035
H_GHG	40	3	460	C65	998-9537	999-7389	690-3019	999-7407	999-8035
H_GHH	40	3	575	C65	998-9539	999-7389	690-3019	999-7413	999-8035
H_GHC	50	3	208	C62	998-9537	999-7389 (2)	690-3019	999-7409 (2)	999-8035
H_GHE	50	3	230	C62	998-9537	999-7480	690-3046	999-7401	999-8035
H_GHT	50	3	380	C65	998-9535	999-7480	690-3046	999-7409	999-8035
H_GHW	50	3	415	C65	998-9535	999-7389	690-3019	999-7409	999-8035
H_GHG	50	3	460	C65	998-9537	999-7389	690-3019	999-7408	999-8035
H_GHH	50	3	575	C65	998-9539	999-7389	690-3019	999-7414	999-8035
H_GHC*	60	3	208	C62	998-9537	999-7480 (2)	690-3046	999-7401 (2)	999-8035
H_GHE*	60	3	230	C62	998-9537	999-7389 (2)	690-3019	999-7401 (2)	999-8035
H_GHT	60	3	380	C65	998-9535	999-7480	690-3046	999-7410	999-8035
H_GHW	60	3	415	C65	998-9535	999-7480	690-3046	999-7409	999-8035
H_GHG	60	3	460	C65	998-9537	999-7389	690-3019	999-7409	999-8035

*H-690-3019 INCLUDES #10 WIRE. FOR RED CONNECTOR ONLY ORDER H-998-1256.
H-690-3046 INCLUDES #8 WIRE. BLACK CONNECTOR ONLY IS NOT AVAILABLE.

* = Circuit Breaker is REQUIRED per NEC 48 amp guidelines.

Table 2 — Continued

Model	Max. Lb/Hr	Ph.	Volts	Code	Steam Cylinder	Power Transformer Item #3	Contactor Item #4	Terminal Connector with Wire* Item #20	Circuit Breaker Item #5	Power Distribution Block Item #22
H_GHH	60	3	575	7060	C65	998-9539	999-7389	690-3019	999-7414	999-8035
H_GHC*	80	3	208	2080	C62	998-9537	999-7480 (2)	690-3046	999-7403 (2)	999-8035
H_GHE*	80	3	230	4080	C62	998-9537	999-7480 (2)	690-3046	999-7402 (2)	999-8035
H_GHT	80	3	380	3380	C12	998-9535	999-7480	690-3046	999-7411	999-8035
H_GHW	80	3	415	4380	C12	998-9535	999-7480	690-3046	999-7411	999-8035
H_GHG	80	3	460	6080	C12	998-9537	999-7480	690-3046	999-7410	999-8035
H_GHH	80	3	575	7080	C12	998-9539	999-7389	690-3019	999-7415	999-8035
H_GHC*	100	3	208	2100	C62	998-9537	999-7480 (2)	690-3046	999-7403 (2)	999-8035
H_GHE*	100	3	230	4100	C62	998-9537	999-7480 (2)	690-3046	999-7403 (2)	999-8035
H_GHT*	100	3	380	3300	C12	998-9535	999-7389 (2)	690-3046	Contact Factory	999-8035
H_GHW	100	3	415	4300	C12	998-9535	999-7389 (2)	690-3019	999-7409 (2)	999-8035
H_GHG	100	3	460	6100	C12	998-9537	999-7480	690-3046	999-7411	999-8035
H_GHH	100	3	575	7100	C12	998-9539	999-7480	690-3046	999-7416	999-8035
H_HHC*	125	3	208	2125	C62 (2)	998-9537	999-7480 (4)	690-3046	999-7401 (4)	999-8035
H_HHE*	125	3	230	4125	C62 (2)	998-9537	999-7480 (4)	690-3046	999-7401 (4)	999-9524
H_HHT*	125	3	380	3325	C12 (2)	998-9535	999-7480 (2)	690-3046	999-7402 (2)	999-8035
H_HHW*	125	3	415	4325	C12 (2)	998-9535	999-7480 (2)	690-3046	999-7402 (2)	999-8035
H_HHG*	125	3	460	6125	C12 (2)	998-9537	999-7480 (2)	690-3046	999-7401 (2)	999-8035
H_HHH	125	3	575	7125	C12 (2)	998-9539	999-7389 (2)	690-3019	999-7414 (2)	999-8035
H_HHC*	150	3	208	2150	C62 (2)	998-9537	999-7480 (4)	690-3046	999-7402 (4)	999-9524
H_HHE*	150	3	230	4150	C62 (2)	998-9538	999-7480 (4)	690-3046	999-7401 (4)	999-9524
H_HHT*	150	3	380	3315	C12 (2)	998-9535	999-7480 (2)	690-3046	999-7402 (2)	999-8035
H_HHW*	150	3	415	4315	C12 (2)	998-9535	999-7480 (2)	690-3046	999-7402 (2)	999-8035
H_HHG*	150	3	480	6150	C12 (2)	998-9537	999-7480 (2)	690-3046	999-7402 (2)	999-8035
H_HHH*	150	3	575	7150	C12 (2)	998-9539	999-7389 (2)	690-3019	999-7414 (2)	999-8035
H_HHC*	175	3	208	2175	C62 (2)	998-9537	999-7480 (4)	690-3046	999-7403 (4)	999-9524
H_HHE*	175	3	230	4175	C62 (2)	998-9537	999-7480 (4)	690-3046	999-7403 (4)	999-9524
H_HHT*	175	3	380	3317	C12 (2)	998-9535	999-7480 (4)	690-3046	Contact Factory	999-9524
H_HHW*	175	3	415	4317	C12 (2)	998-9535	999-7480 (2)	690-3046	999-7403 (2)	999-9524
H_HHG*	175	3	460	6175	C12 (2)	998-9537	999-7480 (2)	690-3046	999-7403 (2)	999-8035
H_HHH*	175	3	575	7175	C12 (2)	998-9539	999-7480 (2)	690-3046	999-7416 (2)	999-8035
H_HHC*	200	3	208	2200	C62 (2)	998-9537	999-7480 (4)	690-3046	999-7411 (4)	999-9524
H_HHE*	200	3	230	4200	C62 (2)	998-9537	999-7480 (4)	690-3046	999-7411 (4)	999-9524
H_HHT*	200	3	380	3321	C12 (2)	998-9535	999-7480 (4)	690-3046	Contact Factory	999-9524
H_HHW*	200	3	415	4321	C12 (2)	998-9535	999-7480 (4)	690-3046	Contact Factory	999-9524
H_HHG*	200	3	460	6200	C12 (2)	998-9537	999-7480 (2)	690-3046	999-7411 (2)	999-8035
H_HHH*	200	3	575	7200	C12 (2)	998-9539	999-7480 (2)	690-3046	999-7416 (2)	999-8035

* = Circuit Breaker is REQUIRED per NEC 48 amp guidelines.

CIRCUIT BOARD (Table 3)

