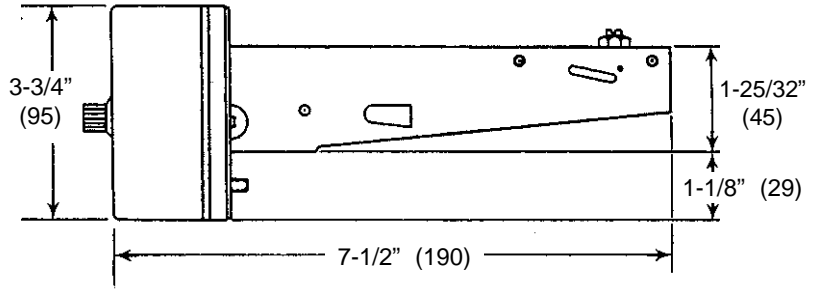


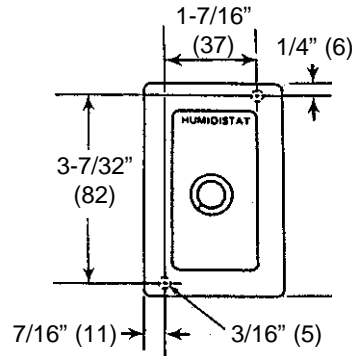
IP [English] Dimensions
SI (Metric) In Parentheses

CARNES COMPANY 448 S. Main St., P. O. Box 930040, Verona, WI 53593-0040 Phone: (608)845-6411 Fax: (608)845-6504 www.carnes.com

SPECIFICATIONS



This duct mounted humidistat mounts in the return air duct to provide control of the humidifier. The maximum temperature at the nylon element must not exceed 125°F. Scale range is 15%-50% R. H. Differential is 4%-6% non-adjustable. Humidistat is **U. L.** listed.



INSTALLATION

The control should be located in the duct where it will be affected by normal air flow. The control can be mounted in any position, but where possible locate it on the side of the duct to make the set point adjustment easily accessible.

Make all electrical connections in accordance with job wiring diagram in compliance with national and local electrical codes.

Avoid running control wiring near high voltage primary wires.

ON/OFF HUMIDISTAT WIRING FOR ROOM HUMIDITY CONTROL

