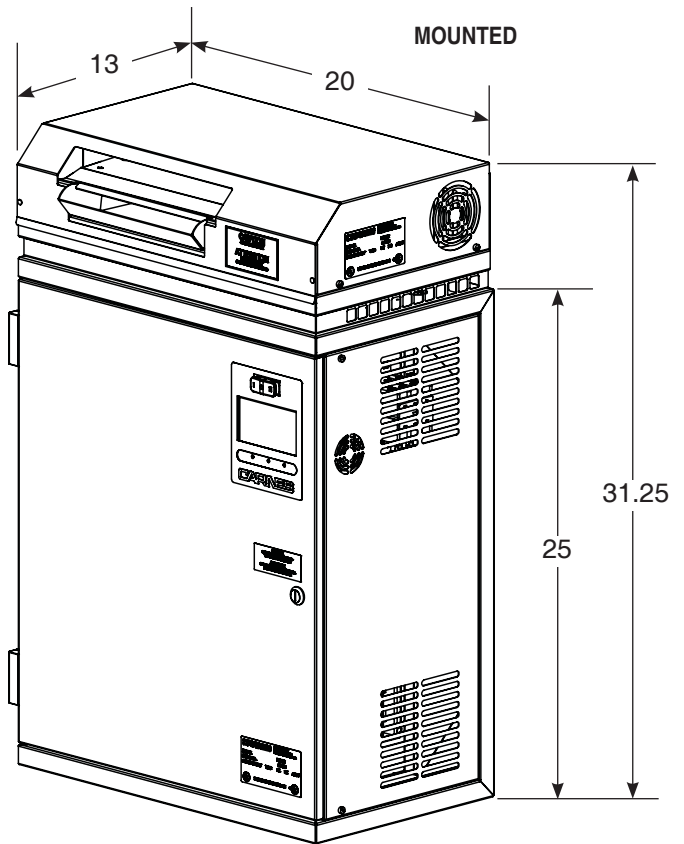
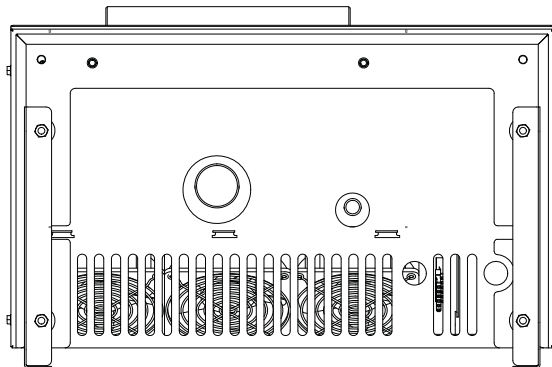
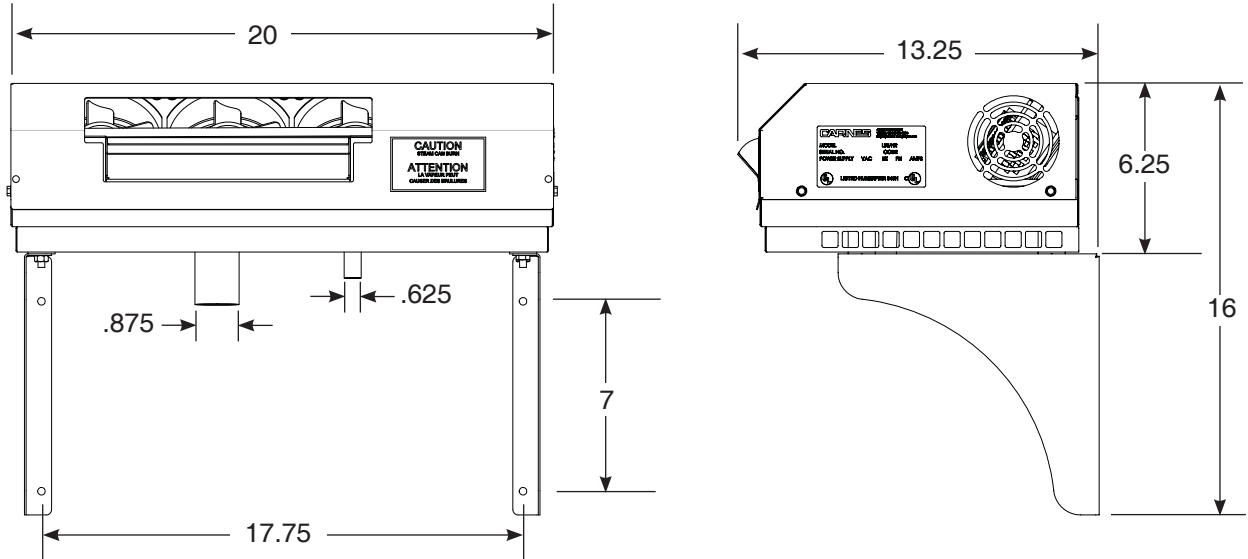


CARNES COMPANY 448 S. Main St., P. O. Box 930040, Verona, WI 53593-0040 Phone: (608)845-6411 Fax: (608)845-6504 www.carnes.com

REMOTE MOUNTED



FOR USE WITH HUMIDIFIER MODELS:

STANDARD MOUNTING: Factory Attached to Humidifier.

OPTION: Mounted Remote from Humidifier.

HRAB — Remote Mounted Only

HT/HS — 5-100 lbs./hr. Mounted and Remote Mounted

HT/HS — 125-200 lbs./hr. Remote Mounted Only

FAN VOLTAGE: 3 Fans Attached, 12 Volt from Humidifier.

OPTIONS AVAILABLE FOR REMOTE ONLY:

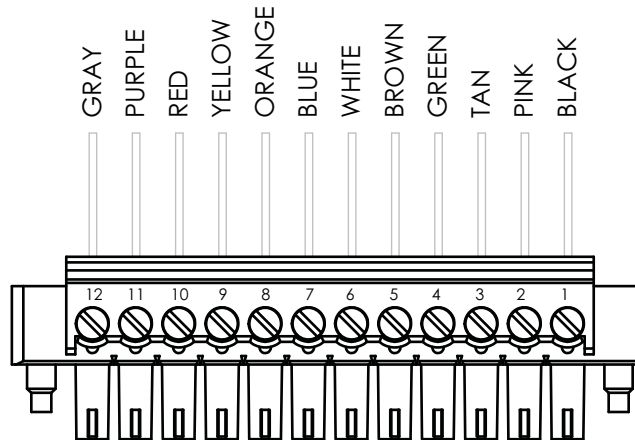
---- (B) — Small Steam Hose - 7/8"

---- (C) — Large Steam Hose - 1-5/8"

Remote Mounted 12 Pin Wiring Cable Comes in Standard Selectable Lengths of 5', 10', 20' and 40'

***NOTES:** On Fan Distribution Units Factory Mounted, Controls are Field Wired to Humidifier Unit Assembly. Remote Mounted Units Require Field Wiring Between Fan Distribution Unit, Humidifier and Control. (12 Pin Conductors (Wires) 22 AWG Internal Wires, Shielded Round Cable.)

WIRING DETAIL



FOR USE WITH ALL HUMIDIFIER MODELS:
REMOTE MOUNTED FAN DISTRIBUTION MODELS:
HXBHB_ and HXBHC_

Wire Description:

Wire, 22 AWG, 12 Wire Shielded Cable
UL AMW Style 2464 and/or 2567

SELECTABLE LENGTHS:

J — 5 feet (Model Number for ordering wire only: H690-5081)
K — 10 Feet (Model Number for ordering wire only: H690-5082)
L — 20 Feet (Model Number for ordering wire only: H690-5083)
M — 40 Feet (Model Number for ordering wire only: H690-5084)

WIRING INSTRUCTIONS:

1. Strip 1.75-2" from jacket of the wire cable (on open end only).
2. Strip 3/10 - 4/10" per wire on all 12 wires.
3. Install in connector in order shown (Wiring Detail Picture) and tighten screws.