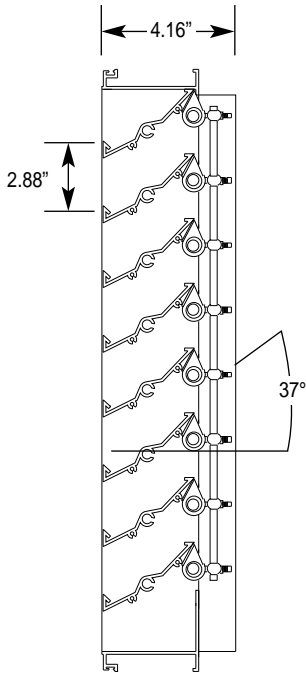


CARNES COMPANY, 448 S. Main St., P. O. Box 930040, Verona, WI 53593-0040 Phone: (608)845-6411 Fax: (608)845-6504 carnes@carnes.com



Section View

Model FPEB

Standard Specifications

Frame: .081 extruded aluminum, 4.16" deep

Blades: .081 extruded aluminum positioned on a 37° angle on approximately 2.88" centers

Linkage: in airstream

Finish: mill aluminum (std.)

Screen: 3/4" x .051" flattened aluminum in removable frame. Screen is mounted as standard on inside (rear) as looking from exterior of building.

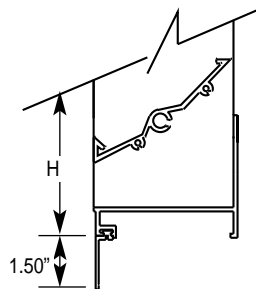
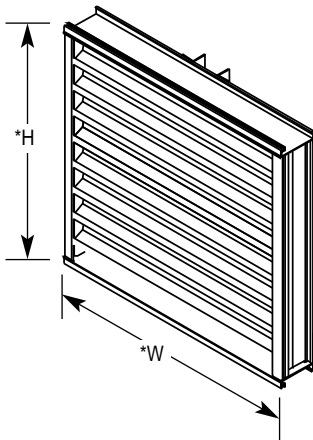
Maximum Panel Size: 60"w x 72"h single section. Multiple louvers can be bolted together up to 120"w x 84"h or 84"w x 120"h. Factory assembled multi-section max: 108"w x 48"h. Larger sizes are field assembled.

Minimum Panel Size: 12" x 12"

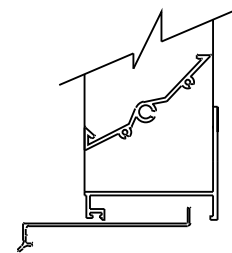
Options (at additional cost)

- Filter Racks
- Security Bars
- Special Shapes
- Variety of Screens
- Manual or Motor Operators
- Blade and Jamb Seals
- Selection of finishes; prime coat, kynar, baked enamel, clear and color anodize, epoxy and heresite

Consult Carnes for other special requirements.



Flanged Frame
Optional



Extended Sill
Optional

*Width and height dimensions are approximately 1/4" under listed size.

Tag	Qty.	Size		Frame	Variations
		Width	Height		

Project
Arch./Engr.
Representative

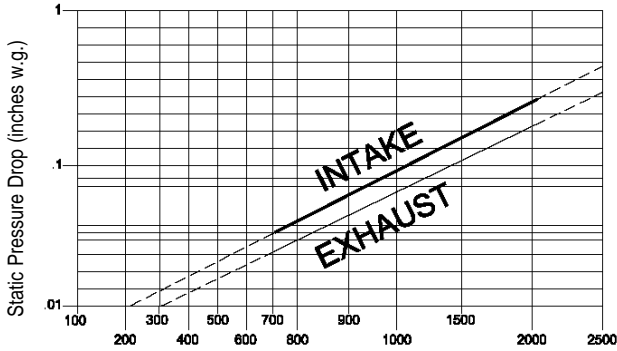
Location
Contractor
Date

Free Area in Square Feet

HEIGHT INCHES	WIDTH IN INCHES								
	12	18	24	30	36	42	48	54	60
12	0.27	0.44	0.6	0.77	0.94	1.1	1.28	1.45	1.61
18	0.47	0.77	1.05	1.35	1.64	1.94	2.24	2.52	2.82
24	0.68	1.11	1.53	1.96	2.38	2.81	3.23	3.66	4.08
30	0.84	1.37	1.89	2.41	2.94	3.47	3.99	4.51	5.04
36	1.03	1.67	2.32	2.96	3.6	4.24	4.89	5.53	6.17
42	1.25	2.02	2.81	3.59	4.36	5.14	5.92	6.62	7.47
48	1.44	2.34	3.23	4.13	5.02	5.92	6.81	7.71	8.61
54	1.63	2.65	3.67	4.69	5.71	6.73	7.74	8.76	9.78
60	1.84	2.98	4.12	5.26	6.4	7.55	8.69	9.83	10.97
66	2.03	3.29	4.56	5.83	7.1	8.37	9.63	10.9	12.16
72	2.24	3.62	5.02	6.41	7.8	9.19	10.58	11.98	13.37
78	2.42	3.94	5.44	6.95	8.46	9.97	11.48	12.99	14.5
84	2.64	4.59	5.93	7.57	9.22	10.86	12.51	14.17	15.82
90	2.84	4.61	6.38	8.14	9.91	11.69	13.45	15.22	16.97
96	3.04	4.95	6.84	8.75	10.65	12.31	14.44	16.34	18.24

Beginning point of WATER PENETRATION is 1119 fpm
the maximum recommended FREE AREA VELOCITY

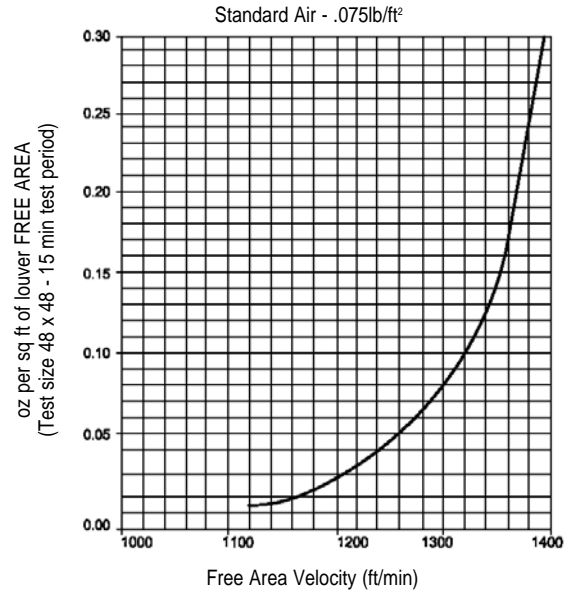
Pressure Drop



FREE AREA VELOCITY (FT/MIN)

Standard air - .075 lbs per cu ft
Ratings do not include the effects of a wire bird screen
Test based on a 48" x 48" test size, 15 min test duration

Water Penetration



The Carnes Company certifies that the model FPEB/FTEB louver shown herein is licensed to bear the AMCA Seal. The ratings shown are based on tests and procedures performed in accordance with AMCA Publication 511 and comply with the requirements of the AMCA Certified Ratings Program. The AMCA Certified Ratings Seal applies to air performance ratings and water penetration ratings.