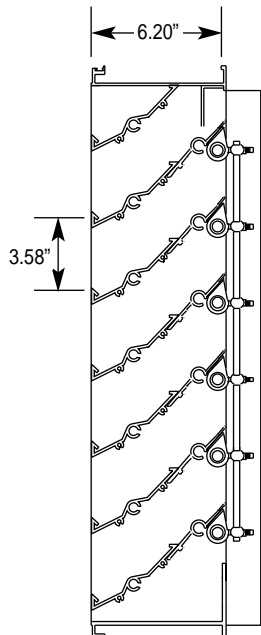
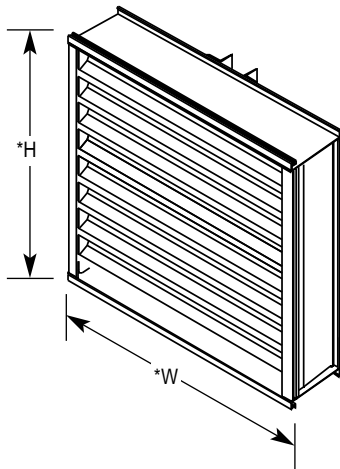


CARNES COMPANY, 448 S. Main St., P. O. Box 930040, Verona, WI 53593-0040 Phone: (608)845-6411 Fax: (608)845-6504 carnes@carnes.com



Section View



*Width and height dimensions are approximately 1/4" under listed size.

Model FPGB

Standard Specifications

Frame: .125 extruded aluminum, 6.20" deep

Adjustable Blade: .125 extruded aluminum

Fixed Blade: .081 extruded aluminum positioned on a 37° angle on approximately 3.58" centers

Linkage: exposed

Finish: mill aluminum (std.)

Screen: 3/4" x .051" flattened aluminum in removable frame. Screen is mounted on inside (rear) as looking from exterior of building.

Maximum Panel Size: 48"w x 96"h single section. Factory assembled multi-section max: 108"w x 48"h. Larger sizes are field assembled.

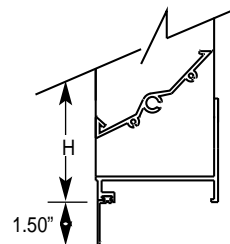
Minimum Panel Size: 12" x 12"

Note: Drainable blade louvers should be limited to 10' maximum section widths (no more than 10' between vertical downspouts) to enable the drainable design to function effectively.

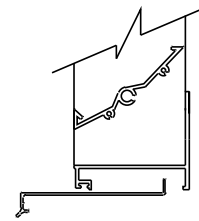
Options (at additional cost)

- Filter Racks
- Security Bars
- Special Shapes
- Variety of Screens
- Manual or Motor Operators
- Blade and Jamb Seals
- Selection of finishes; prime coat, kynar, baked enamel, clear and color anodize, epoxy and heresite

Consult Carnes for other special requirements.



Flanged Frame
Optional



Extended Sill
Optional

Tag	Qty.	Size		Frame	Variations
		Width	Height		

Project
Arch./Engr.
Representative

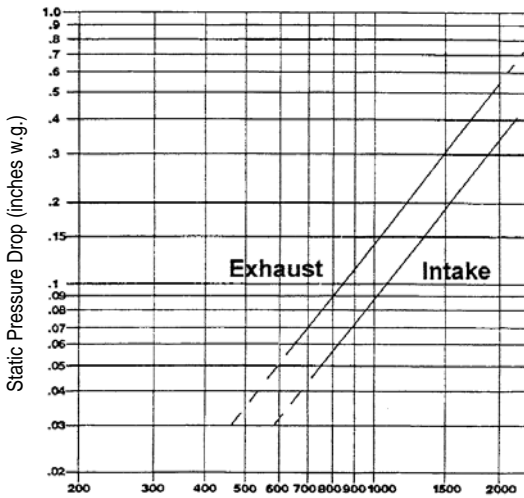
Location
Contractor
Date

Free Area in Square Feet

HEIGHT INCHES	WIDTH IN INCHES																		
	12	18	24	30	36	42	48	54	60	66	72	78	84	90	96	102	108	114	120
12	0.19	0.3	0.42	0.54	0.65	0.77	0.89	1.01	1.12	1.24	1.36	1.47	1.59	1.71	1.82	1.94	2.06	2.18	2.29
18	0.41	0.67	0.93	1.19	1.45	1.72	1.98	2.24	2.5	2.76	3.02	3.28	3.54	3.8	4.06	4.32	4.58	4.84	5.1
24	0.68	1.11	1.54	1.97	2.4	2.83	3.26	3.69	4.12	4.55	4.98	5.41	5.84	6.27	6.7	7.13	7.56	7.99	8.42
30	0.88	1.43	1.99	2.54	3.09	3.65	4.2	4.75	5.31	5.86	6.41	6.97	7.52	8.07	8.63	9.18	9.73	10.29	10.84
36	1.09	1.78	2.46	3.15	3.83	4.52	5.21	5.89	6.58	7.26	7.95	8.63	9.32	10.01	10.69	11.38	12.06	12.75	13.43
42	1.36	2.22	3.08	3.93	4.79	5.65	6.5	7.36	8.22	9.07	9.93	10.79	11.64	12.5	13.36	14.21	15.07	15.93	16.78
48	1.56	2.54	3.52	4.5	5.48	6.46	7.44	8.42	9.4	10.38	11.35	12.33	13.31	14.29	15.27	16.25	17.23	18.21	19.19
54	1.75	2.86	3.96	5.06	6.17	7.27	8.37	9.47	10.58	11.68	12.78	13.89	14.99	16.09	17.19	18.3	19.4	20.5	21.61
60	2.04	3.33	4.61	5.89	7.18	8.46	9.74	11.02	12.31	13.59	14.87	16.16	17.44	18.72	20.01	21.29	22.57	23.86	25.14
66	2.24	3.64	5.05	6.45	7.86	9.27	10.67	12.08	13.48	14.89	16.3	17.7	19.11	20.51	21.92	23.32	24.73	26.14	27.54
72	2.39	3.9	5.4	6.9	8.41	9.91	11.42	12.92	14.42	15.93	17.43	18.93	20.44	21.94	23.45	24.95	26.45	27.96	29.46
78	2.72	4.43	6.14	7.85	9.56	11.27	12.98	14.69	16.4	18.11	19.82	21.53	23.24	24.95	26.65	28.36	30.07	31.78	33.49
84	2.91	4.74	6.57	8.4	10.23	12.06	13.9	15.73	17.56	19.39	21.22	23.05	24.88	26.71	28.54	30.37	32.2	34.03	35.86
90	3.12	5.08	7.04	9	10.97	12.93	14.89	16.85	18.81	20.77	22.73	24.69	26.66	28.62	30.58	32.54	34.5	36.46	38.42
96	3.4	5.54	7.67	9.81	11.95	14.08	16.22	18.36	20.49	22.63	24.77	26.9	29.04	31.18	33.31	35.45	37.59	39.72	41.86
102	3.59	5.85	8.11	10.36	12.62	14.88	17.13	19.39	21.65	23.91	26.16	28.42	30.68	32.93	35.19	37.45	39.71	41.96	44.22
108	3.8	6.18	8.57	10.96	13.34	15.73	18.12	20.5	22.89	25.28	27.66	30.05	32.44	34.82	37.21	39.6	41.98	44.37	46.76
114	4.08	6.64	9.21	11.77	14.33	16.9	19.46	22.02	24.58	27.15	29.71	32.27	34.84	37.4	39.96	42.53	45.09	47.65	50.22
120	4.27	6.95	9.64	12.32	15.01	17.69	20.37	23.06	25.74	28.42	31.11	33.79	36.48	39.16	41.84	44.53	47.21	49.89	52.58

Beginning point of WATER PENETRATION is 1158 fpm
 free area velocity at .01 oz. of water penetration

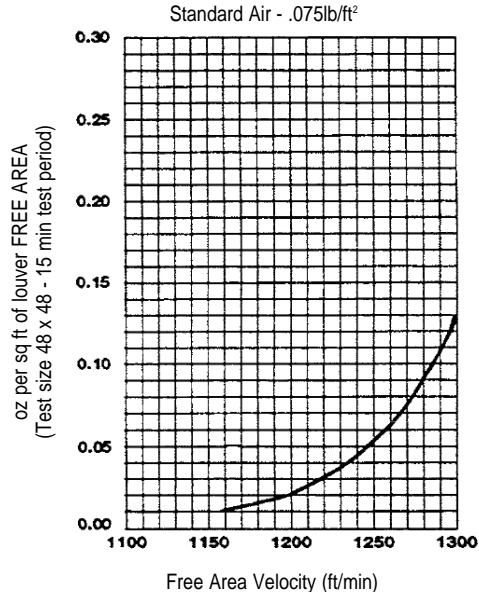
Pressure Drop



FREE AREA VELOCITY (FT/MIN)

Standard air - .075 lbs per cu ft
 Ratings do not include the effects of a wire bird screen
 Test based on a 48" x 48" test size, 15 min test duration

Water Penetration



The Carnes Company certifies that the model FPGB/FTGB louver shown herein is licensed to bear the AMCA Seal. The ratings shown are based on tests and procedures performed in accordance with AMCA Publication 511 and comply with the requirements of the AMCA Certified Ratings Program. The AMCA Certified Ratings Seal applies to air performance ratings and water penetration ratings.