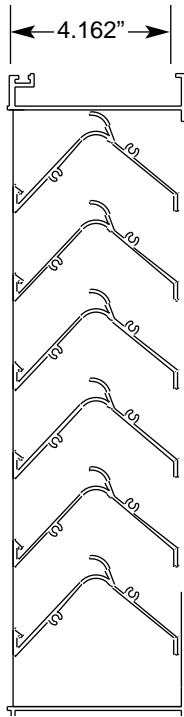
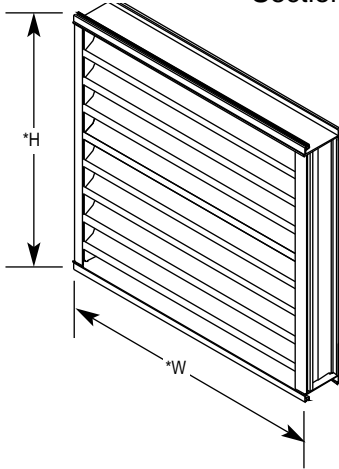


CARNES COMPANY 448 S. Main St., P. O. Box 930040, Verona, WI 53593-0040 Phone: (608)845-6411 Fax: (608)845-6504 www.carnes.com



Section View



\*Width and height dimensions are approximately 1/4" under listed size.

#### Model FYYB Standard Specifications

**Frame:** .081 extruded aluminum 4" deep

**Blades:** .081 extruded aluminum on approximately 2" centers

**Screen:** 3/4" x .051 flattened aluminum in removable frame.

Screen is mounted as standard on inside (rear) as looking from exterior of building.

**Finish:** mill aluminum (standard)

**Maximum Panel Size:** 120"w x 84"h or 84"w x 120"h

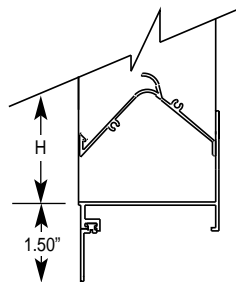
**Minimum Panel Size:** 12" x 12"

**Note:** Drainable blade louvers should be limited to 10' maximum section widths (no more than 10' between vertical downspouts) to enable the drainable design to function effectively.

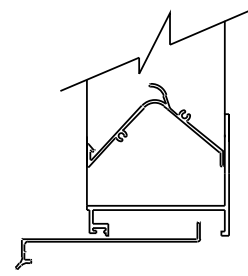
#### Options (at additional cost)

- Filter Racks
- Security Bars
- Special Shapes
- Variety of Screens
- Sub-Frames
- Selection of finishes; prime coat, kynar, baked enamel, clear and color anodize, epoxy and heresite.

Consult Carnes for other special requirements.



Flanged Frame  
Optional



Extended Sill  
Optional

Tag	Qty.	Size		Frame	Variations
		Width	Height		

**Project**  
**Arch./Engr.**  
**Representative**

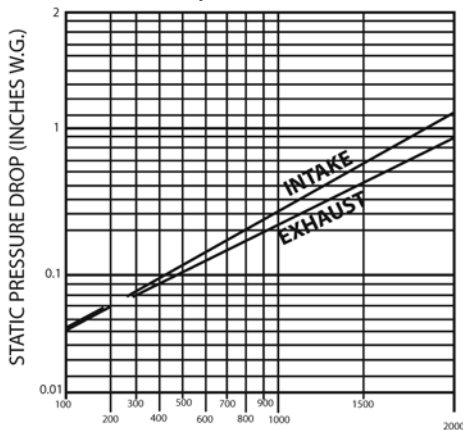
**Location**  
**Contractor**  
**Date**

## FYYB Specifications

Furnish and install louver as hereinafter specified where shown on plans or as described in schedules. Louver shall be stationary type with horizontal rain resistant style blades positioned on approximately 2" centers within 4.162" deep frame. Louver frame and blade materials to be .081" thick 6063-T5 extruded aluminum. Sections up to maximum of 60"w x 96"h shall withstand wind loading of 30lbs/sq.ft. (110 mph wind equivalent). Consult factory for welded construction and higher wind speeds.

Louver shall meet the performance requirements established by the AMCA 500L test procedure and shall be licensed to bear the AMCA certified ratings seal for water penetration, air performance, and wind driven rain. Louver shall have a maximum static pressure drop of .23" (exhaust) and .31" (intake) water gage based on 1000 FPM free area intake velocity. Louver shall carry a Class C water penetration classification based on a ventilation core of 573 FPM at a rainfall rate of 3" per hour and a 29 mph simulated wind velocity. Louver shall carry a class D water penetration classification based on a ventilation core of 294 FPM at a rainfall rate of 8" per hour and a 50mph simulated wind velocity.

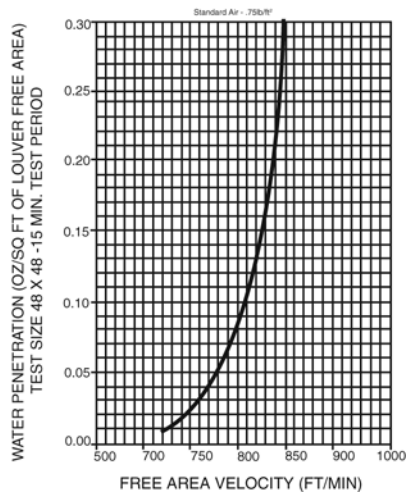
## Pressure Drop



## FREE AREA VELOCITY (ft/min)

Based on standard air -.075 lbs per cu ft  
Ratings do not include the effects of screen  
Tested on a 48" x 48"

## Water Penetration



Beginning point of WATER PENETRATION is 722 fpm free area velocity at .01 oz. of water penetration

75 mm/h (3 in/h) Rainfall & 13 m/s (29 mph) Wind Velocity		
Ventilation Air Core Velocity m/s (fpm)	Water Penetration Effectiveness %	*Water Penetration Classification
0.0 (0)	90.7	C
0.48 (95)	90.1	C
0.99 (195)	86.7	C
1.47 (289)	85.7	C
1.92 (378)	82.0	C
2.47 (486)	79.5	C
2.91 (573)	76.1	C
3.39 (669)	70.2	D

\* AMCA Classes for maximum allowable water penetrations

75 mm/h (3 in/h) Rainfall & 13 m/s (50 mph) Wind Velocity		
Ventilation Air Core Velocity m/s (fpm)	Water Penetration Effectiveness %	*Water Penetration Classification
0.0 (0)	83.3	C
0.54 (106)	79.7	C
1.08 (214)	76.7	C
1.49 (294)	74.9	D
1.96 (386)	72.8	D
2.39 (470)	71.0	D
2.91 (573)	65.9	D
3.44 (678)	58.7	D

\* AMCA Classes for maximum allowable water penetrations

Wind Driven Rain Penetration Classes	
Class	Effectiveness
A	1 to 0.99
B	0.989 to 0.95
C	0.949 to 0.80
D	Below 0.8

* Discharge Loss Intake	
Wind Velocity (mph)	Class
29	4
50	4

\* Discharge loss coefficient is the theoretical air flow of an opening divided by the actual flow rate of a louver the same size.

Class	Discharge Loss Coefficient
1	0.4 and above
2	0.3 to 0.399
3	0.2 to 0.299
4	.199 and below

(the higher the coefficient, the less resistance to airflow)

## Wind Driven Rain Performance AMCA 500-L

Test Size 1m x 1m (39" x 39") core  
41-1/2"w x 41"h Nominal (1.05m x 1.04m)



The Carnes Company certifies that the model FYYB/FZYB louver shown herein is licensed to bear the AMCA Seal. The ratings shown are based on tests and procedures performed in accordance with

AMCA Publication 511 and comply with the requirements of the AMCA Certified Ratings Program. The AMCA Certified Ratings Seal applies to air performance ratings and water penetration ratings.

## Free Area in Square Feet

HEIGHT INCHES	WIDTH IN INCHES																		
	12	18	24	30	36	42	48	54	60	66	72	78	84	90	96	102	108	114	120
12	0.18	0.29	0.4	0.51	0.62	0.73	0.84	0.95	1.05	1.16	1.27	1.38	1.49	1.6	1.71	1.82	1.93	2.04	2.15
18	0.44	0.7	0.96	1.23	1.49	1.76	2.02	2.29	2.55	2.82	3.08	3.35	3.61	3.88	4.14	4.41	4.67	4.93	5.2
24	0.63	1.01	1.39	1.77	2.15	2.53	2.91	3.29	3.67	4.05	4.43	4.81	5.19	5.57	5.95	6.33	6.71	7.09	7.47
30	0.89	1.43	1.97	2.52	3.06	3.6	4.14	4.68	5.22	5.77	6.31	6.85	7.39	7.93	8.47	9.02	9.56	10.1	10.64
36	1.1	1.76	2.43	3.09	3.76	4.43	5.09	5.76	6.43	7.09	7.76	8.42	9.09	9.76	10.42	11.09	11.75	12.42	13.09
42	1.26	2.03	2.79	3.56	4.32	5.09	5.85	6.62	7.39	8.15	8.92	9.68	10.45	11.21	11.98	12.74	13.51	14.28	15.04
48	1.36	2.19	3.02	3.84	4.67	5.5	6.32	7.15	7.98	8.81	9.63	10.46	11.29	12.11	12.94	13.77	14.59	15.42	16.25
54	1.56	2.5	3.45	4.4	5.34	6.29	7.23	8.18	9.13	10.07	11.02	11.96	12.91	13.86	14.8	15.75	16.69	17.64	18.59
60	1.82	2.93	4.03	5.14	6.24	7.35	8.46	9.56	10.67	11.77	12.88	13.99	15.09	16.2	17.3	18.41	19.52	20.62	21.73
66	2.01	3.23	4.45	5.67	6.89	8.12	9.34	10.56	11.78	13	14.22	15.44	16.66	17.88	19.11	20.33	21.55	22.77	23.99
72	2.13	3.42	4.72	6.01	7.3	8.6	9.89	11.18	12.48	13.77	15.06	16.36	17.65	18.94	20.24	21.53	22.82	24.12	25.41
78	2.27	3.65	5.04	6.42	7.8	9.18	10.56	11.94	13.32	14.7	16.08	17.47	18.85	20.23	21.61	22.99	24.37	25.75	27.13
84	2.41	3.87	5.33	6.8	8.26	9.72	11.18	12.65	14.11	15.57	17.03	18.5	19.96	21.42	22.88	24.35	25.81	27.27	28.74
90	2.54	4.09	5.63	7.18	8.72	10.27	11.81	13.36	14.9	16.45	17.99	19.54	21.08	22.62	24.17	25.71	27.26	28.8	30.35
96	2.73	4.38	6.04	7.7	9.35	11.01	12.67	14.32	15.98	17.63	19.29	20.95	22.6	24.26	25.92	27.57	29.23	30.89	32.54
102	2.87	4.61	6.36	8.1	9.85	11.59	13.33	15.08	16.82	18.57	20.31	22.05	23.8	25.54	27.29	29.03	30.77	32.52	34.26
108	2.98	4.8	6.61	8.42	10.24	12.05	13.86	15.68	17.49	19.3	21.12	22.93	24.74	26.55	28.37	30.18	31.99	33.81	35.62
114	3.09	4.97	6.84	8.72	10.6	12.48	14.35	16.23	18.11	19.99	21.86	23.74	25.62	27.5	29.37	31.25	33.13	35.01	36.88
120	3.22	5.18	7.13	9.09	11.05	13	14.96	16.92	18.87	20.83	22.78	24.74	26.7	28.65	30.61	32.57	34.52	36.48	38.44