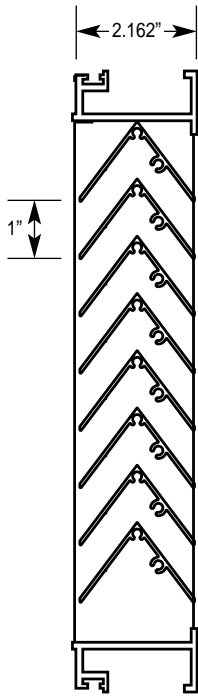


CARNES COMPANY 448 S. Main St., P. O. Box 930040, Verona, WI 53593-0040 Phone: (608)845-6411 Fax: (608)845-6504 www.carnes.com



Section View

Model FYKB Standard Specifications

Frame: .060 extruded aluminum 2.162" deep

Blades: V shaped .060" extruded aluminum on approximately 1" centers

Screen: 3/4" x .051 flattened aluminum in removable frame. Screen is mounted as standard on inside (rear) as looking from exterior of building.

Finish: mill aluminum (standard)

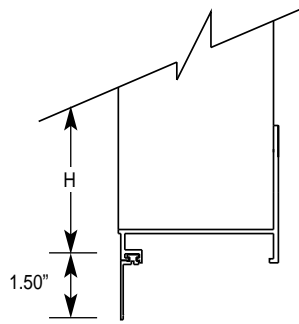
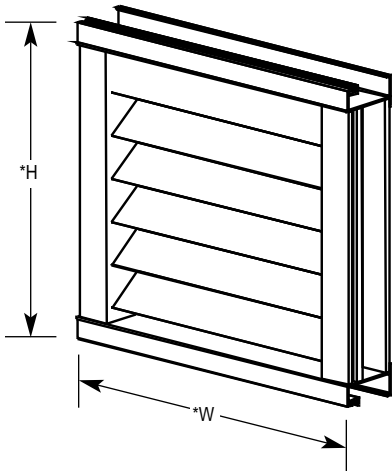
Maximum Panel Size: 120"w x 84"h or 84"w x 120"h

Minimum Panel Size: 12" x 12"

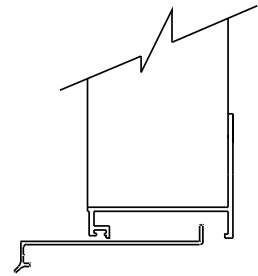
Options (at additional cost)

- Filter Racks
- Security Bars
- Special Shapes
- Variety of Screens
- Sub-Frames
- Selection of finishes; prime coat, kynar, baked enamel, clear and color anodize, epoxy and heresite.

Consult Carnes for other special requirements.



Flanged Frame
Optional



Extended Sill
Optional

*Width and height dimensions are approximately 1/4" under listed size.

Tag	Qty.	Size		Frame	Variations
		Width	Height		

Project
Arch./Engr.
Representative

Location
Contractor
Date