

The model FAHA was developed in response to automation controls companies need for a damper with the flexibility to mount various manufacturers actuators and controls.

Diameter	Length	Body & Blade
4 - 10"	8"	24 ga.
12 - 18"	8"	20 ga.
20 - 30"	8"	20 ga.
32 - 46"	8"	18 ga.

**Shaft:**

1/2" round solid aluminum (thru 30")  
3/4" round solid steel (32" thru 46")

**Bearing:**

Bronze oilite (175°F)

**Blade Seals:**

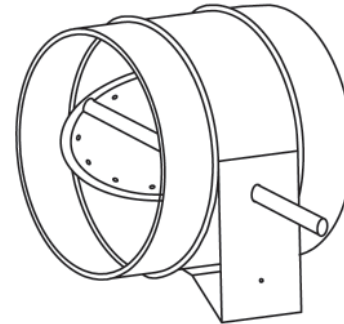
Crosslinked closed cell (200°F)

**Mounting Plate:**

20 ga. galvanized steel

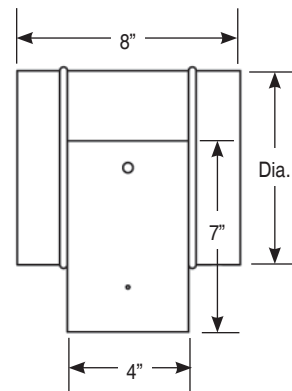
**Options**

- Stainless Steel Body, Blade, Shaft and Quadrant
- Silicone Blade Seal (400°F)
- All Aluminum Construction with Steel Plated Quadrant
- Extended Quadrant 2"
- Factory Furnished and Mounted Actuator
- Motor and/or Control Enclosure
- Stainless Steel Bearings (700°F)
- Silica Seals (800°F)



**MODEL FAHA**

Approx. 1/8" O.D. Undersized



Maximum Velocity		Max. Pressure Differential
Diameter	FPM	
4 - 8"	2600	6"
10 - 12"	2400	5"
14 - 18"	2300	4"
20 - 24"	2300	3"
26 - 30"	2200	2-1/2"
32 - 46"	2000	1-3/4"

Tag	Qty.	Diameter	Variations

**Project**  
**Arch./Engr.**  
**Representative**

**Location**  
**Contractor**  
**Date**