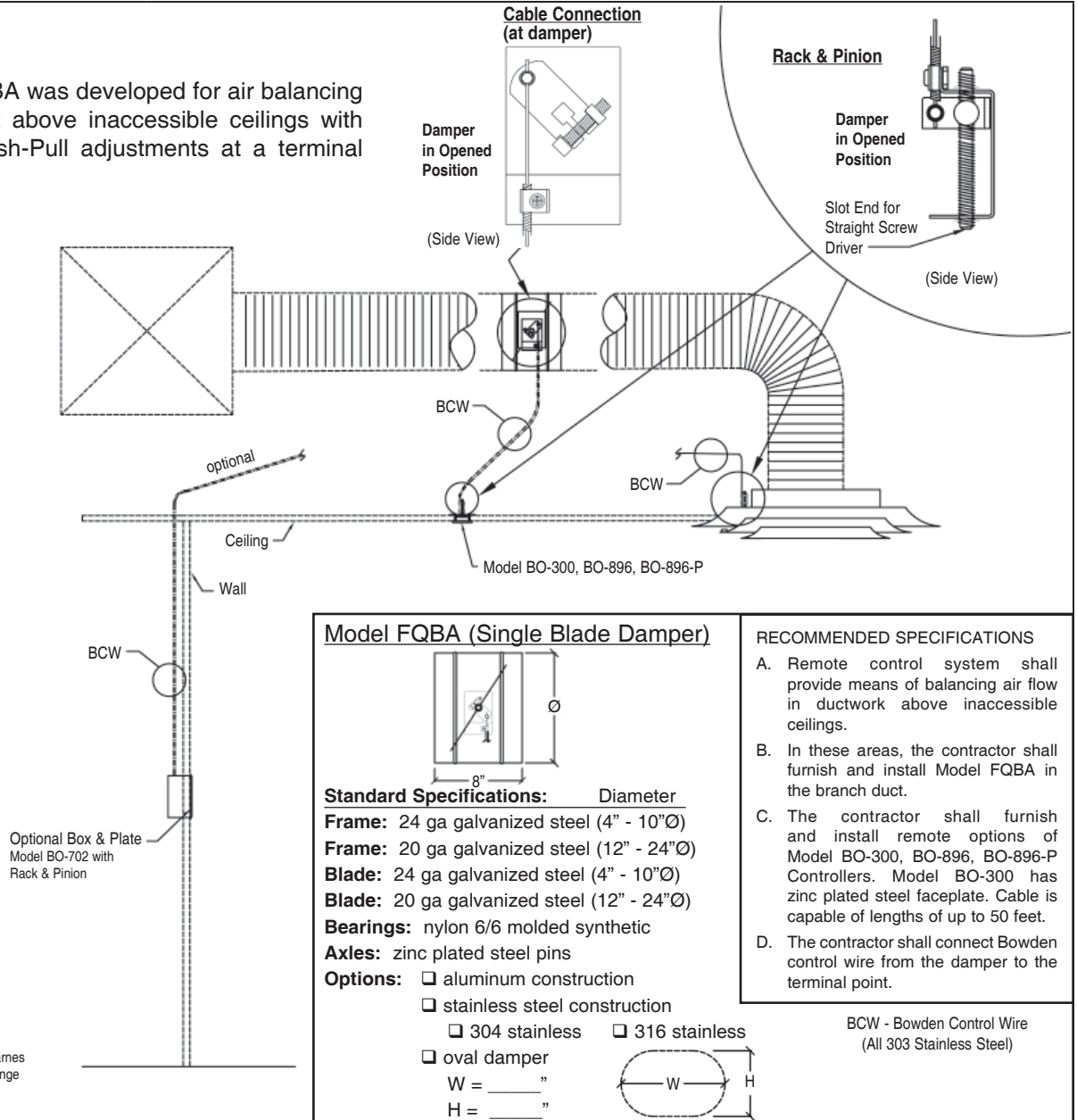


CARNES COMPANY, 448 S. Main St., P. O. Box 930040, Verona, WI 53593-0040 Phone: (608)845-6411 Fax: (608)845-6504 carnes@carnes.com

#### Model FQBA

The Model FQBA was developed for air balancing at the mid/duct above inaccessible ceilings with Mechanical Push-Pull adjustments at a terminal controller.



Due to continuing research, the Carnes Company reserves the right to change specifications without notice.

| Tag | Qty. | Diameter | Frame | Variations |
|-----|------|----------|-------|------------|
|     |      |          |       |            |
|     |      |          |       |            |
|     |      |          |       |            |
|     |      |          |       |            |
|     |      |          |       |            |

**Project**  
**Arch./Engr.**  
**Representative**

**Location**  
**Contractor**  
**Date**