

## Galvanized Steel 4" Deep Louver Adjustable J Style Blade

Model: FFPC Channel Frame, FJPC Flanged Frame

### Model FFPC

#### ▼ Standard Specifications

**Frame:** 18 gauge galvanized steel, 4" deep

**Blades:** J style, 18 gauge galvanized steel, positioned at 45° angles on approximately 4" centers

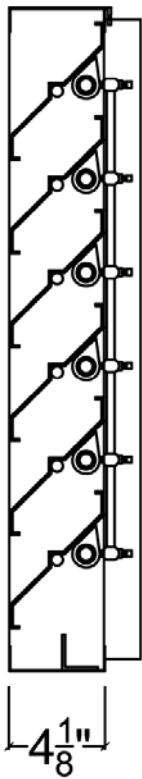
**Finish:** mill galvanized

**Screen:** 1/2" x .050" expanded flattened aluminum in removable frame. Screen is mounted on inside (rear) as looking from exterior of building.

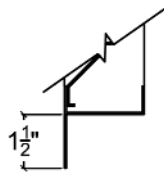
**Maximum Panel Size:** 48"w x 72"h

Larger sizes made in multiple sections

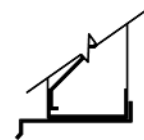
**Minimum Panel Size:** 8"w x 10"h



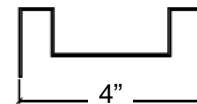
Section View



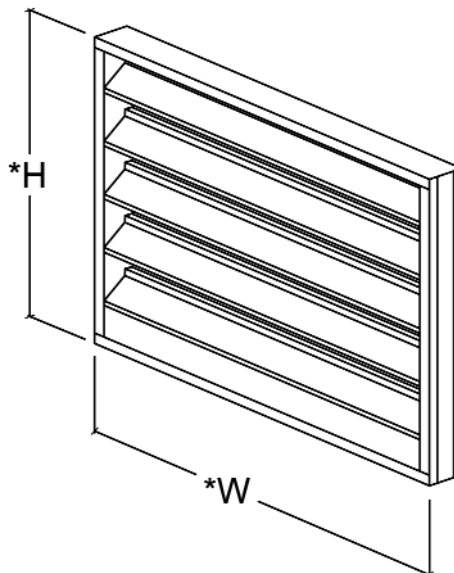
Flanged Frame  
Optional



Extended Sill  
Optional



Typical  
Jamb



\*Width and height dimensions are approximately 1/4" under listed size.

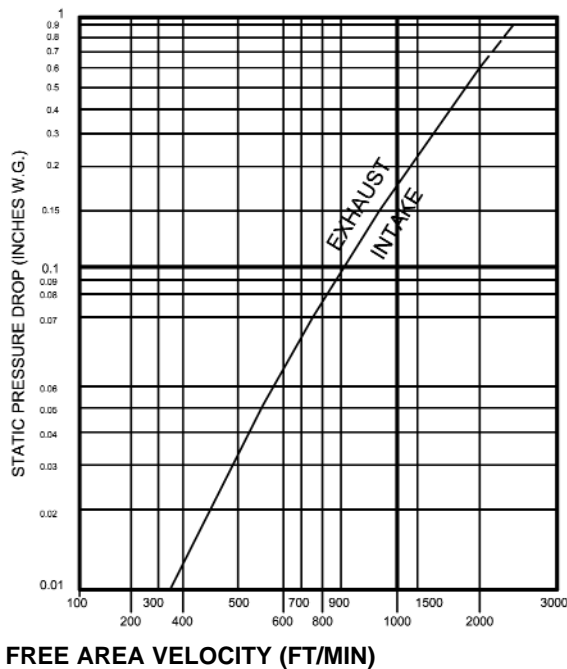
## Model FFPC and FJPC

Free Area in Square Feet

HEIGHT INCHES	WIDTH IN INCHES									
	8	12	18	24	30	36	42	48	54	60
10	0.07	0.11	0.19	0.26	0.34	0.41	0.49	0.56	0.64	0.71
12	0.13	0.23	0.38	0.53	0.68	0.83	0.98	1.13	1.28	1.43
18	0.23	0.41	0.67	0.93	1.20	1.46	1.73	1.99	2.25	2.52
24	0.38	0.67	1.10	1.54	1.97	2.40	2.84	3.27	3.70	4.14
30	0.48	0.84	1.39	1.94	2.49	3.04	3.58	4.13	4.68	5.23
36	0.63	1.11	1.82	2.54	3.26	3.98	4.69	5.41	6.13	6.85
42	0.73	1.28	2.11	2.95	3.78	4.61	5.44	6.27	7.11	7.94
48	0.88	1.54	2.55	3.55	4.55	5.55	6.55	7.55	8.56	9.56
54	0.98	1.72	2.84	3.95	5.07	6.18	7.30	8.42	9.53	10.65
60	1.12	1.98	3.27	4.55	5.84	7.12	8.41	9.70	10.98	12.27
66	1.22	2.16	3.56	4.96	6.36	7.76	9.16	10.56	11.96	13.36
72	1.37	2.42	3.99	5.56	7.13	8.70	10.27	11.84	13.41	14.98
78	1.47	2.60	4.28	5.96	7.65	9.33	11.02	12.70	14.38	16.07
84	1.62	2.86	4.71	6.57	8.42	10.27	12.13	13.98	15.83	17.69
90	1.72	3.03	5.00	6.97	8.94	10.91	12.87	14.84	16.81	18.78
96	1.87	3.30	5.43	7.57	9.71	11.85	13.98	16.12	18.26	20.40

Beginning point of WATER PENETRATION is 840 fpm  
free area velocity at .01 oz. of water penetration

### Pressure Drop



**FREE AREA VELOCITY (FT/MIN)**

Standard air - .075 lbs per cu ft  
Ratings do not include the effect of a wire birdscreen  
Test based on a 48" x 48" test size, 15 min test duration

### Water Penetration

