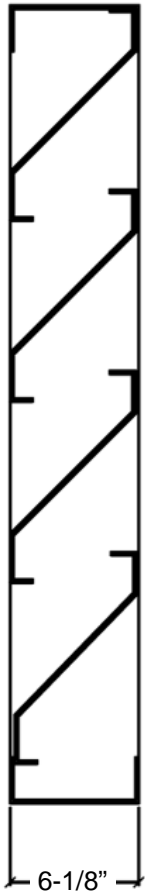


Galvanized Steel 6" Deep Louver Stationary J Style Blade

Model: FFJC Channel Frame, FJJC Flanged Frame



Section View

Model FFJC

▼ Standard Specifications

Frame: 18 gauge galvanized steel, 6" deep

Blades: J style, 20 gauge galvanized steel, positioned at 45° angles on approximately 6" centers

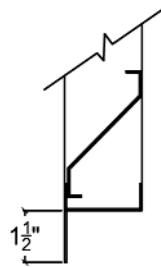
Finish: mill galvanized

Screen: 1/2" x .050" expanded flattened aluminum in removable frame. Screen is mounted on inside (rear) as looking from exterior of building.

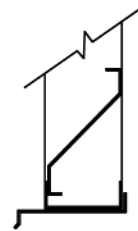
Maximum Panel Size: 96"w x 72"h

Larger sizes made in multiple sections

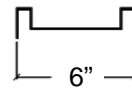
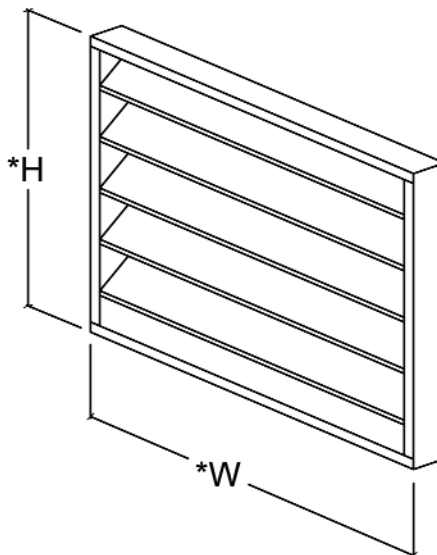
Minimum Panel Size: 8"w x 12"h



Flanged Frame
Optional



Extended Sill
Optional



Typical
Jamb

*Width and height dimensions are approximately 1/4" under listed size.

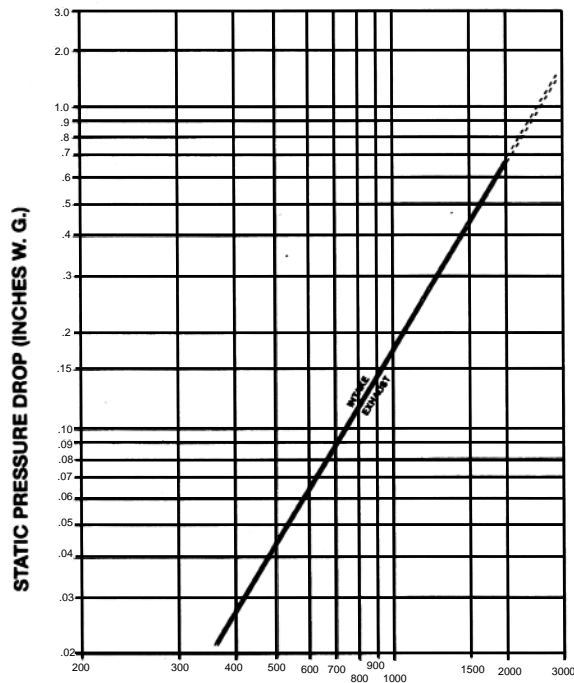
Model FFJC and FJJC

Free Area in Square Feet

HEIGHT INCHES	WIDTH IN INCHES									
	8	12	18	24	30	36	42	48	54	60
12	0.10	0.11	0.30	0.41	0.53	0.65	0.77	0.88	1.00	1.12
18	0.22	0.23	0.65	0.90	1.16	1.41	1.67	1.92	2.18	2.43
24	0.34	0.41	1.00	1.39	1.79	2.18	2.57	2.97	3.36	3.75
30	0.46	0.67	1.35	1.88	2.41	2.94	3.48	4.01	4.54	5.07
36	0.59	0.84	1.70	2.37	3.04	3.71	4.38	5.05	5.72	6.39
42	0.74	1.11	2.15	2.99	3.83	4.68	5.52	6.37	7.21	8.06
48	0.88	1.28	2.55	3.55	4.56	5.56	6.56	7.57	8.57	9.57
54	1.02	1.54	2.95	4.12	5.28	6.44	7.60	8.77	9.93	11.09
60	1.16	1.72	3.36	4.68	6.00	7.32	8.64	9.96	11.29	12.61
66	1.30	1.98	3.76	5.24	6.72	8.20	9.68	11.16	12.64	14.12
72	1.43	2.16	4.16	5.80	7.43	9.07	10.70	12.34	13.98	15.61
78	1.55	2.42	4.51	6.28	8.06	9.83	11.61	13.38	15.16	16.93
84	1.67	2.60	4.86	6.77	8.69	10.60	12.51	14.42	16.34	18.25
90	1.79	2.86	5.21	7.26	9.31	11.36	13.42	15.47	17.52	19.57
96	1.92	3.03	5.56	7.75	9.94	12.13	14.32	16.51	18.70	20.89

Beginning point of WATER PENETRATION is 896 fpm
free area velocity at .01 oz. of water penetration

Pressure Drop



FREE AREA VELOCITY (FT/MIN)

Standard air - .075 lbs per cu ft
Ratings do not include the effect of a wire birdscreen
Test based on a 48" x 48" test size, 15 min test duration

Water Penetration

