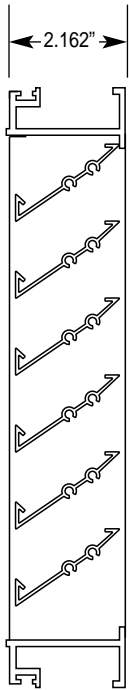
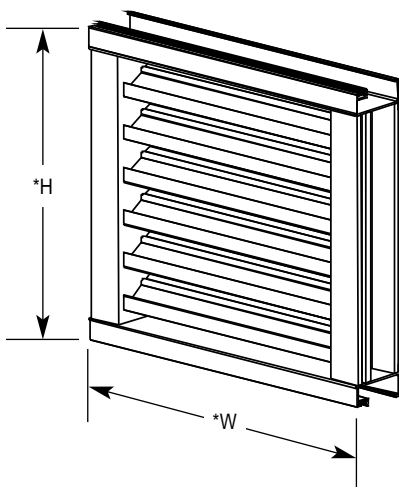


Extruded Aluminum Stationary Drainable Blade Louver 2" Deep

Model: FPAB Channel Frame, FTAB Flanged Frame



Section View



*Width and height dimensions are approximately 1/4" under listed size.

Model FPAB

▼ Standard Specifications

Frame: .060 extruded aluminum, 2.162" deep

Blades: .060 extruded aluminum positioned on a 37° angle on approximately 1.47" centers

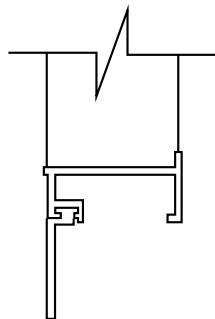
Finish: mill aluminum (standard)

Screen: 3/4" x .051" flattened aluminum in removable frame. Screen is mounted as standard on inside (rear) as looking from exterior of building.

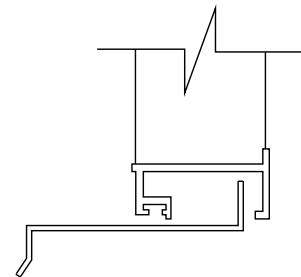
Maximum Panel Size: 120"w x 84"h or 84"w x 120"h

Minimum Panel Size: 12"w x 12"h

Note: Drainable blade louvers should be limited to 10' maximum section widths (no more than 10' between vertical downspouts) to enable the drainable design to function effectively.



Flanged Frame
Optional



Extended Sill
Optional



The Carnes Company certifies that the model FPAB/FTAB louver shown herein is licensed to bear the AMCA Seal. The ratings shown are based on tests and procedures performed in accordance with AMCA Publication 511 and comply with the requirements of the AMCA Certified Ratings Program. The AMCA Certified Ratings Seal applies to air performance ratings and water penetration ratings.

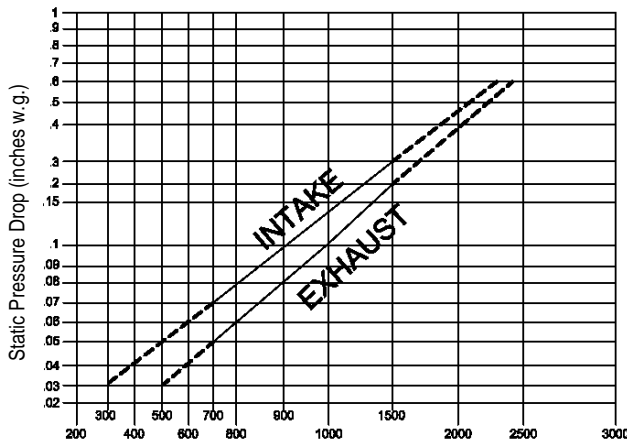
Model FPAB and FTAB

Free Area in Square Feet

HEIGHT INCHES	WIDTH IN INCHES																		
	12	18	24	30	36	42	48	54	60	66	72	78	84	90	96	102	108	114	120
12	0.33	0.54	0.74	0.95	1.16	1.36	1.57	1.77	1.98	2.18	2.39	2.59	2.80	3.00	3.21	3.41	3.62	3.82	4.03
18	0.57	0.92	1.27	1.63	1.98	2.33	2.68	3.03	3.38	3.74	4.09	4.44	4.79	5.14	5.49	5.85	6.20	6.55	6.90
24	0.81	1.31	1.81	2.30	2.80	3.30	3.80	4.30	4.79	5.29	5.79	6.29	6.79	7.28	7.78	8.28	8.78	9.28	9.77
30	1.11	1.79	2.47	3.15	3.83	4.52	5.20	5.88	6.56	7.24	7.93	8.61	9.29	9.97	10.65	11.33	12.02	12.70	13.38
36	1.35	2.19	3.02	3.85	4.69	5.52	6.35	7.19	8.02	8.85	9.69	10.52	11.35	12.19	13.02	13.85	14.69	15.52	16.35
42	1.60	2.58	3.57	4.55	5.54	6.52	7.51	8.49	9.48	10.46	11.45	12.43	13.42	14.40	15.39	16.37	17.36	18.34	19.33
48	1.85	2.98	4.12	5.26	6.39	7.53	8.66	9.80	10.94	12.07	13.21	14.35	15.48	16.62	17.75	18.89	20.03	21.16	22.30
54	2.09	3.38	4.67	5.96	7.24	8.53	9.82	11.11	12.39	13.68	14.97	16.26	17.55	18.83	20.12	21.41	22.70	23.98	25.27
60	2.34	3.78	5.22	6.66	8.10	9.54	10.97	12.41	13.85	15.29	16.73	18.17	19.61	21.05	22.49	23.93	25.37	26.81	28.25
66	2.53	4.09	5.65	7.21	8.77	10.33	11.89	13.45	15.00	16.56	18.12	19.68	21.24	22.80	24.36	25.92	27.48	29.03	30.59
72	2.77	4.48	6.18	7.89	9.59	11.30	13.00	14.71	16.41	18.12	19.82	21.53	23.23	24.94	26.64	28.35	30.06	31.76	33.47
78	3.01	4.86	6.71	8.56	10.42	12.27	14.12	15.97	17.82	19.67	21.52	23.38	25.23	27.08	28.93	30.78	32.63	34.49	36.34
84	3.25	5.24	7.24	9.24	11.24	13.24	15.23	17.23	19.23	21.23	23.23	25.22	27.22	29.22	31.22	33.22	35.21	37.21	39.21
90	3.48	5.63	7.77	9.92	12.06	14.21	16.35	18.49	20.64	22.78	24.93	27.07	29.22	31.36	33.50	35.65	37.79	39.94	42.08
96	3.72	6.01	8.30	10.59	12.88	15.18	17.47	19.76	22.05	24.34	26.63	28.92	31.21	33.5	35.79	38.08	40.37	42.66	44.95
102	4.02	6.50	8.97	11.45	13.92	16.40	18.87	21.35	23.82	26.30	28.77	31.25	33.72	36.20	38.67	41.15	43.62	46.10	48.57
108	4.27	6.89	9.52	12.15	14.77	17.40	20.03	22.65	25.28	27.91	30.53	33.16	35.79	38.41	41.04	43.67	46.29	48.92	51.55
114	4.51	7.29	10.07	12.85	15.63	18.41	21.18	23.96	26.74	29.52	32.30	35.07	37.85	40.63	43.41	46.19	48.96	51.74	54.52
120	4.76	7.69	10.62	13.55	16.48	19.41	22.34	25.27	28.20	31.13	34.06	36.99	39.92	42.85	45.78	48.71	51.63	54.56	57.49

Beginning point of WATER PENETRATION is 805 fpm
free area velocity at .01 oz. of water penetration

Pressure Drop



FREE AREA VELOCITY (FT/MIN)

Standard air - .075 lbs per cu ft
Ratings do not include the effects of a wire birdscreen
Test based on a 48" x 48" test size, 15 min test duration

Water Penetration

