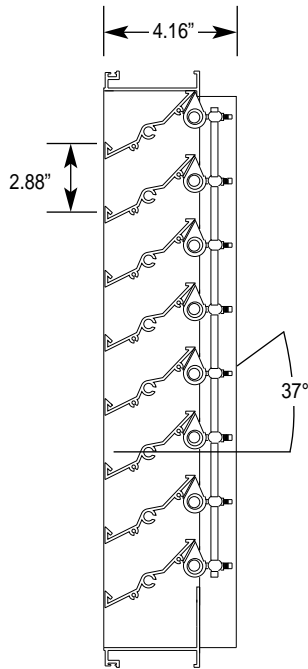
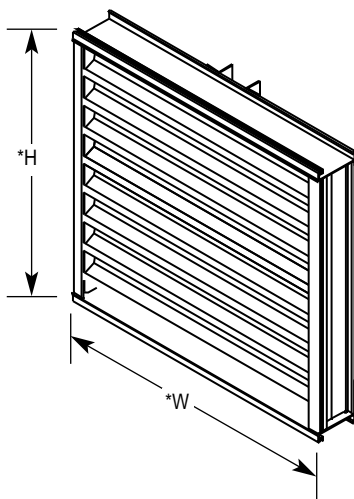


## Extruded Aluminum Adjustable Drainable Blade Louver 4" Deep

Model: FPEB Channel Frame, FTEB Flanged Frame



Section View



\*Width and height dimensions are approximately 1/4" under listed size.

### Model FPEB

#### ▼ Standard Specifications

**Frame:** .081 extruded aluminum, 4.16" deep

**Blades:** .081 extruded aluminum positioned on a 37° angle on approximately 2.88" centers

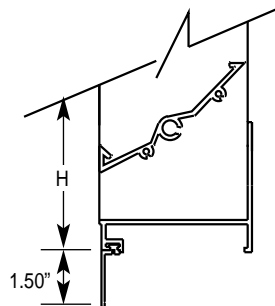
**Linkage:** in airstream

**Finish:** mill aluminum (standard)

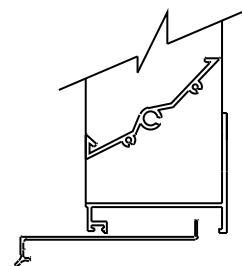
**Screen:** 3/4" x .051" flattened aluminum in removable frame. Screen is mounted as standard on inside (rear) as looking from exterior of building.

**Maximum Panel Size:** 60"w x 72"h single section. Multiple louvers can be bolted together up to 120"w x 84"h or 84"w x 120"h. Factory assembled multi-section max: 108"w x 48"h. Larger sizes are field assembled.

**Minimum Panel Size:** 12"w x 12"h



Flanged Frame  
Optional



Extended Sill  
Optional



The Carnes Company certifies that the model FPEB/FTEB louver shown herein is licensed to bear the AMCA Seal. The ratings shown are based on tests and procedures performed in accordance with AMCA Publication 511 and comply with the requirements of the AMCA Certified Ratings Program. The AMCA Certified Ratings Seal applies to air performance ratings and water penetration ratings.

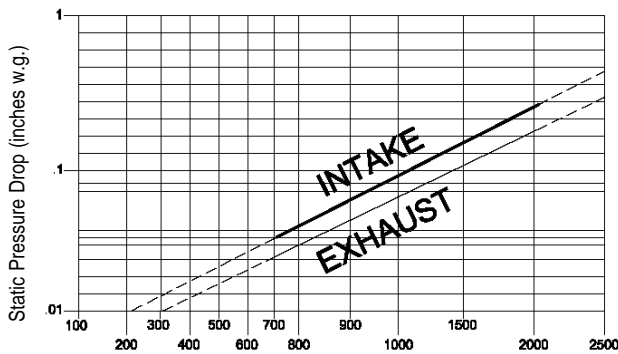
## Model FPEB and FTEB

### Free Area in Square Feet

HEIGHT INCHES	WIDTH IN INCHES								
	12	18	24	30	36	42	48	54	60
12	0.27	0.44	0.60	0.77	0.94	1.10	1.28	1.45	1.61
18	0.47	0.77	1.05	1.35	1.64	1.94	2.24	2.52	2.82
24	0.68	1.11	1.53	1.96	2.38	2.81	3.23	3.66	4.08
30	0.84	1.37	1.89	2.41	2.94	3.47	3.99	4.51	5.04
36	1.03	1.67	2.32	2.96	3.60	4.24	4.89	5.53	6.17
42	1.25	2.02	2.81	3.59	4.36	5.14	5.92	6.62	7.47
48	1.44	2.34	3.23	4.13	5.02	5.92	6.81	7.71	8.61
54	1.63	2.65	3.67	4.69	5.71	6.73	7.74	8.76	9.78
60	1.84	2.98	4.12	5.26	6.40	7.55	8.69	9.83	10.97
66	2.03	3.29	4.56	5.83	7.10	8.37	9.63	10.90	12.16
72	2.24	3.62	5.02	6.41	7.80	9.19	10.58	11.98	13.37
78	2.42	3.94	5.44	6.95	8.46	9.97	11.48	12.99	14.50
84	2.64	4.59	5.93	7.57	9.22	10.86	12.51	14.17	15.82
90	2.84	4.61	6.38	8.14	9.91	11.69	13.45	15.22	16.97
96	3.04	4.95	6.84	8.75	10.65	12.31	14.44	16.34	18.24

Beginning point of WATER PENETRATION is 1119 fpm free area velocity at .01 oz. of water penetration

### Pressure Drop



#### FREE AREA VELOCITY (FT/MIN)

Standard air - .075 lbs per cu ft  
 Ratings do not include the effects of a wire birdscreen  
 Test based on a 48" x 48" test size, 15 min test duration

### Water Penetration

