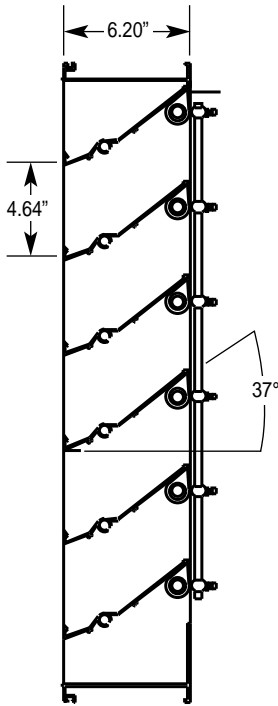


## Extruded Aluminum Adjustable Drainable Blade Louver 6" Deep

Model: FPFB Channel Frame, FTFB Flanged Frame



Section View

### Model FPFB

#### ▼ Standard Specifications

**Frame:** .125 extruded aluminum, 6.20" deep

**Blades:** .081 extruded aluminum positioned on a 37° angle on approximately 4.64" centers

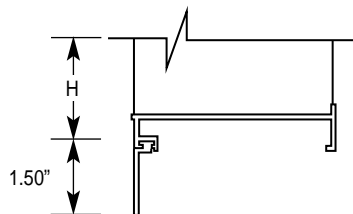
**Linkage:** in airstream

**Finish:** mill aluminum (standard)

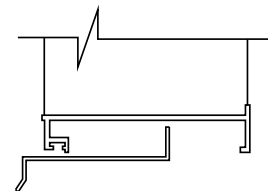
**Screen:** 3/4" x .051" flattened aluminum in removable frame. Screen is mounted as standard on inside (rear) as looking from exterior of building.

**Maximum Panel Size:** 60"w x 72"h single section. Multiple louvers can be bolted together up to 120"w x 84"h or 84"w x 120"h. Factory assembled multi-section max: 108"w x 48"h. Larger sizes are field assembled.

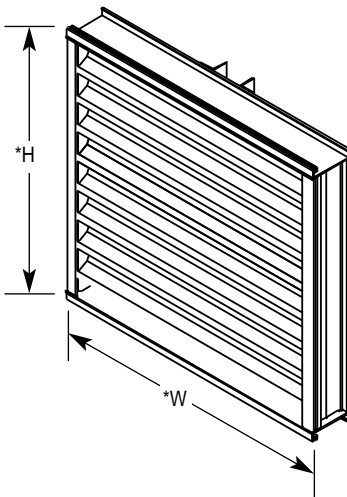
**Minimum Panel Size:** 12"w x 12"h



Flanged Frame  
Optional



Extended Sill  
Optional



\*Width and height dimensions are approximately 1/4" under listed size.



The Carnes Company certifies that the model FPFB/FTFB louver shown herein is licensed to bear the AMCA Seal. The ratings shown are based on tests and procedures performed in accordance with AMCA Publication 511 and comply with the requirements of the AMCA Certified Ratings Program. The AMCA Certified Ratings Seal applies to air performance ratings and water penetration ratings.

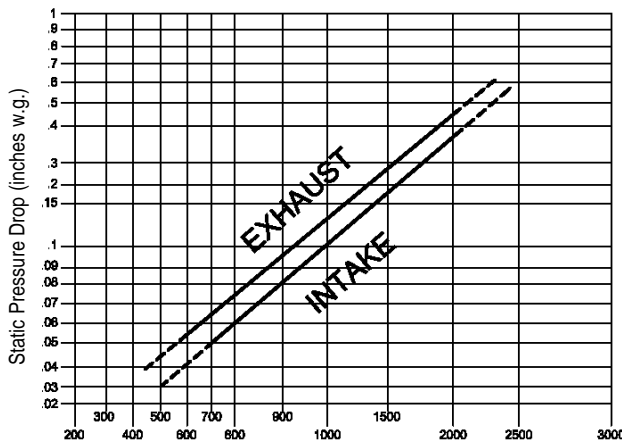
## Model FPFB and FTFB

### Free Area in Square Feet

HEIGHT INCHES	WIDTH IN INCHES																		
	12	18	24	30	36	42	48	54	60	66	72	78	84	90	96	102	108	114	120
12	0.27	0.44	0.61	0.78	0.95	1.11	1.28	1.45	1.62	1.79	1.95	2.12	2.29	2.46	2.63	2.80	2.96	3.13	3.30
18	0.54	0.87	1.20	1.54	1.87	2.20	2.53	2.86	3.20	3.53	3.86	4.19	4.52	4.86	5.19	5.52	5.85	6.18	6.52
24	0.79	1.27	1.76	2.24	2.72	3.21	3.69	4.18	4.66	5.14	5.63	6.11	6.60	7.08	7.57	8.05	8.53	9.02	9.50
30	1.06	1.72	2.37	3.03	3.68	4.34	4.99	5.65	6.30	6.96	7.61	8.27	8.92	9.58	10.23	10.89	11.54	12.20	12.85
36	1.27	2.06	2.84	3.62	4.40	5.19	5.97	6.75	7.54	8.32	9.10	9.88	10.67	11.45	12.23	13.02	13.80	14.58	15.36
42	1.51	2.44	3.37	4.29	5.22	6.15	7.08	8.01	8.94	9.86	10.79	11.72	12.65	13.58	14.51	15.43	16.36	17.29	18.22
48	1.82	2.95	4.07	5.19	6.31	7.43	8.56	9.68	10.80	11.92	13.04	14.17	15.29	16.41	17.53	18.65	19.78	20.90	22.02
54	1.99	3.22	4.45	5.68	6.90	8.13	9.36	10.59	11.81	13.04	14.27	15.49	16.72	17.95	19.18	20.40	21.63	22.86	24.09
60	2.24	3.62	5.00	6.39	7.77	9.15	10.53	11.91	13.29	14.67	16.05	17.43	18.81	20.19	21.57	22.95	24.33	25.71	27.09
66	2.50	4.05	5.59	7.13	8.67	10.21	11.75	13.29	14.83	16.37	17.92	19.46	21.00	22.54	24.08	25.62	27.16	28.70	30.24
72	2.72	4.40	6.07	7.75	9.42	11.10	12.77	14.45	16.12	17.80	19.47	21.15	22.82	24.50	26.17	27.85	29.52	31.20	32.87
78	2.99	4.82	6.66	8.50	10.33	12.17	14.01	15.85	17.68	19.52	21.36	23.19	25.03	26.87	28.71	30.54	32.38	34.22	36.05
84	3.22	5.21	7.19	9.18	11.16	13.15	15.13	17.12	19.10	21.09	23.07	25.06	27.04	29.02	31.01	32.99	34.98	36.96	38.95
90	3.50	5.66	7.81	9.97	12.12	14.28	16.43	18.59	20.74	22.9	25.05	27.21	29.36	31.52	33.67	35.83	37.99	40.14	42.30
96	3.72	6.01	8.29	10.58	12.87	15.16	17.45	19.73	22.02	24.31	26.60	28.89	31.17	33.46	35.75	38.04	40.33	42.61	44.90
102	3.96	6.40	8.84	11.27	13.71	16.15	18.58	21.02	23.46	25.90	28.33	30.77	33.21	35.65	38.08	40.52	42.96	45.39	47.83
108	4.23	6.83	9.43	12.03	14.63	17.23	19.83	22.43	25.03	27.63	30.23	32.83	35.43	38.03	40.63	43.23	45.83	48.43	51.03
114	4.44	7.17	9.90	12.63	15.36	18.09	20.82	23.55	26.28	29.01	31.74	34.47	37.21	39.94	42.67	45.40	48.13	50.86	53.59
120	4.70	7.60	10.49	13.39	16.28	19.18	22.07	24.96	27.86	30.75	33.65	36.54	39.44	42.33	45.22	48.12	51.01	53.91	56.80

Beginning point of WATER PENETRATION is 922 fpm  
free area velocity at .01 oz. of water penetration

### Pressure Drop



### FREE AREA VELOCITY (FT/MIN)

Standard air - .075 lbs per cu ft  
Ratings do not include the effects of a wire birdscreen  
Test based on a 48" x 48" test size, 15 min test duration

### Water Penetration

