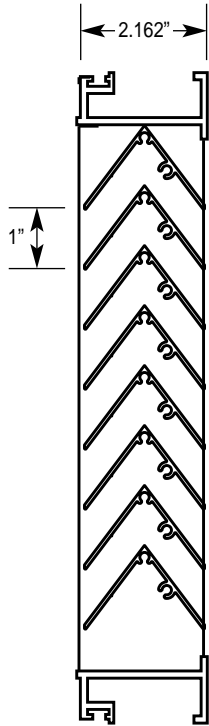
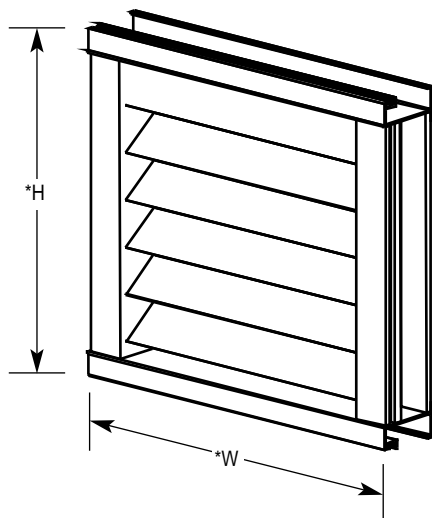


Extruded Aluminum Sight Proof 2" Deep Louver (Fixed Sight Proof Chevron Blades)

Model: FYKB Channel Frame, FZKB Flanged Frame



Section View



Model FYKB

▼ Standard Specifications

Frame: .060 extruded aluminum 2.162" deep

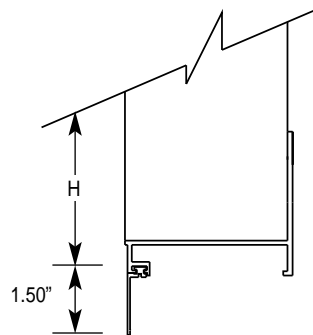
Blades: V shaped .060" extruded aluminum on approximately 1" centers

Screen: 3/4" x .051 flattened aluminum in removable frame. Screen is mounted as standard on inside (rear) as looking from exterior of building.

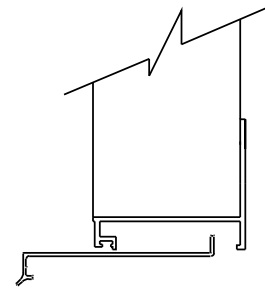
Finish: mill aluminum (standard)

Maximum Panel Size: 120"w x 84"h or 84"w x 120"h

Minimum Panel Size: 12"w x 12"h



Flanged Frame
Optional



Extended Sill
Optional

*Width and height dimensions are approximately 1/4" under listed size.