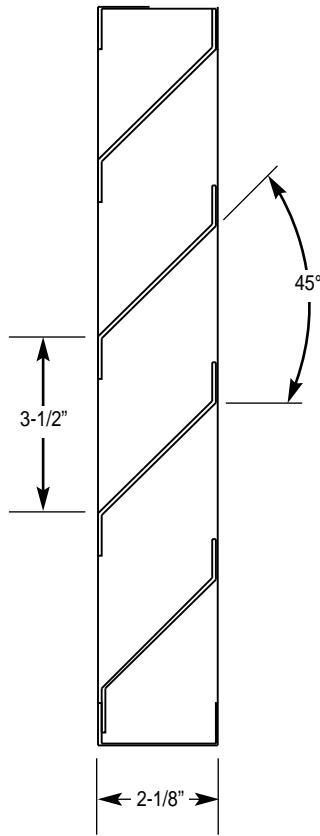


Galvanized Steel Stationary Blade Thin Line Louver 2" Deep

Model: FFWC Channel Frame, FJWC Flanged Frame



Section View

Model FFWC

▼ Standard Specifications

Frame: 18 gauge galvanized steel, 2" deep

Blades: 20 gauge galvanized steel, positioned at 45° angles on approximately 3.5" centers

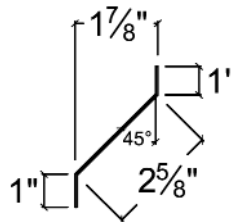
Finish: mill galvanized

Screen: 1/2" x .050 expanded flattened aluminum in removable frame. Screen is mounted on inside (rear) as looking from exterior of building.

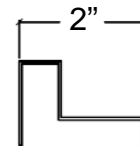
Maximum Panel Size: 96"w x 72"h

Minimum Panel Size: 8"w x 10"h

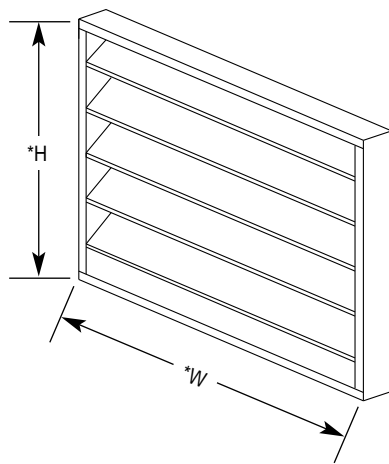
Larger sizes made in multiple sections



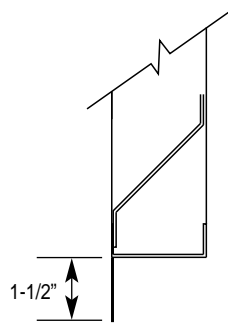
Typical Blade



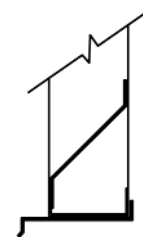
Typical Jamb



39% Free Area
(Based on size 48 x 48)



Flanged Frame
Optional



Extended Sill
Optional

*Width and height dimensions are approximately 1/4" under listed size.