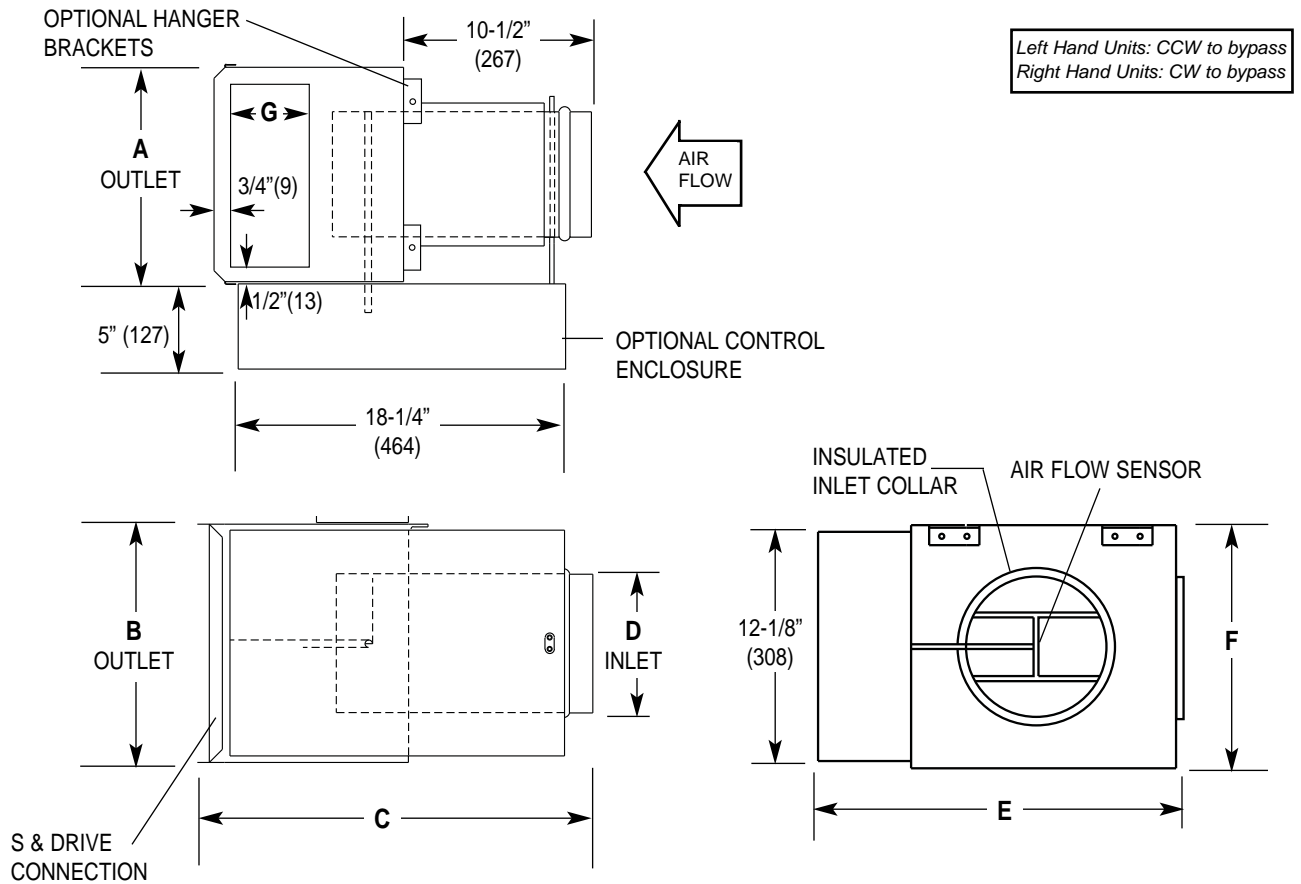


Imperial [IP] Dimensions
Metric (SI) in Parentheses

CARNES COMPANY 448 S. Main St., P. O. Box 930040, Verona, WI 53593-0040 Phone: (608)845-6411 Fax: (608)845-6470 www.carnes.com



DIMENSIONS LISTED IN INCHES (Millimeters)

Unit Size	CFM (L/s) Range	OUTLET		C	INLET	E	F	G
		A	B		D			
06	0-250 (0-118)	12 (305)	10 (254)	20-1/2 (521)	5-7/8 (149)	17 (432)	10-1/8 (257)	4-3/4 (121)
07	0-350 (0-165)	12 (305)	10 (254)	20-1/2 (521)	6-7/8 (175)	17 (432)	10-1/8 (257)	4-3/4 (121)
08	0-500 (0-236)	12 (305)	10 (254)	20-1/2 (521)	7-7/8 (200)	17 (432)	10-1/8 (257)	4-3/4 (121)
10	0-750 (0-354)	14 (356)	12-1/2 (318)	22-1/2 (572)	9-7/8 (251)	19 (483)	12-5/8 (320)	5-3/4 (146)
12	0-1150 (0-543)	16 (406)	15 (381)	22-1/2 (572)	11-7/8 (302)	21 (533)	15-1/8 (381)	5-3/4 (146)
14	0-1550 (0-732)	20 (508)	17-1/2 (445)	26-1/2 (673)	13-7/8 (352)	25 (635)	17-5/8 (447)	7-3/4 (197)
16	0-2100 (0-990)	24 (610)	17-1/2 (445)	27-1/2 (699)	15-7/8 (403)	29 (737)	17-5/8 (447)	7-3/4 (197)
18	0-2750 (0-1298)	32 (813)	17-1/2 (445)	27-1/2 (699)	15-7/8x17-7/8 (403x454)	37 (940)	17-5/8 (447)	7-3/4 (197)
24	0-3650 (0-1722)	32 (813)	17-1/2 (445)	27-1/2 (699)	15-7/8x23-7/8 (403x607)	37 (940)	17-5/8 (447)	7-3/4 (197)