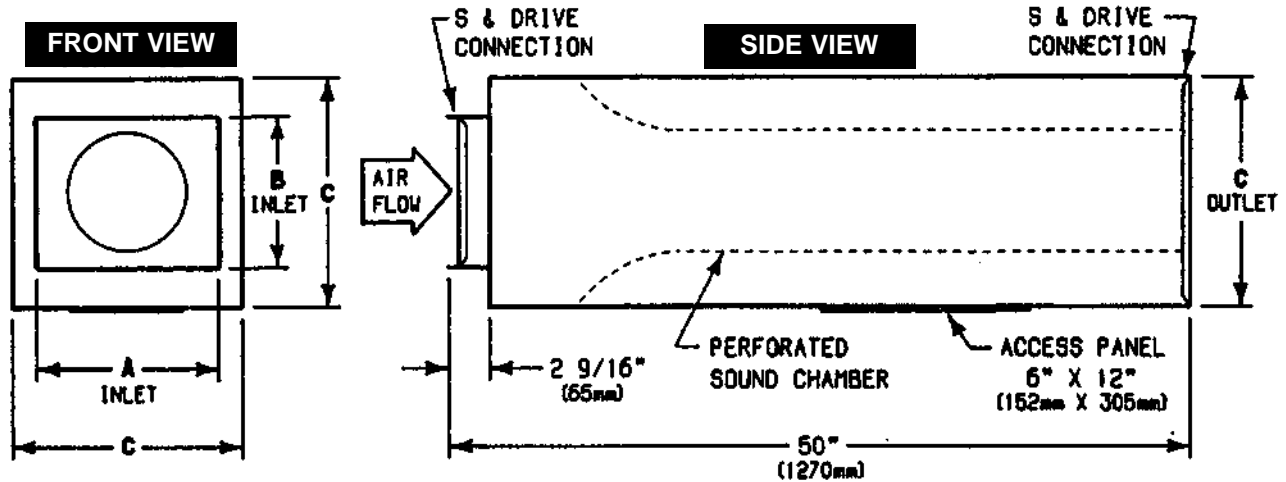


Imperial [IP] Dimensions  
Metric (SI) in Parentheses

CARNES COMPANY 448 S. Main St., P. O. Box 930040, Verona, WI 53593-0040 Phone: (608)845-6411 Fax: (608)845-6504 www.carnes.com



### STANDARD FEATURES:

- 22 Gauge Galvanized Steel
- Slip & Drive Disconnect
- Made In America
- No Internal Insulation
- Internal Perforated Tube Assembly
- Bottom Access Panel
- Shipped Loose For Field Connection

### OPTIONS:

#### Miscellaneous

- Hanger Brackets
- External 1" Rigid Duct Board Insulation

- Special Construction \_\_\_\_\_
- Exceptions \_\_\_\_\_

CLEAN AIR SILENCER					
DIMENSIONS LISTED IN INCHES (Millimeters)					
UNIT SIZE		INLET		OUTLET	WEIGHT LBS. [Kg.]
AXPA	AV	A	B	C x C	
01	07 - 08	12 (305)	10 (254)	15-1/8 (384)	40 [18]
02	10	14 (356)	12-1/2 (318)	20-1/8 (511)	55 [25]
03	12	16 (405)	15 (381)	20-1/8 (511)	55 [25]
04	14	20 (508)	17-1/2 (445)	24-1/8 (613)	70 [32]

Consult factory for other sizes.

Job Name \_\_\_\_\_ Contractor \_\_\_\_\_  
 Architect \_\_\_\_\_ Submitted By \_\_\_\_\_  
 Engineer \_\_\_\_\_ Tag/Mark \_\_\_\_\_