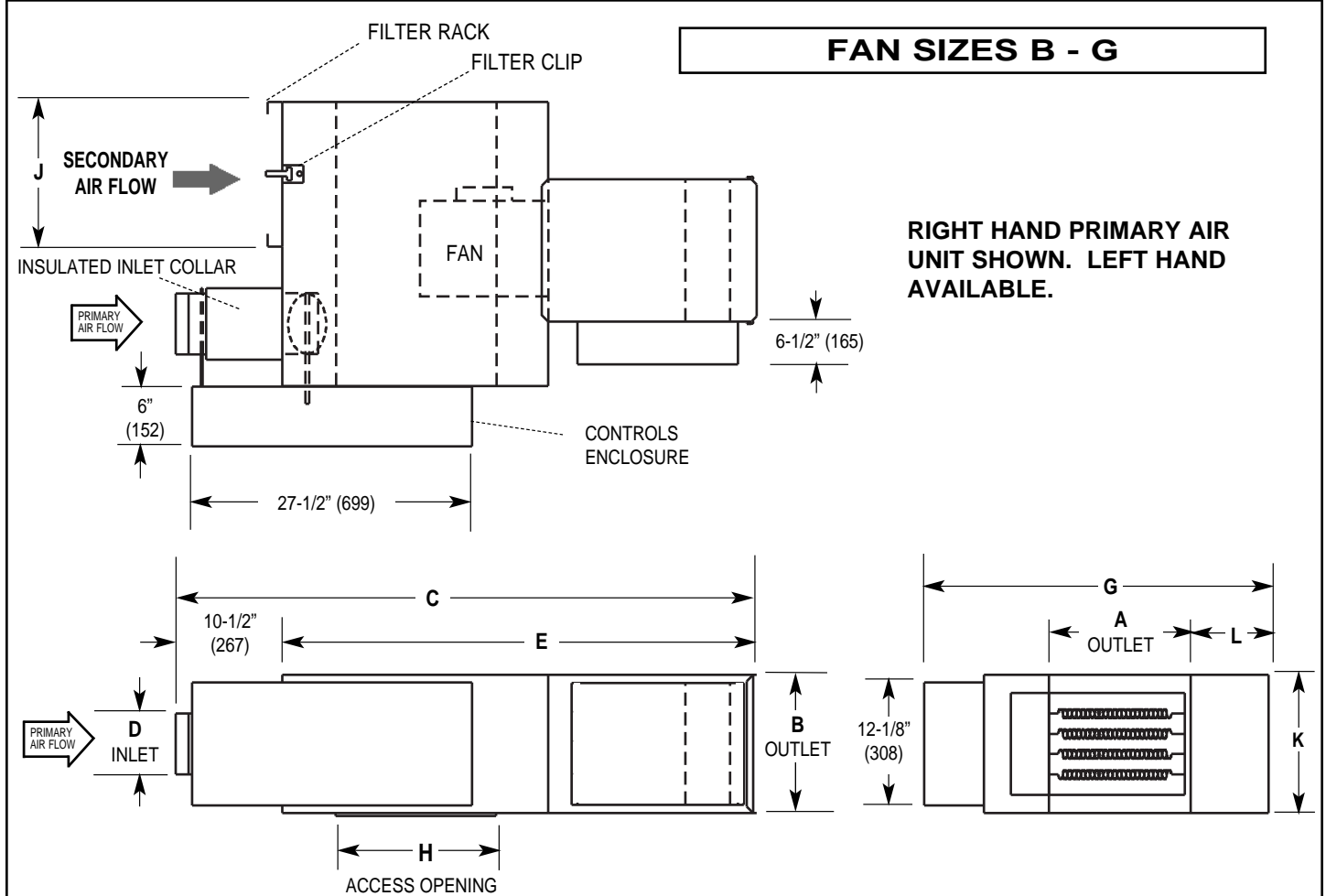


Imperial [IP] Dimensions
Metric (SI) in Parentheses

CARNES COMPANY 448 S. Main St., P. O. Box 930040, Verona, WI 53593-0040 Phone: (608)845-6411 Fax: (608)845-6504 www.carnes.com



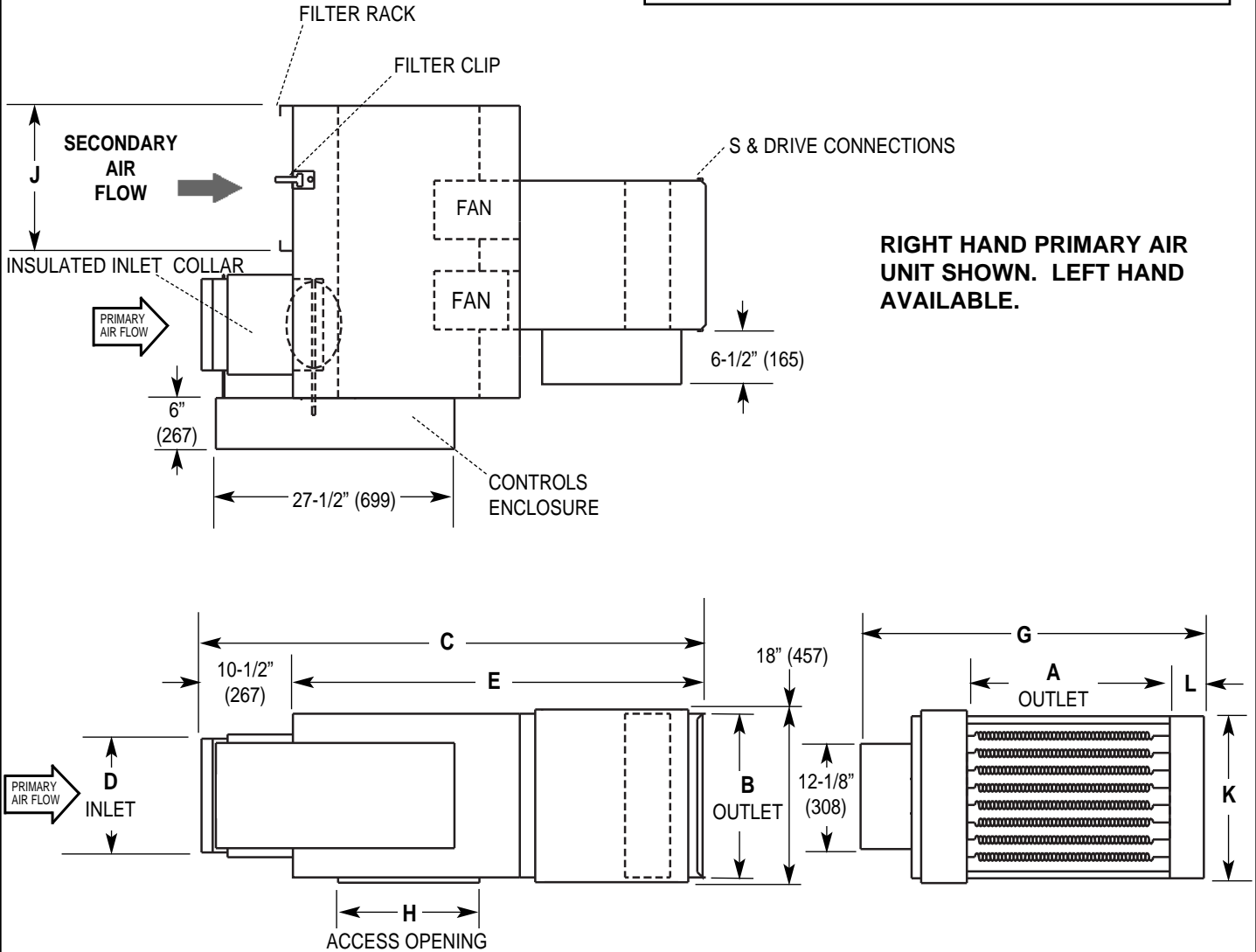
DIMENSIONS LISTED IN INCHES (Millimeters)														
Fan Size	Inlet Size	Primary CFM (L/s)	Sec. CFM @ .25" E.S.P. (L/s)	Fan H.P.	Outlet			Inlet		G	H	J	K	L
					A	B	C	D	E					
B	05	350 (165)	550 (260)	1/6	14 (356)	15 (381)	65 (1651)	4-7/8 (124)	61-5/8 (1565)	30 (762)	19-5/8 (498)	13-3/4 (349)	15 (381)	8 (203)
B	06	500 (236)	550 (260)	1/6				5-7/8 (149)						
C	07	700 (330)	750 (354)	1/6				6-7/8 (175)						
D	08	1000 (472)	1275 (602)	1/4	16 (406)	17-1/2 (445)	67 (1702)	7-7/8 (200)	54-3/4 (1391)	35-3/4 (908)	20 (508)	15-3/4 (400)	17-1/2 (445)	7-5/8 (194)
E	10	1500 (708)	1780 (840)	1/2				9-7/8 (251)		41-3/4 (1048)	22 (559)	22-3/4 (578)		
F	12	2300 (1086)	2430 (1147)	3/4				11-7/8 (302)		21-3/4 (552)	19-3/4 (502)	9-7/8 (251)		
G	14	3100 (1463)	3100 (1463)	1	24 (610)	75 (1905)	13-7/8 (352)	62-5/8 (1591)	45-13/16 (1164)	27-3/4 (705)	17-3/4 (451)	20 (508)	10-7/8 (276)	
G	16	4200 (1982)					15-7/8 (403)							

Note: Outlet is designed for slip and drive duct connection.

Imperial [IP] Dimensions
Metric (SI) in Parentheses

CARNES COMPANY 448 S. Main St., P. O. Box 930040, Verona, WI 53593-0040 Phone: (608)845-6411 Fax: (608)845-6504 www.carnes.com

FAN SIZE J



DIMENSIONS LISTED IN INCHES (Millimeters)

Fan Size	Inlet Size	Primary CFM (L/s)	Sec. CFM @ .25" E.S.P. (L/s)	Fan H.P. (2)	Outlet		Inlet		E	G	H	J	K	L
					A	B	C	D						
J	16	4200 (1982)	4130 (1949)	3/4 (2)	42 (1067)	18-1/4 (463)	65-3/4 (1670)	15-7/8 (403)	53-1/4 (1353)	56 (1422)	17-3/4 (451)	27-7/8 (708)	18-1/4 (463)	4 (102)

Note: Outlet is designed for slip and drive duct connection.