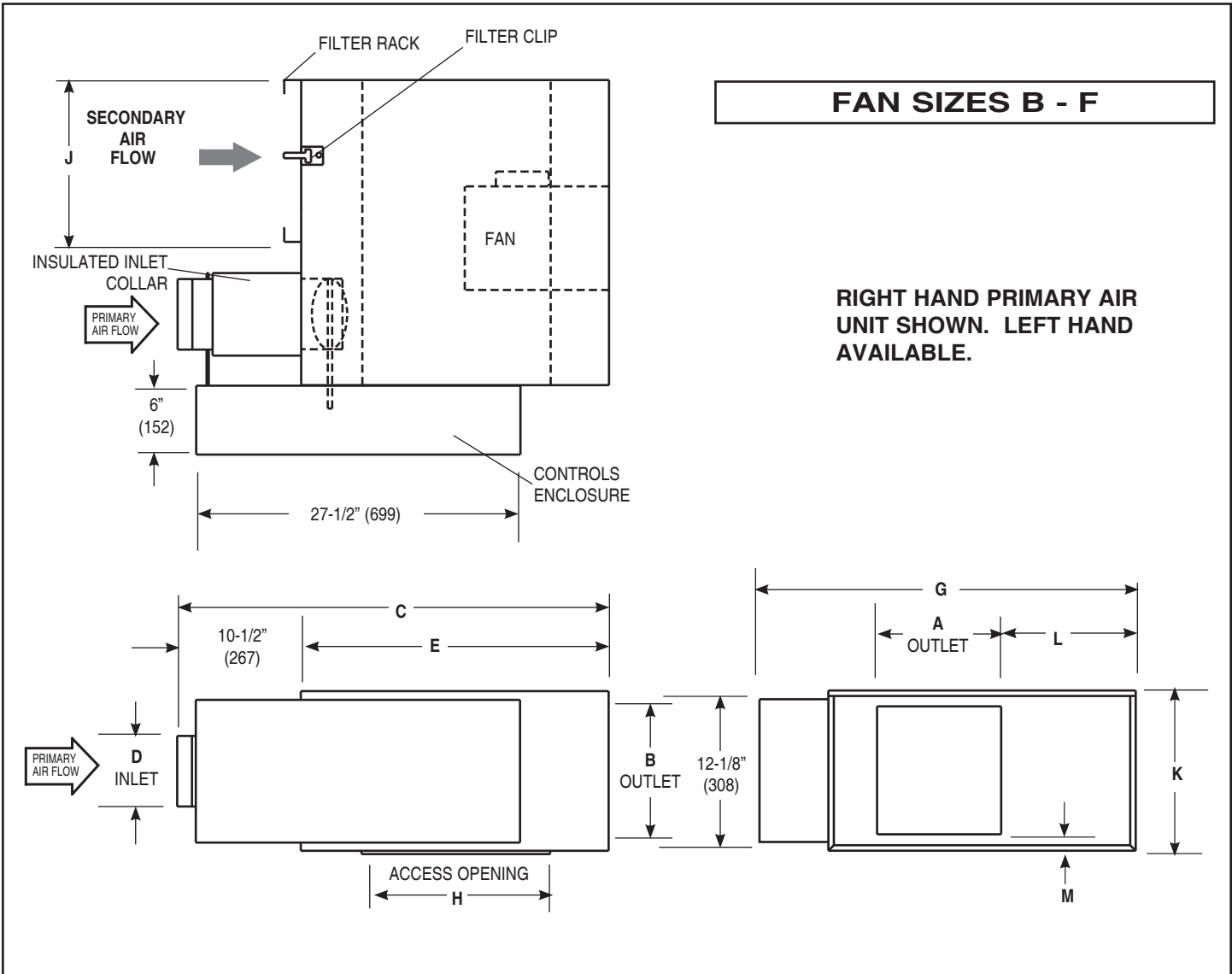


Imperial [IP] Dimensions
Metric (SI) in Parentheses

CARNES COMPANY 448 S. Main St., P. O. Box 930040, Verona, WI 53593-0040 Phone: (608)845-6411 Fax: (608)845-6504 www.carnes.com



FAN SIZES B - F

RIGHT HAND PRIMARY AIR UNIT SHOWN. LEFT HAND AVAILABLE.

DIMENSIONS LISTED IN INCHES (Millimeters)

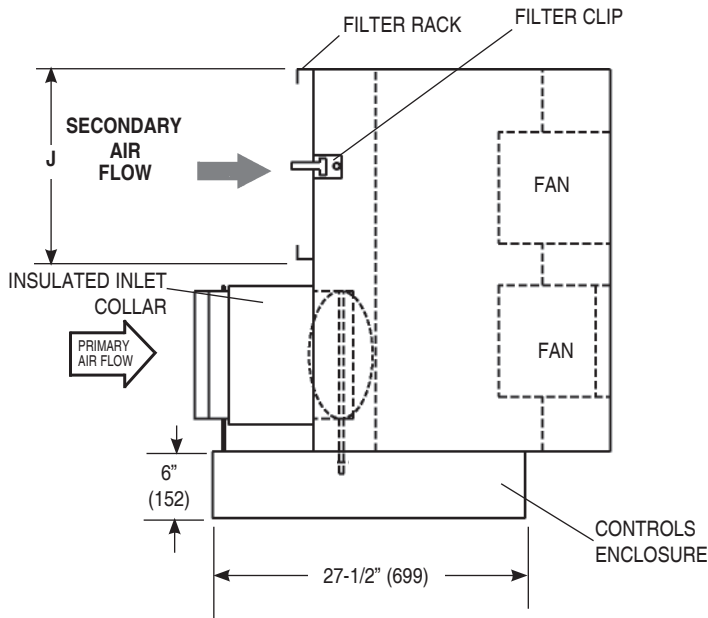
Fan Size	Inlet Size	Primary CFM (L/s)	Sec. CFM @ .25" E.S.P. (L/s)	Fan H.P.	Outlet			Inlet D	E	G	H	J	K	L	M
					A	B	C								
B	06	550 (260)	550 (260)	1/3	6-3/4 (171)	7	40-5/8 (1032)	5-7/8 (149)	30 (762)	30 (762)	19-5/8 (498)	13-3/4 (349)	15 (381)	7-7/8 (200)	6-3/4 (171)
C	07	800 (378)	800 (378)	1/3	8-1/4 (210)	(178)		6-7/8 (175)	40-1/2 (1029)	35-3/4 (908)	20 (508)	15-3/4 (400)	17-1/2 (445)	9-1/4 (235)	5-3/4 (146)
D	08	1200 (566)	1200 (566)	1/3	11-3/4 (298)	8 (203)	9-7/8 (251)	32 (813)	41-3/4 (1048)	22 (559)	20-3/4 (527)	17-1/2 (445)		12-1/8 (308)	8-7/16 (214)
E	10	1800 (850)	1800 (850)	1	11-1/4 (286)	7-1/2 (191)	42-3/4 (1086)	11-7/8 (302)	21-3/4 (552)	21-3/4 (552)	19-3/4 (502)		17-1/2 (445)	11-7/16 (281)	8-15/16 (227)
F	12	2350 (1109)	2350 (1109)	1	13-1/8 (333)		42-1/4 (1073)								

NOTE: Outlet dimensions refer to the actual opening.

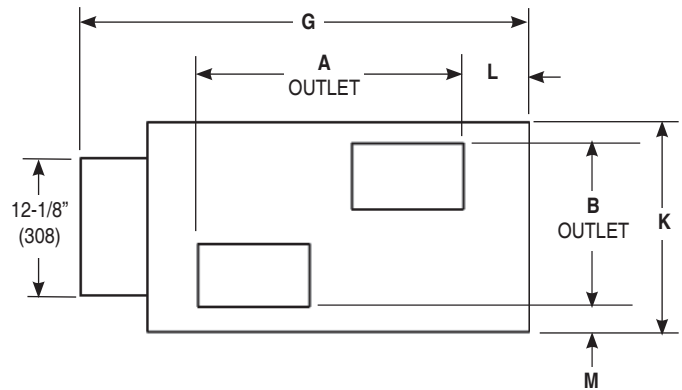
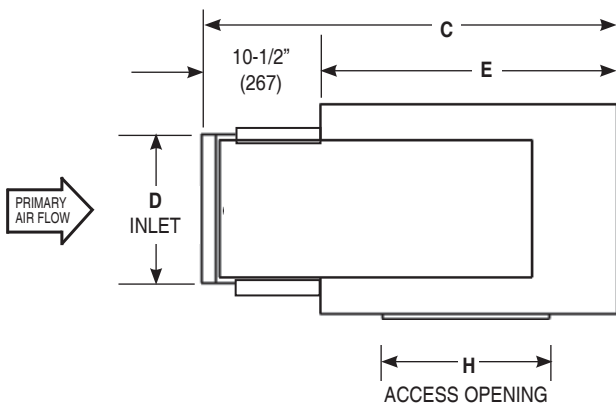
Imperial [IP] Dimensions
Metric (SI) in Parentheses

CARNES COMPANY 448 S. Main St., P. O. Box 930040, Verona, WI 53593-0040 Phone: (608)845-6411 Fax: (608)845-6504 www.carnes.com

FAN SIZES H and J



RIGHT HAND PRIMARY AIR UNIT SHOWN. LEFT HAND AVAILABLE.



DIMENSIONS LISTED IN INCHES (Millimeters)

Fan Size	Inlet Size	Primary CFM (L/s)	Sec. CFM @ .25" E.S.P. (L/s)	Fan H.P.	Outlet		C	Inlet		E	G	H	J	K	L	M
					A	B		D	D							
H	14	3200 (1510)	3200 (1510)	1 (2)	36-1/4 (921)	17-1/2 (445)	41-1/2 (1054)	13-7/8 (352)	30 (762)	56 (1422)	17-3/4 (451)	27-7/8 (708)	18-1/4 (463)	6-3/4 (171)	9-3/4 (248)	
J	16	4200 (1982)	4200 (1982)	1 (2)				15-7/8 (403)								

Note: Outlet dimensions refer to the actual opening.