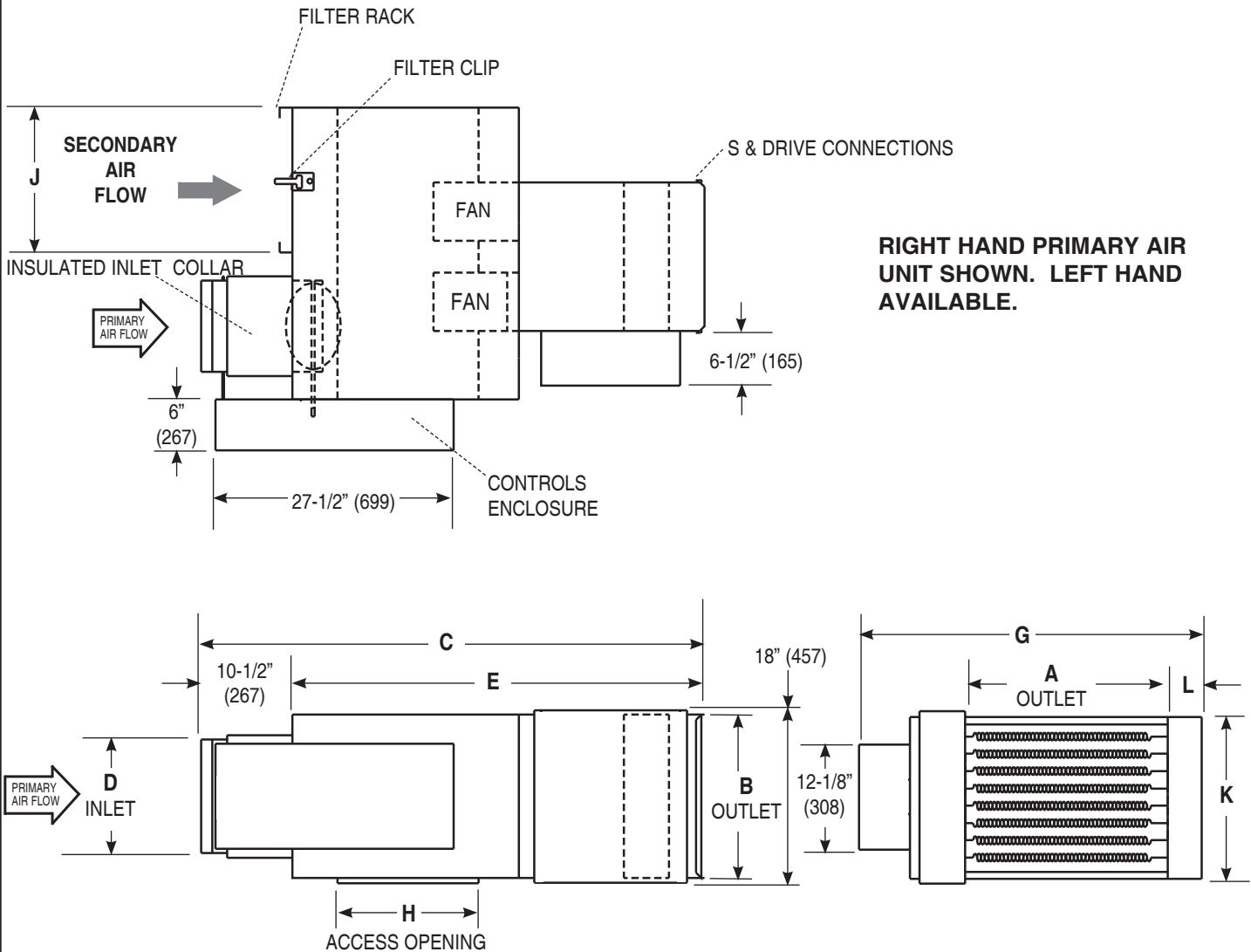


Imperial [IP] Dimensions
Metric (SI) in Parentheses

CARNES COMPANY 448 S. Main St., P. O. Box 930040, Verona, WI 53593-0040 Phone: (608)845-6411 Fax: (608)845-6504 www.carnes.com

FAN SIZES H and J



RIGHT HAND PRIMARY AIR UNIT SHOWN. LEFT HAND AVAILABLE.

DIMENSIONS LISTED IN INCHES (Millimeters)

Fan Size	Inlet Size	Primary CFM (L/s)	Sec. CFM @ .25" E.S.P. (L/s)	Fan H.P. (2)	Outlet		C	Inlet D	E	G	H	J	K	L
					A	B								
H	14	3200 (1510)	3200 (1510)	1 (2)	42 (1067)	18-1/4 (463)	65-3/4 (1670)	13-7/8 (352)	53-1/4 (1353)	56 (1422)	17-3/4 (451)	27-7/8 (708)	18-1/4 (463)	4 (102)
J	16	4200 (1982)	4200 (1982)	1 (2)				15-7/8 (403)						

Note: Outlet is designed for slip and drive duct connection.